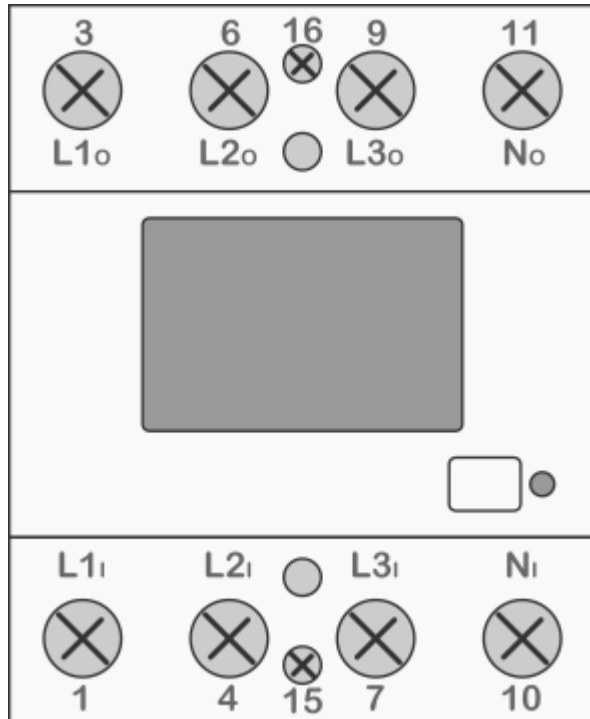


# Three phase power-meter

## Three phase power-meter



Model number:	<b>PM3-I-D</b>
Mounting:	DIN rail, 3M, 53 mm
Dimensions:	53 × 84 × 66 mm

<b>Used for measuring power and energy of</b>	
✓	three-phase energy sources
✓	three-phase energy consumers

## Applications

- Digital multi-function energy meter for or 3-phase sources or consumers

## Features

- Three phase direct connection up to 80 A
- Serial RS485 communication
- Display LCD 7+1 digit
- Multi-functional front LED

## General description

The PM-3-IQ is intended for energy measurements in three-phase electrical power network and can be used in residential, industrial and utility applications. Meter measures energy directly in 4-wire networks according to the principle of fast sampling of voltage and current signals.

Connecting terminals can be sealed up against non-authorized access with protection covers. They are built to be fastened according to EN 60715 standard. Meter has built-in RS485 serial communication with the MOD-BUS protocol which enables data transmission and thus connection of

Last update:

2018/10/22 en:goflex\_hems:hardware:pm3-i-d http://wiki.hiq-home.com/doku.php?id=en:goflex\_hems:hardware:pm3-i-d&rev=1540196482  
08:21

---

the measuring places into the network for the control and management with energy.

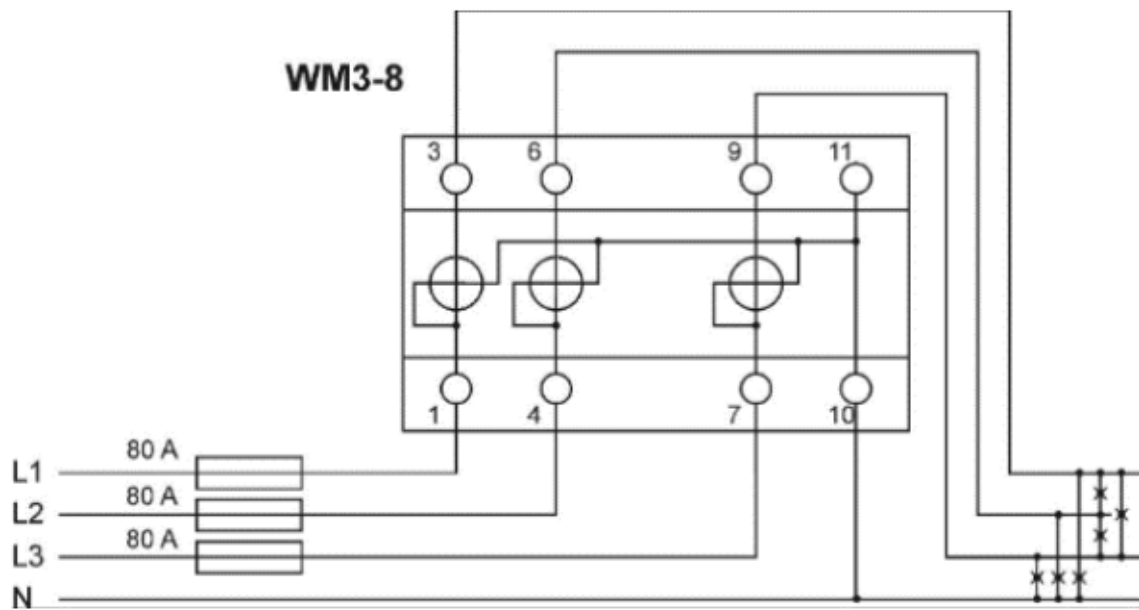
## Technical specifications

Nominal voltage	230 VAC (-20..+15%)
Power connector	2,5 .. 16 mm <sup>2</sup>
Reference current	5 A
Maximum current	80 A
Operational frequency range	50 or 60 Hz
Internal power consumption	< 8 VA
Communication type	RS485(half-duplex)
Communication protocol	Modbus RTU
<b>Accuracy</b>	
Active energy (Wh)	Class 1 IEC 62053-21
	class B EN 50470-3
	±1.5% from Imin to Itr
	±1% from Itr to Imax
<b>Ambient conditions and Safety</b>	
Dust/water protection	IP50
Operating temp. range	-25 ... 55°C
Indoor meter	yes
Protection class	II
<b>EC Directives conformity</b>	
EC Directive on Measuring Instruments 2014/32/EU	
EC Directive on EMC 2014/30/EU	
EC Directive on Low Voltage 2014/35/EU	
EC Directive WEEE 2002/96/EC	

## Terminals

PM3-I-D			Power source
Phase 1 IN	L1 ↑	1	L1
Phase 2 IN	L2 ↑	4	L2
Phase 3 IN	L3 ↑	7	L3
Neutral	N	10	N
PM3-I-D			Power consumer
Phase 1 OUT	L1 ↑	3	L1
Phase 2 OUT	L2 ↑	6	L2
Phase 3 OUT	L3 ↑	9	L3
Neutral	N	11	N
PM3-I-D CAD-232-A2-IQ BR-WN-W			
RS485	16	A	Rx/T+
	15	B	Tx/T-

## Connection



## Manual

### PM3-I-D Technical Documentation

From:  
<http://wiki.hiq-home.com/> -

Permanent link:  
[http://wiki.hiq-home.com/doku.php?id=en:goflex\\_hems:hardware:pm3-i-d&rev=1540196482](http://wiki.hiq-home.com/doku.php?id=en:goflex_hems:hardware:pm3-i-d&rev=1540196482)

Last update: **2018/10/22 08:21**

