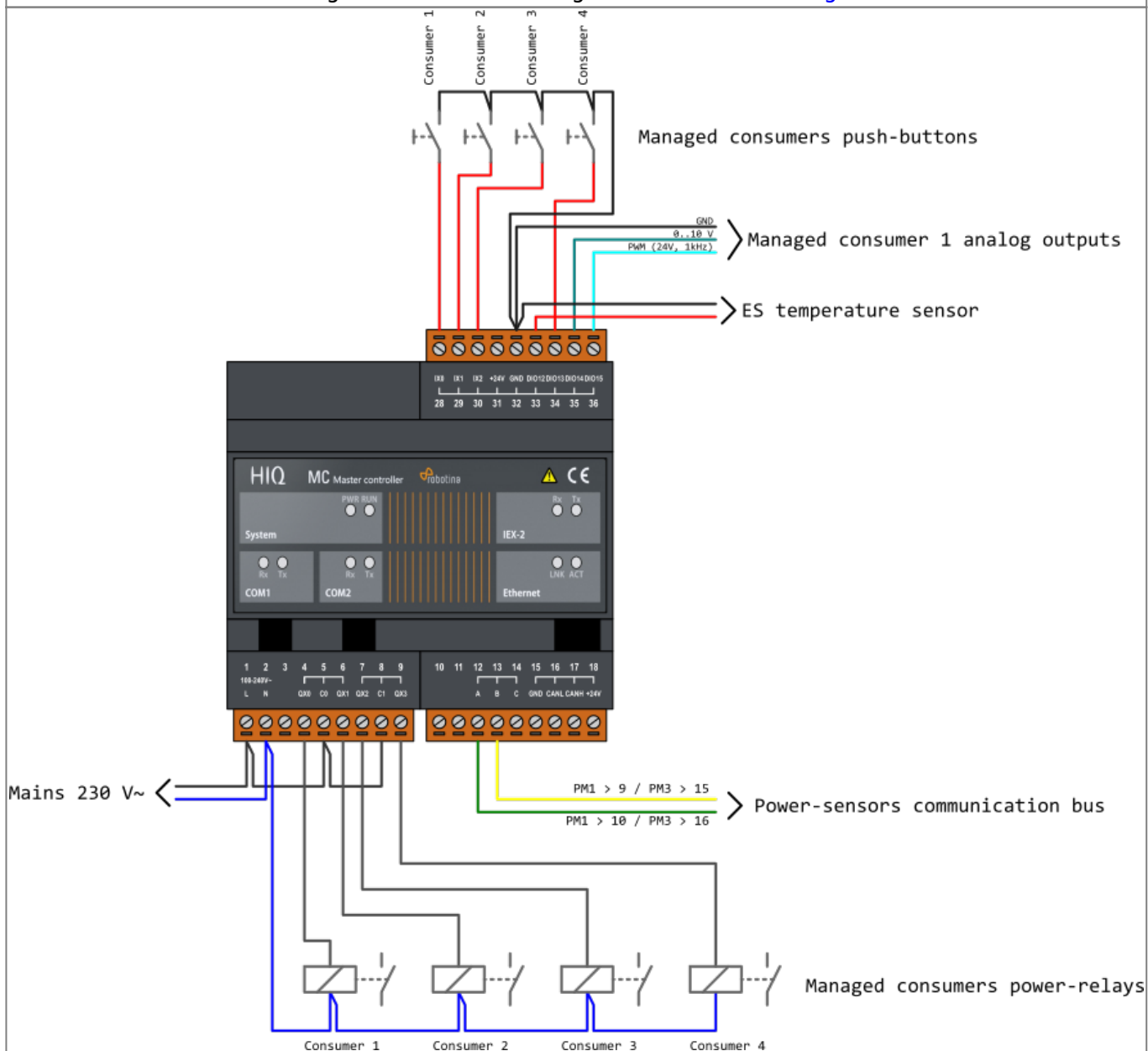


HEMS v1.2.0 wiring

MC-230

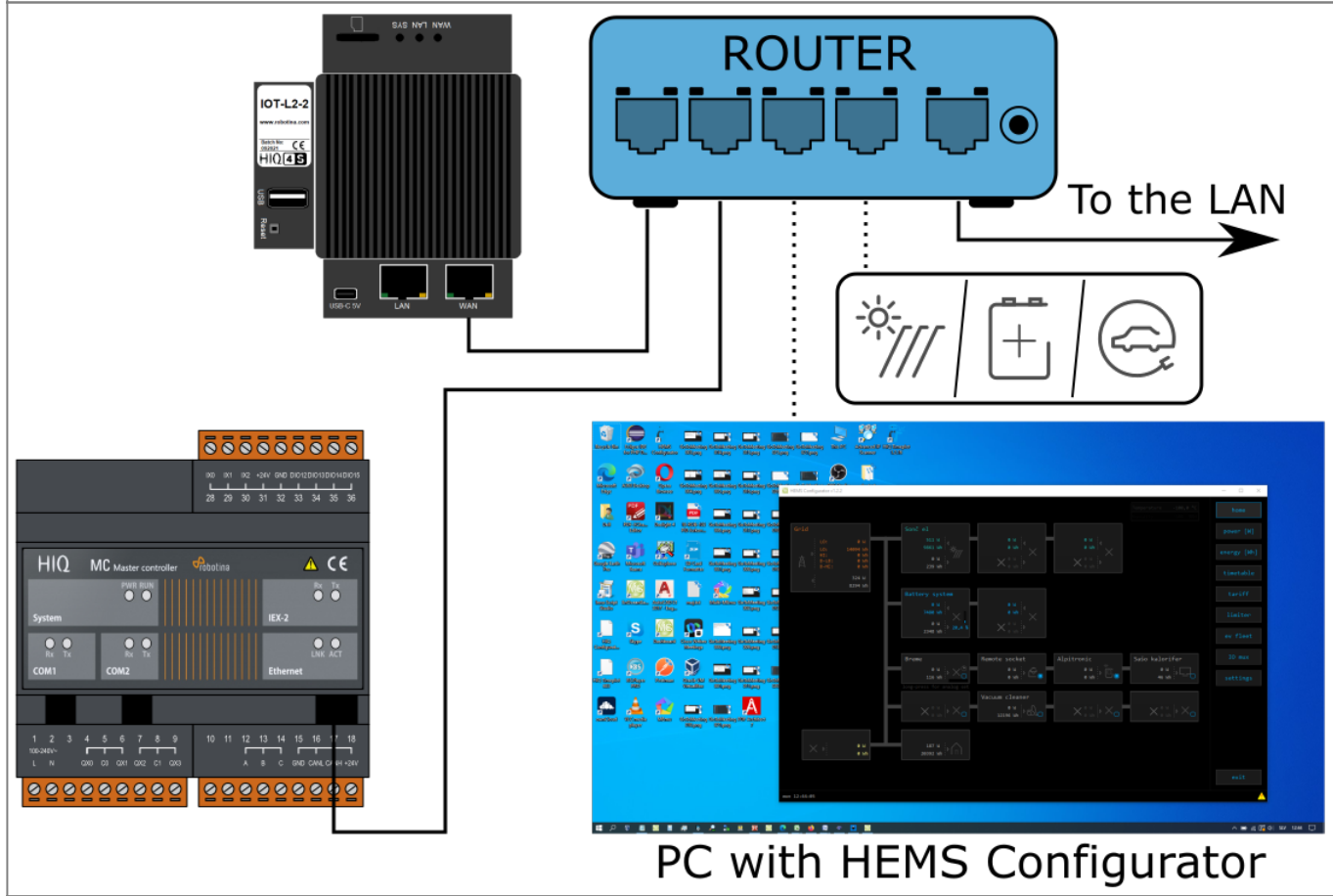
Wiring of default configuration.

NOTE: several different configurations can be configured with [HEMS Configurator](#).

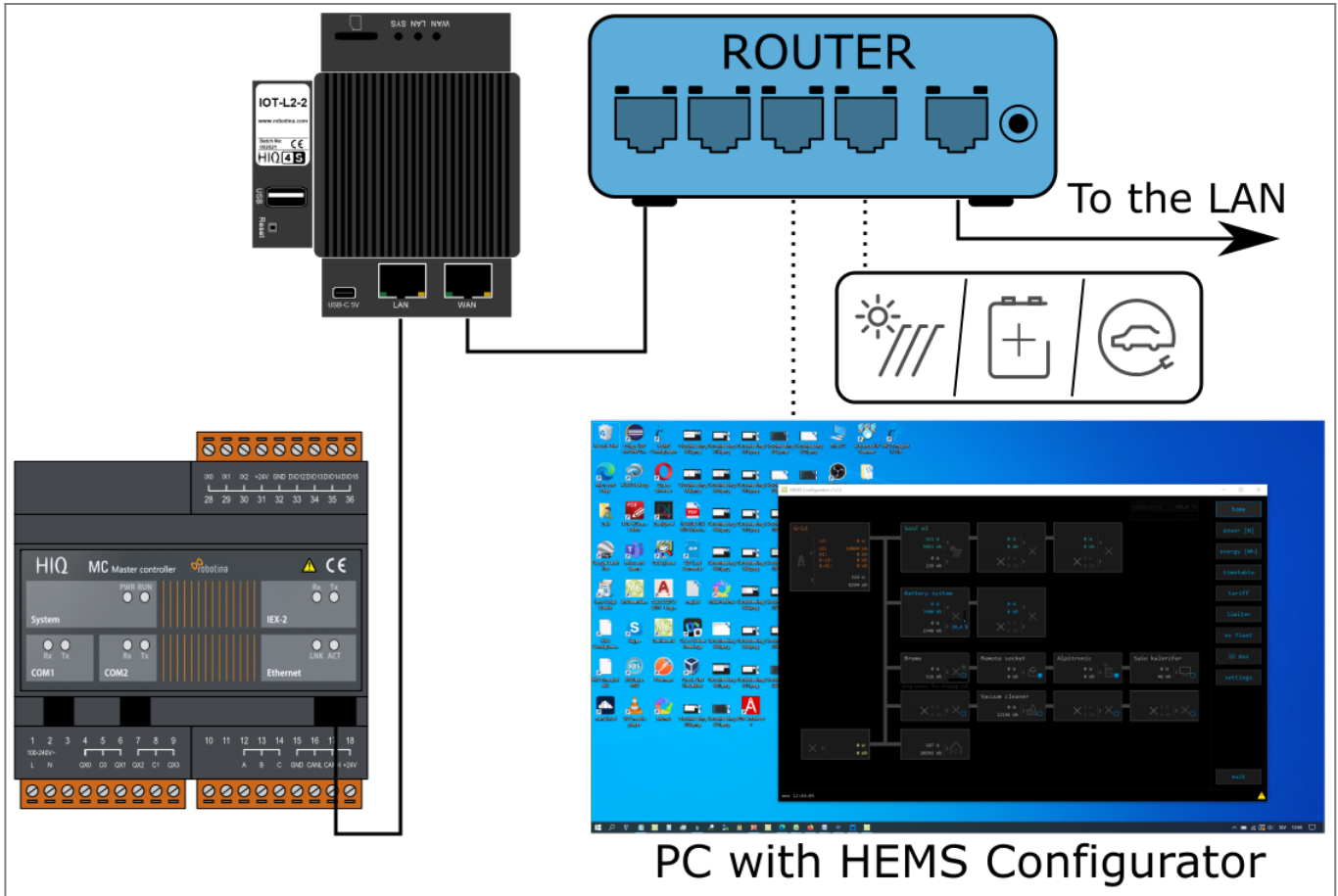


Network → MC-230, IOT-L2-2 and optionally 4G modem

Default connection to the LAN:



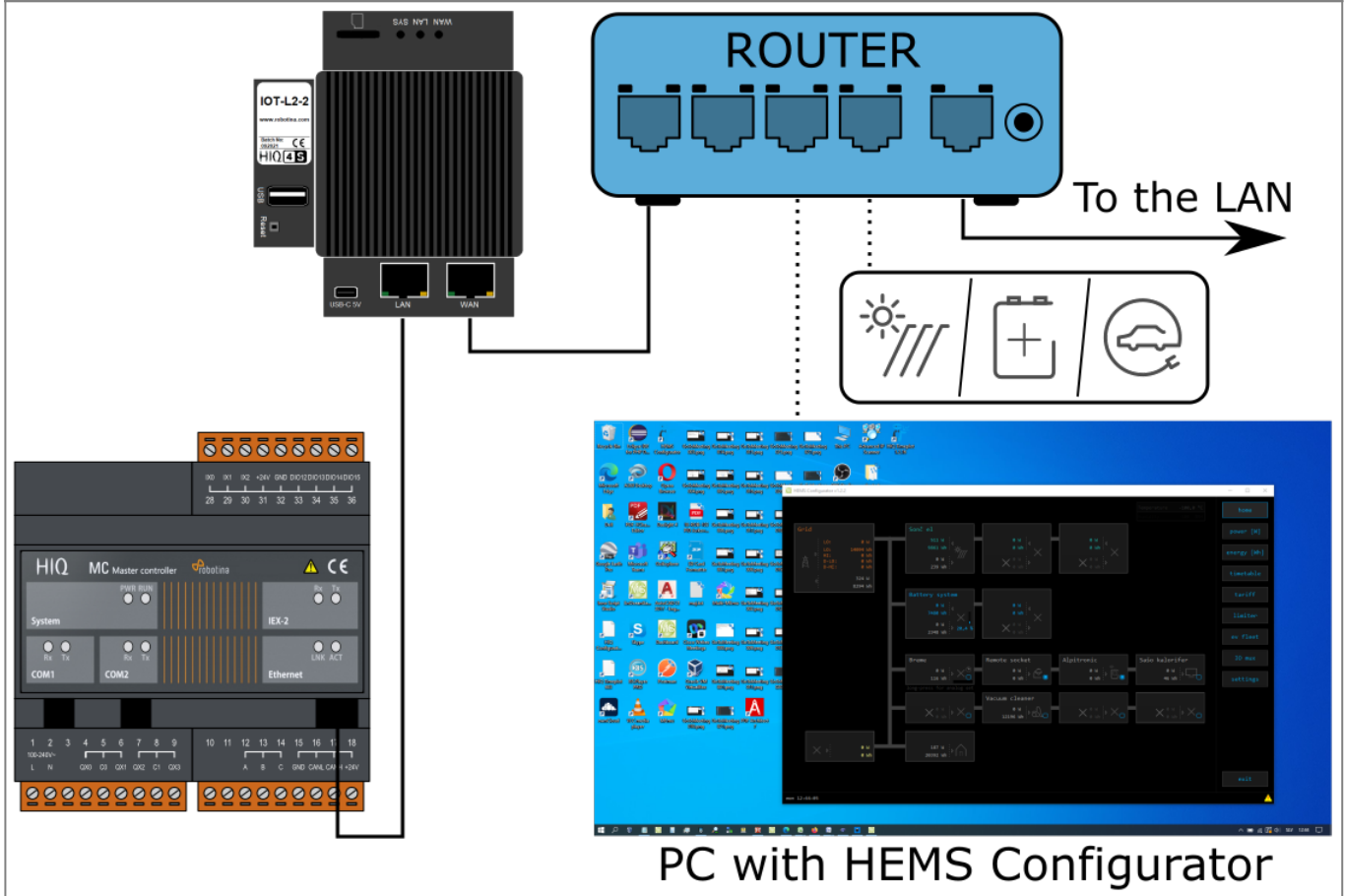
Default connection via 4G modem:



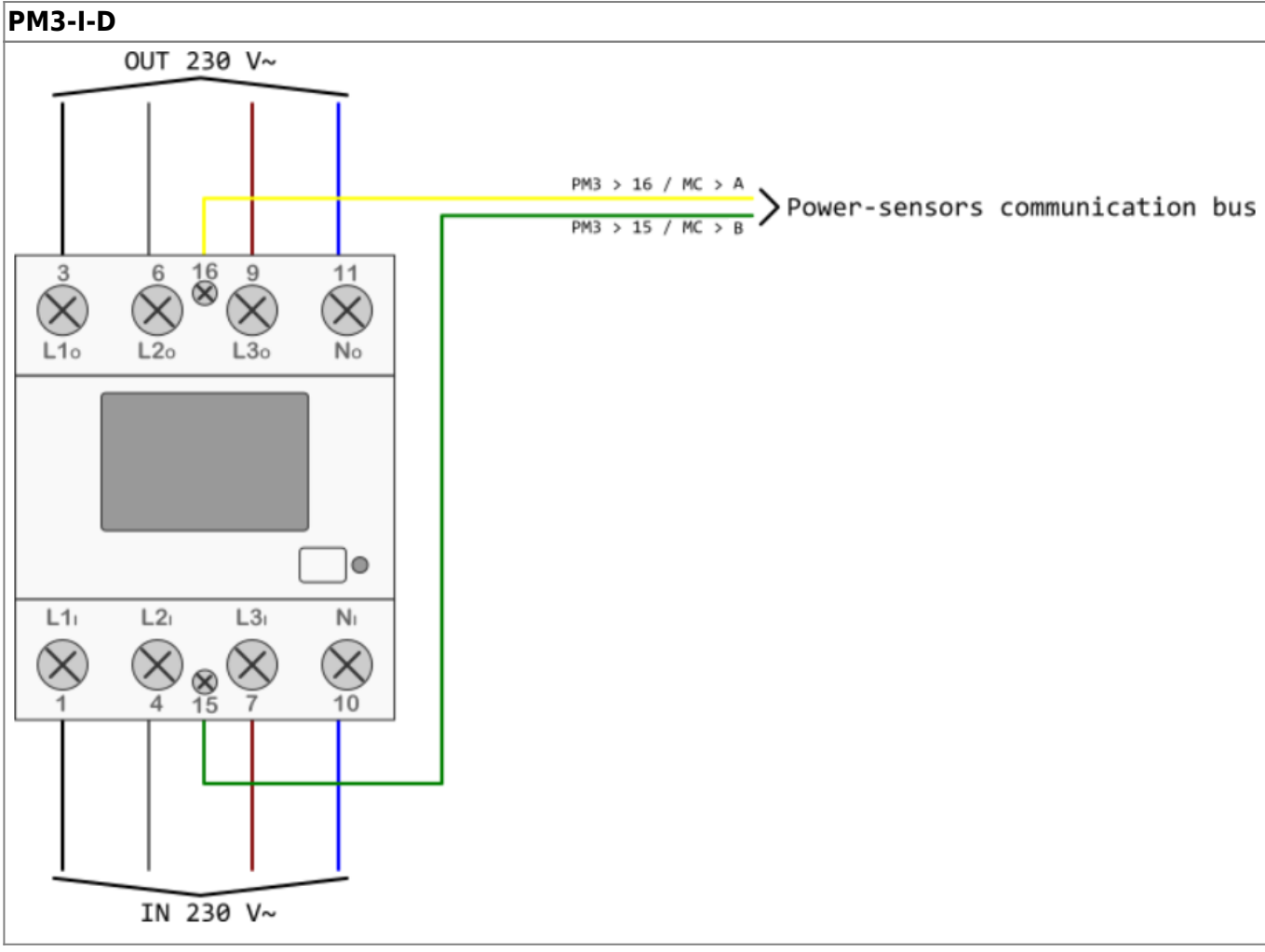
PC with HEMS Configurator

Optional connection to the LAN:

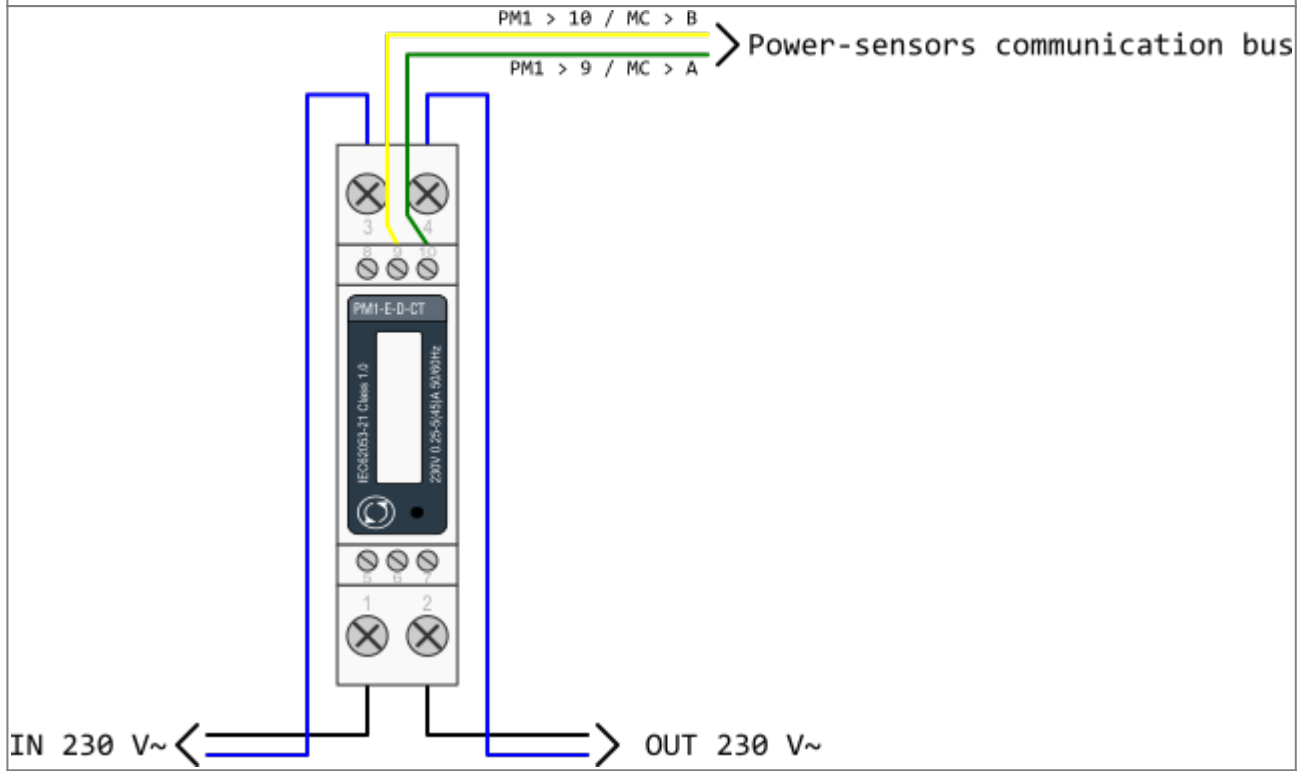
NOTE: optional connection has to be configured on the cloud service. Please contact [support](#). The same applies to specific network requirements, i.e. static IP.

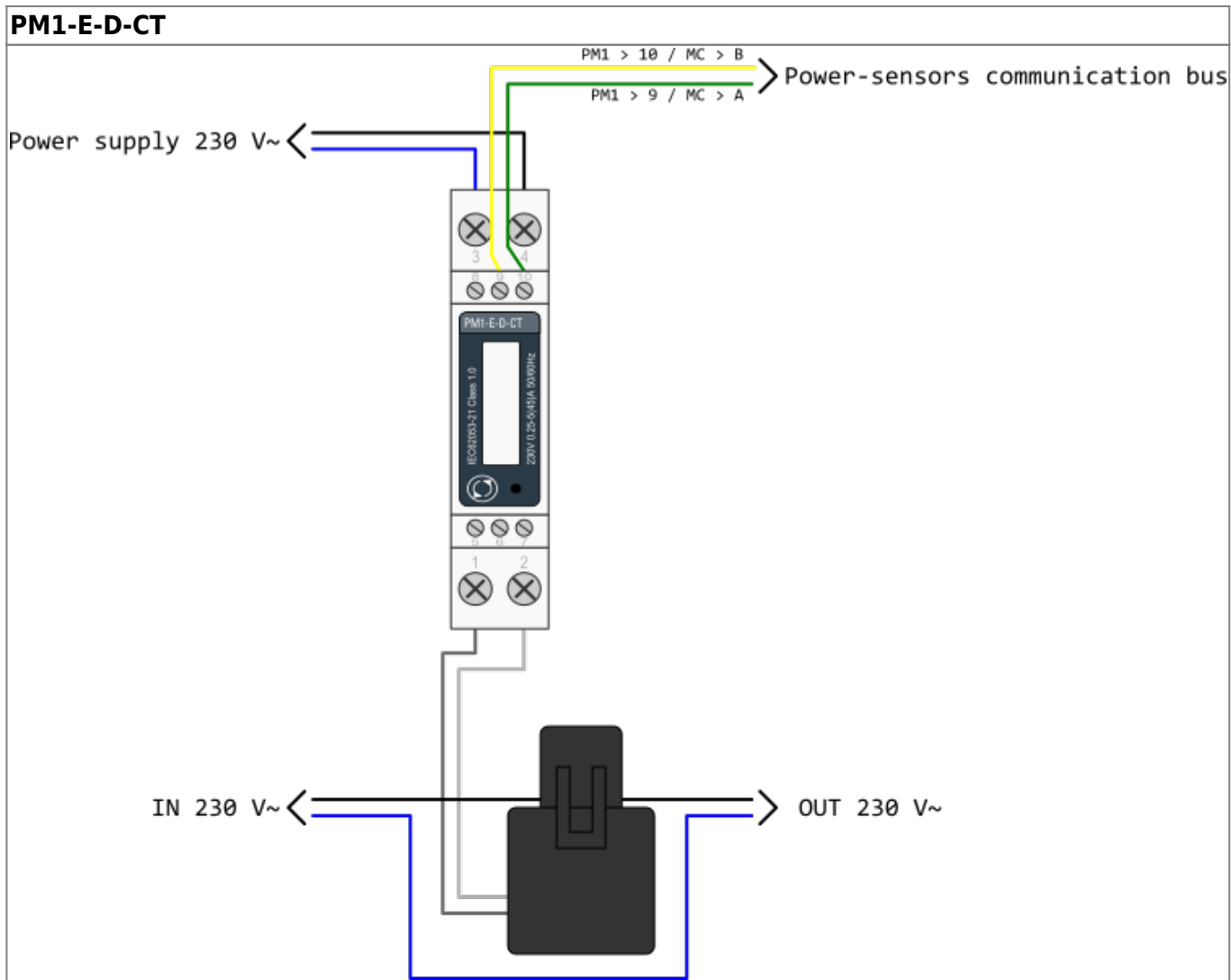


PC with HEMS Configurator

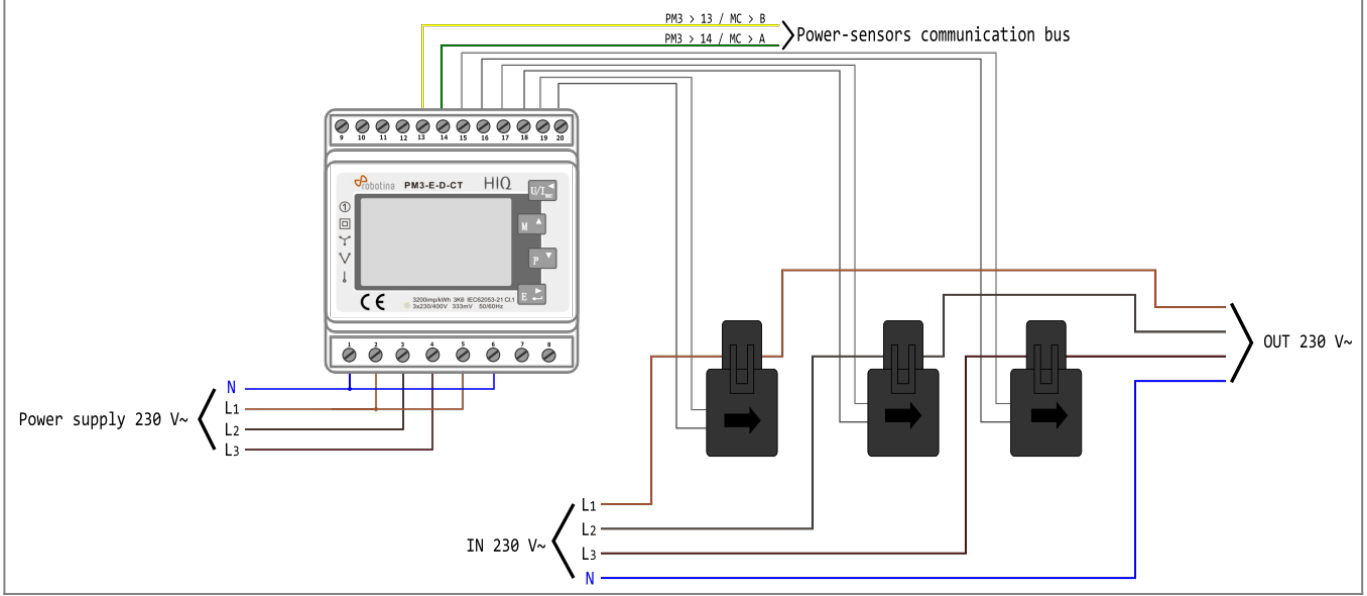


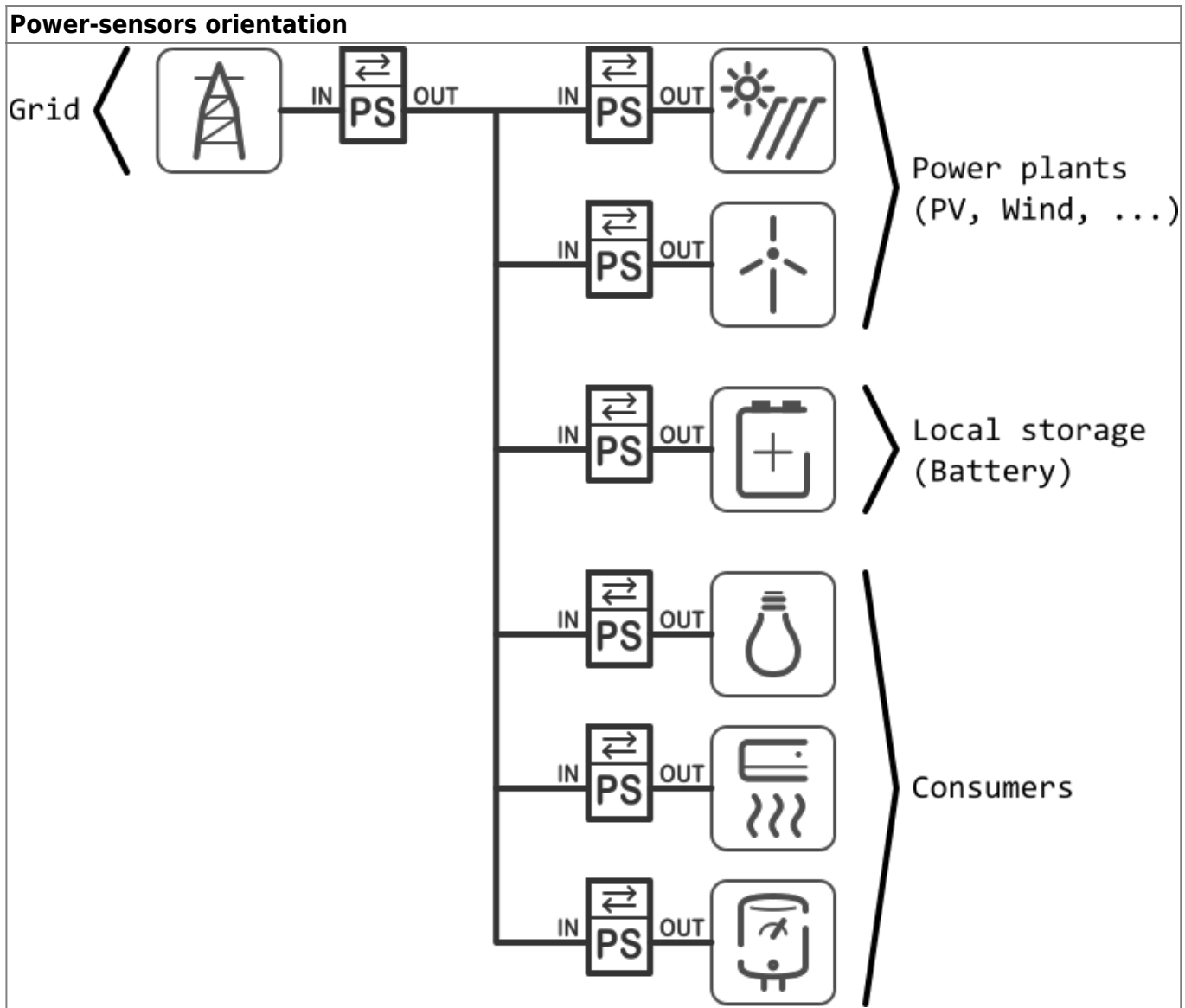
PM1-E-D





PM3-E-D-CT





From: <http://wiki.hiq-home.com/> -

Permanent link: http://wiki.hiq-home.com/doku.php?id=en:hems_v1_2_0:methods_resources:wiring&rev=1632149468

Last update: 2021/09/20 14:51

