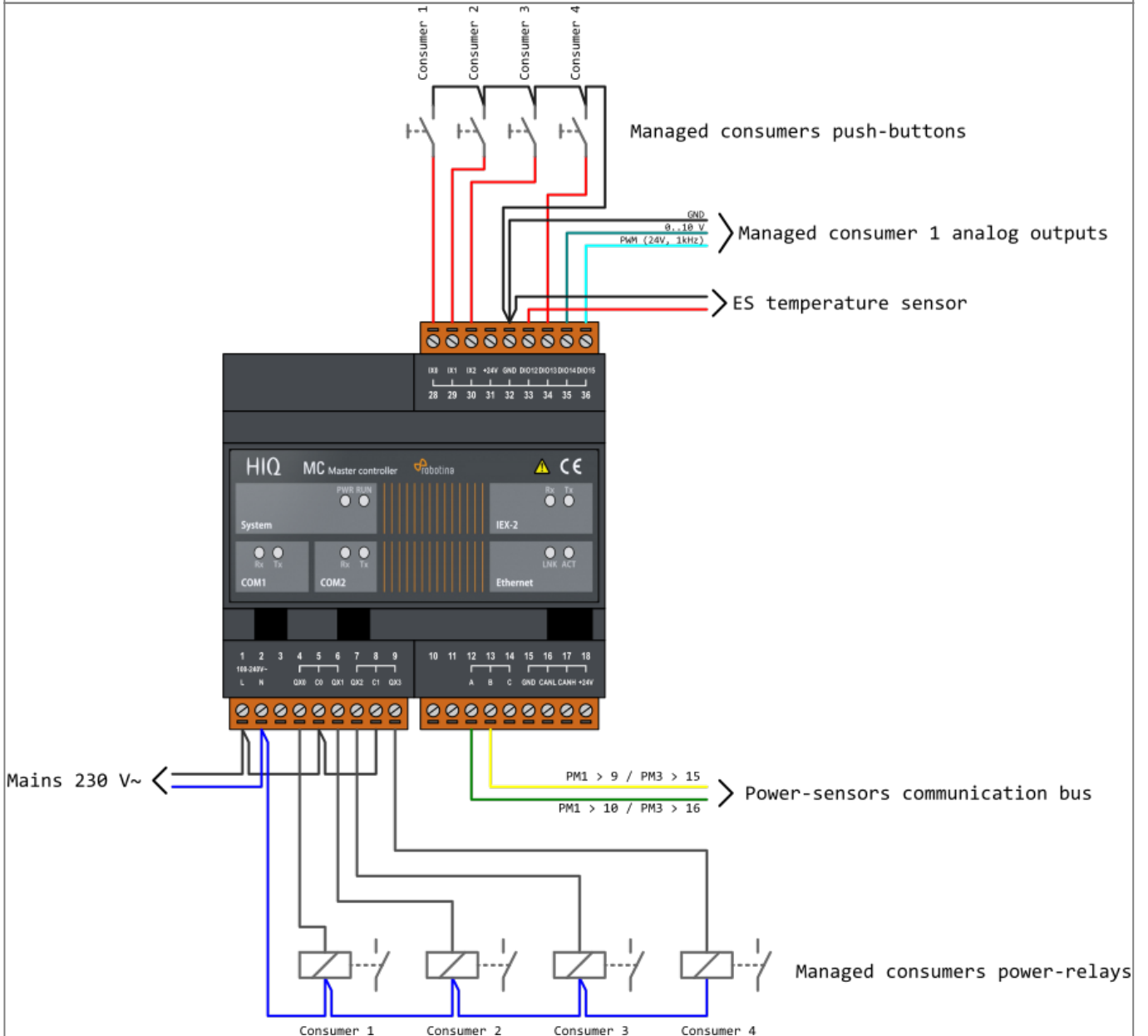


# HEMS v1.2.0 wiring

## MC-230

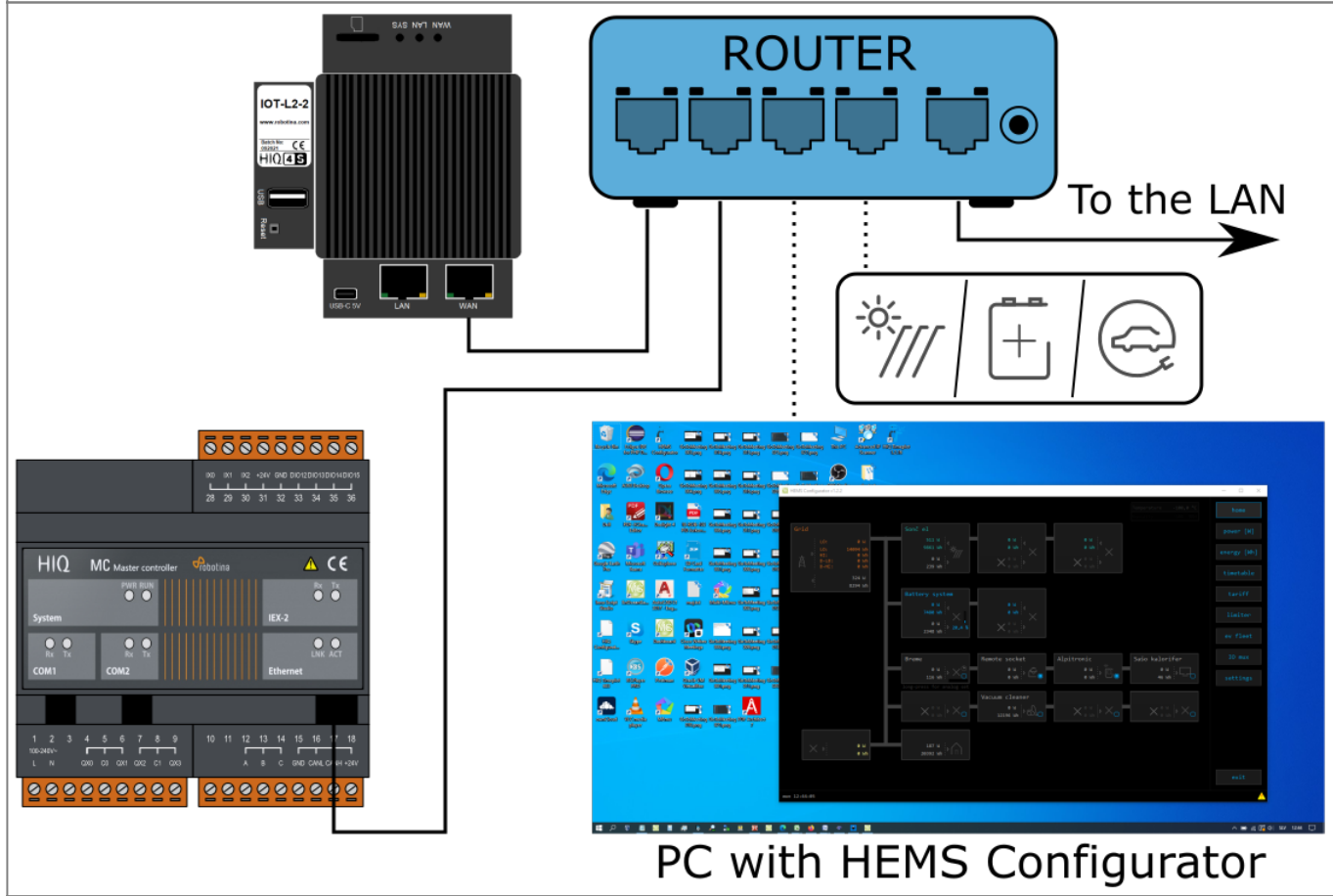
Wiring of default configuration.

NOTE: several different configurations can be configured with [HEMS Configurator](#).

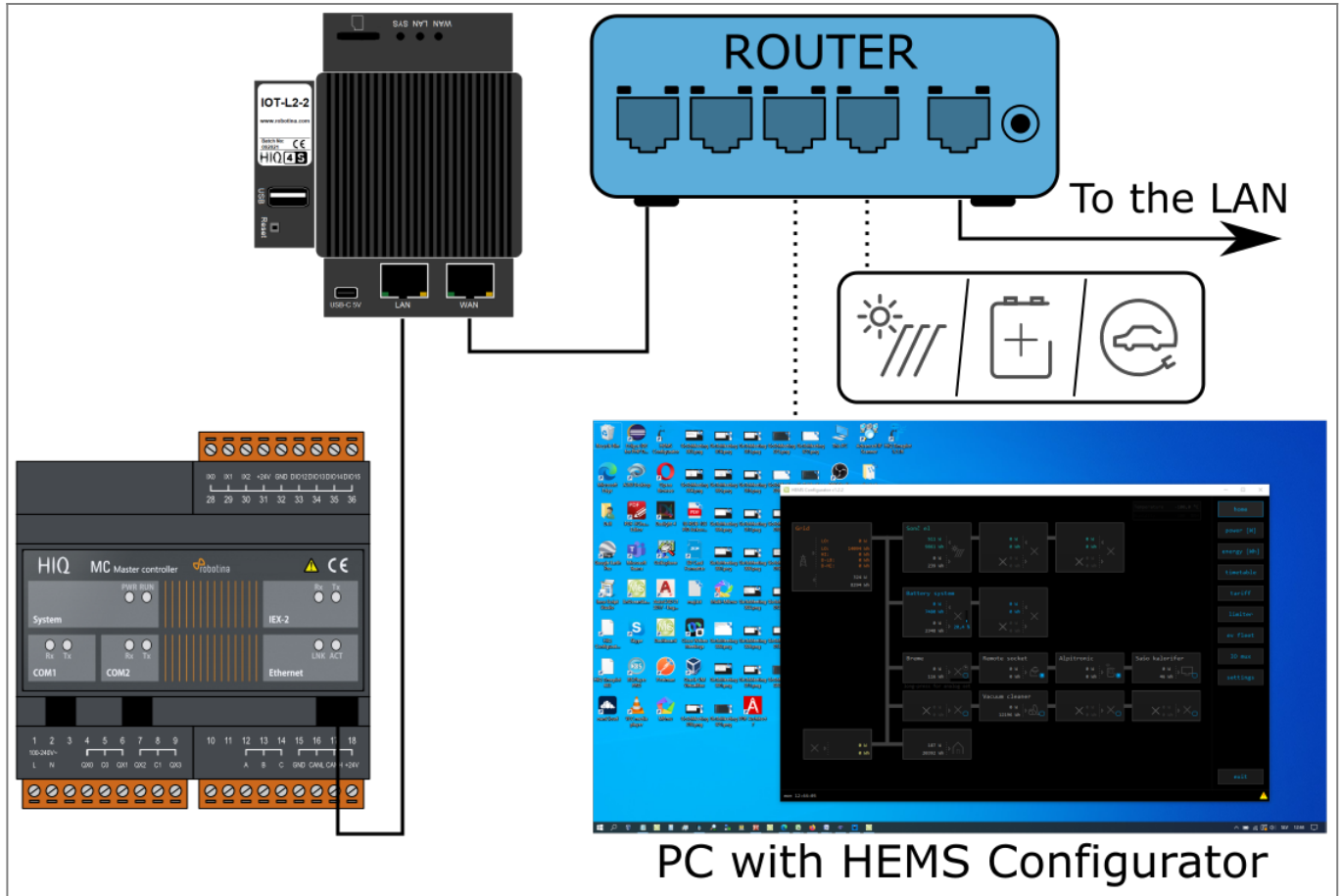


### Network → MC-230, IOT-L2-2 and optionally 4G modem

Default connection to the LAN:

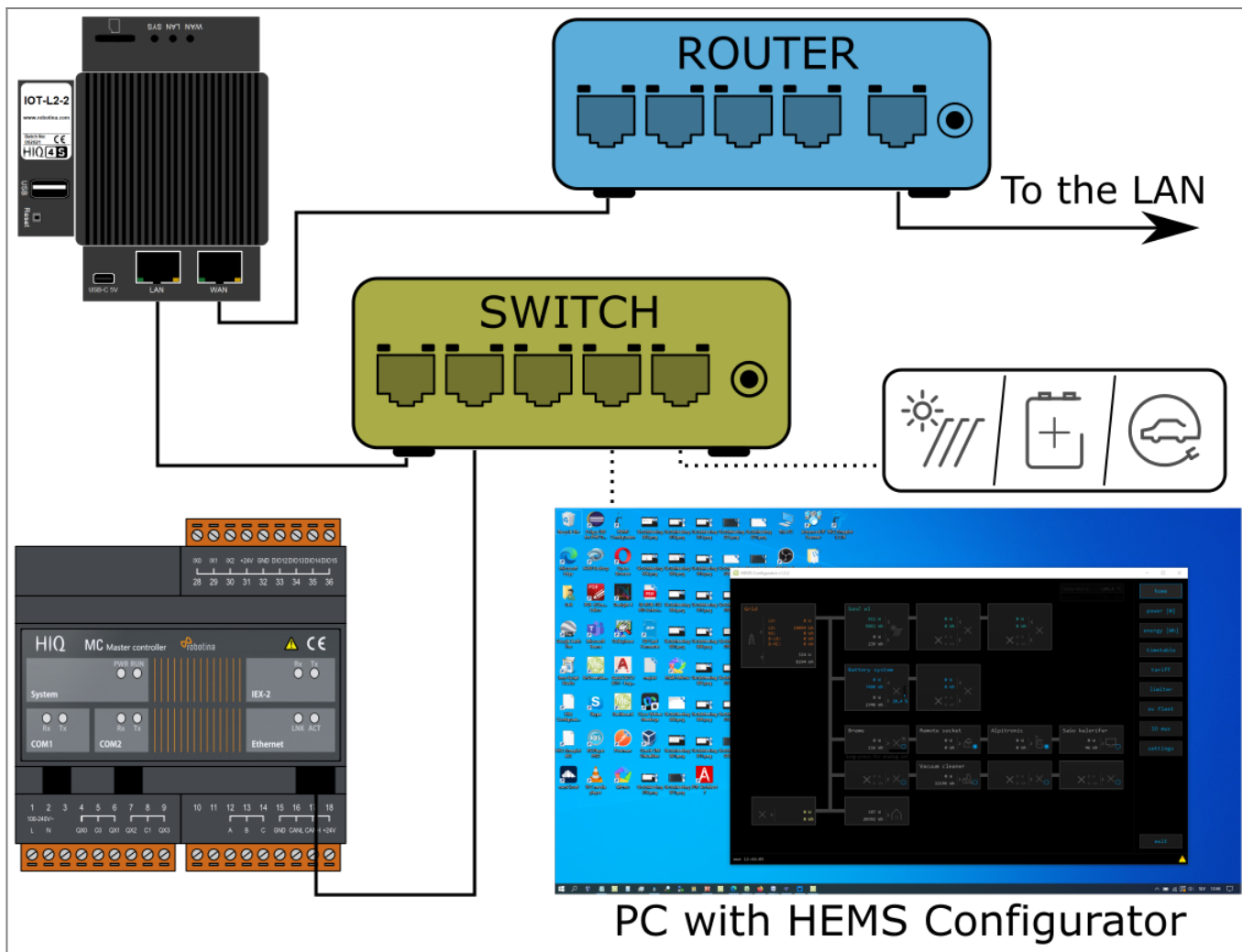


Default connection via 4G modem:

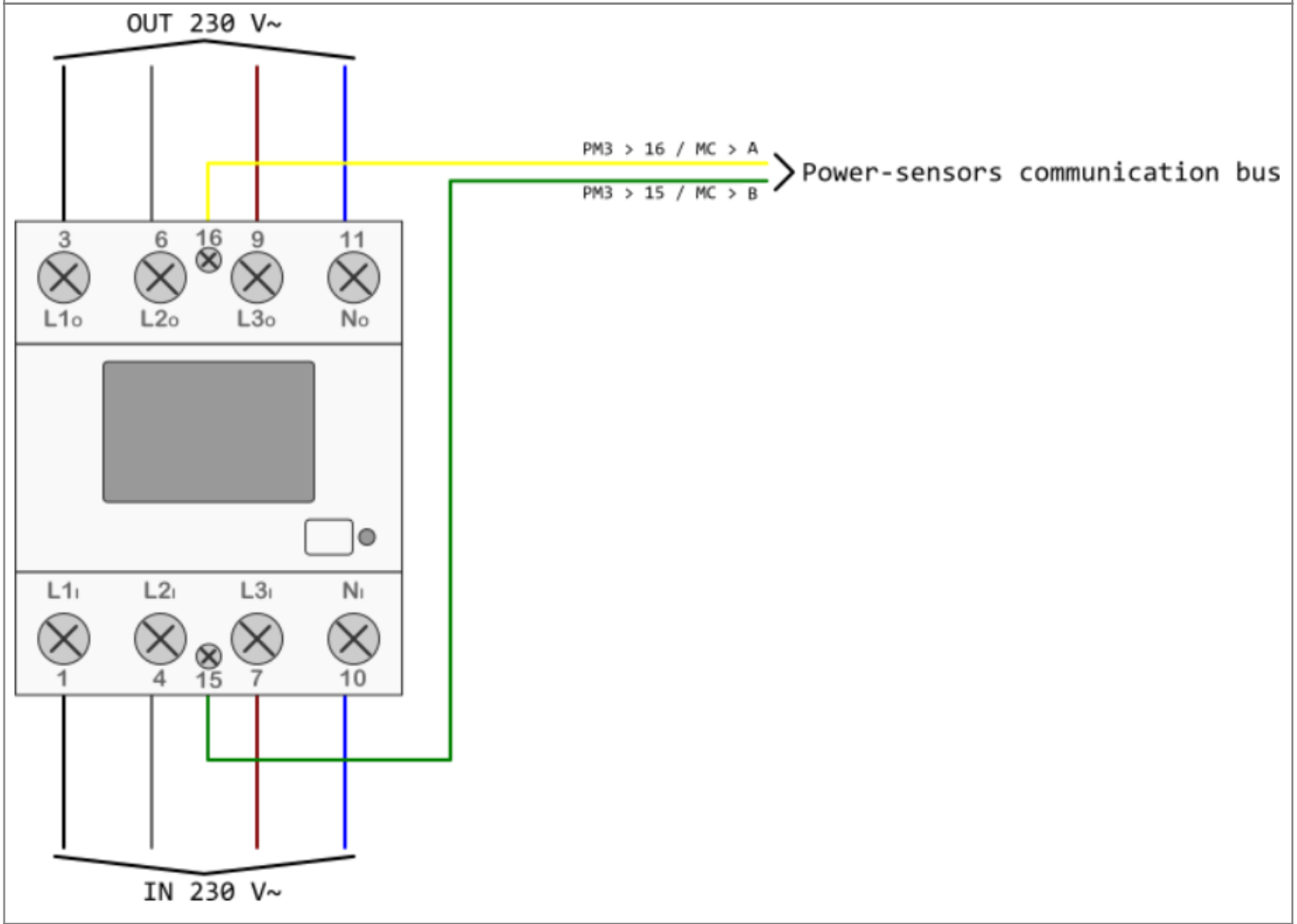


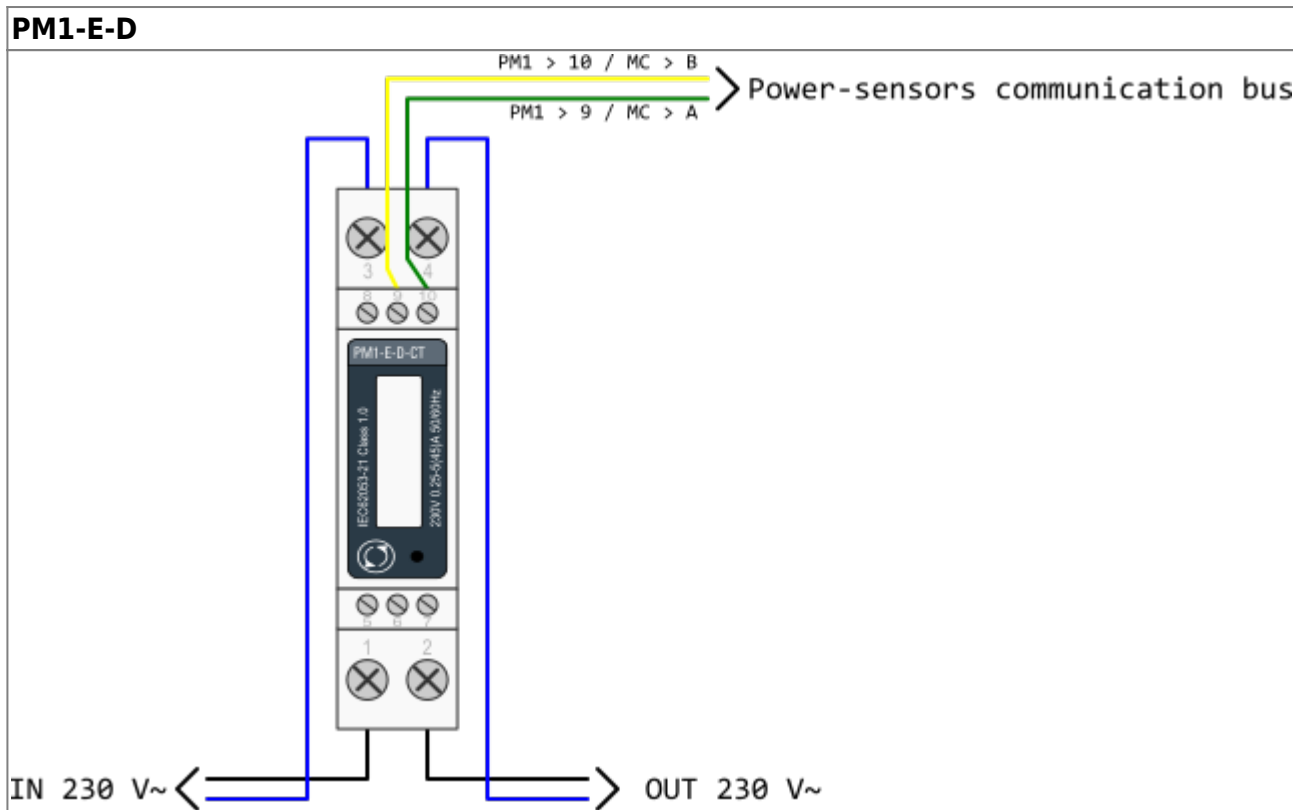
Optional connection to the LAN:

NOTE: optional connection has to be configured on the cloud service. Please contact [support](#). The same applies to specific network requirements, i.e. static IP.

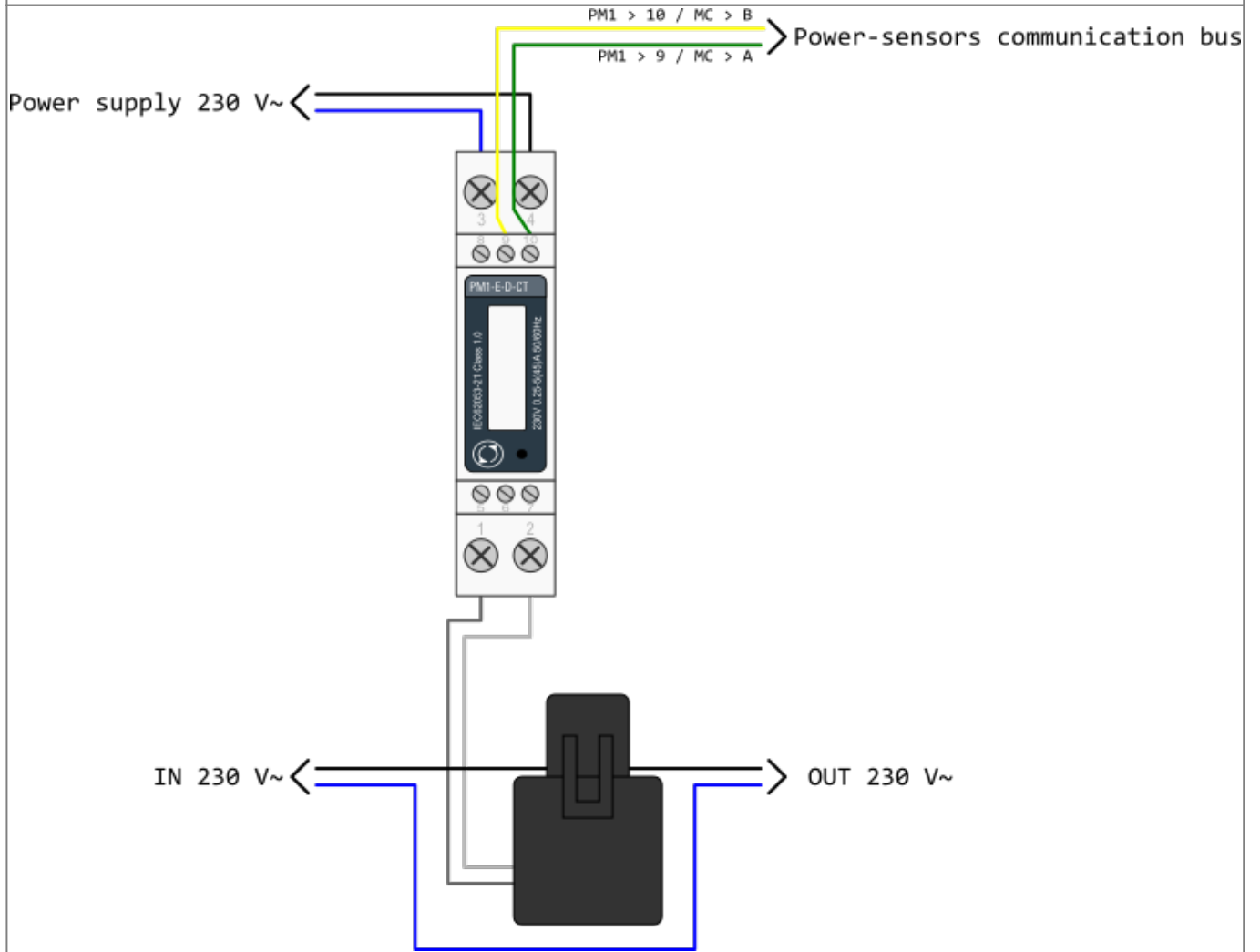


**PM3-I-D**

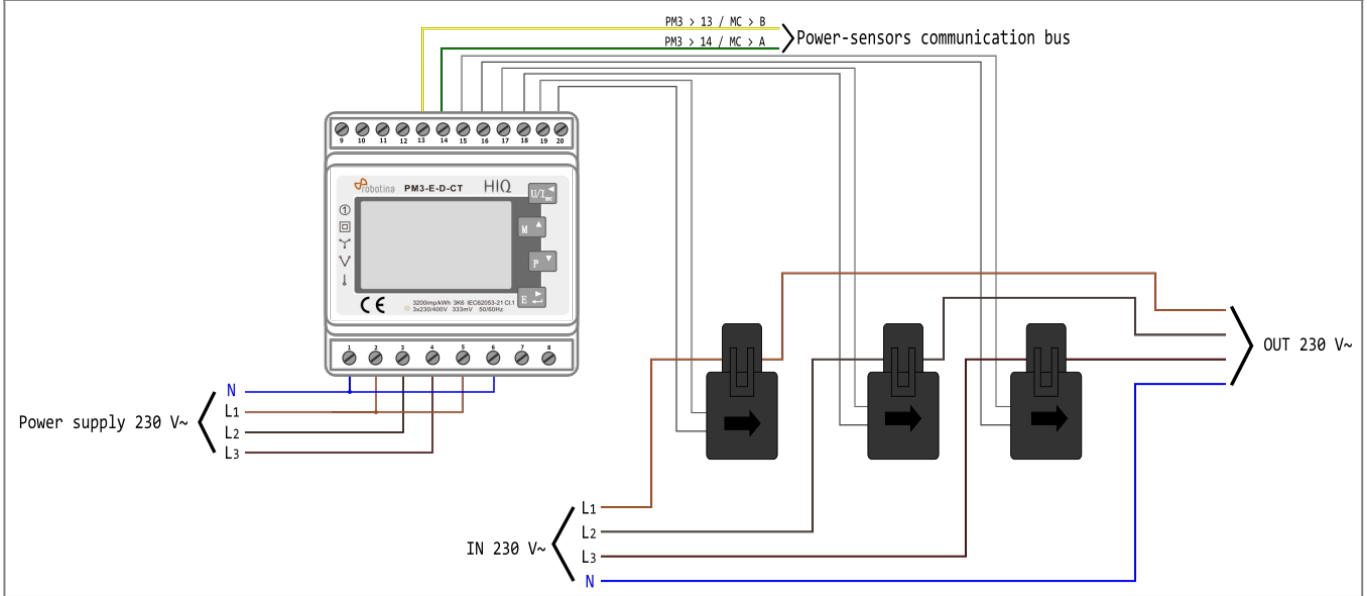


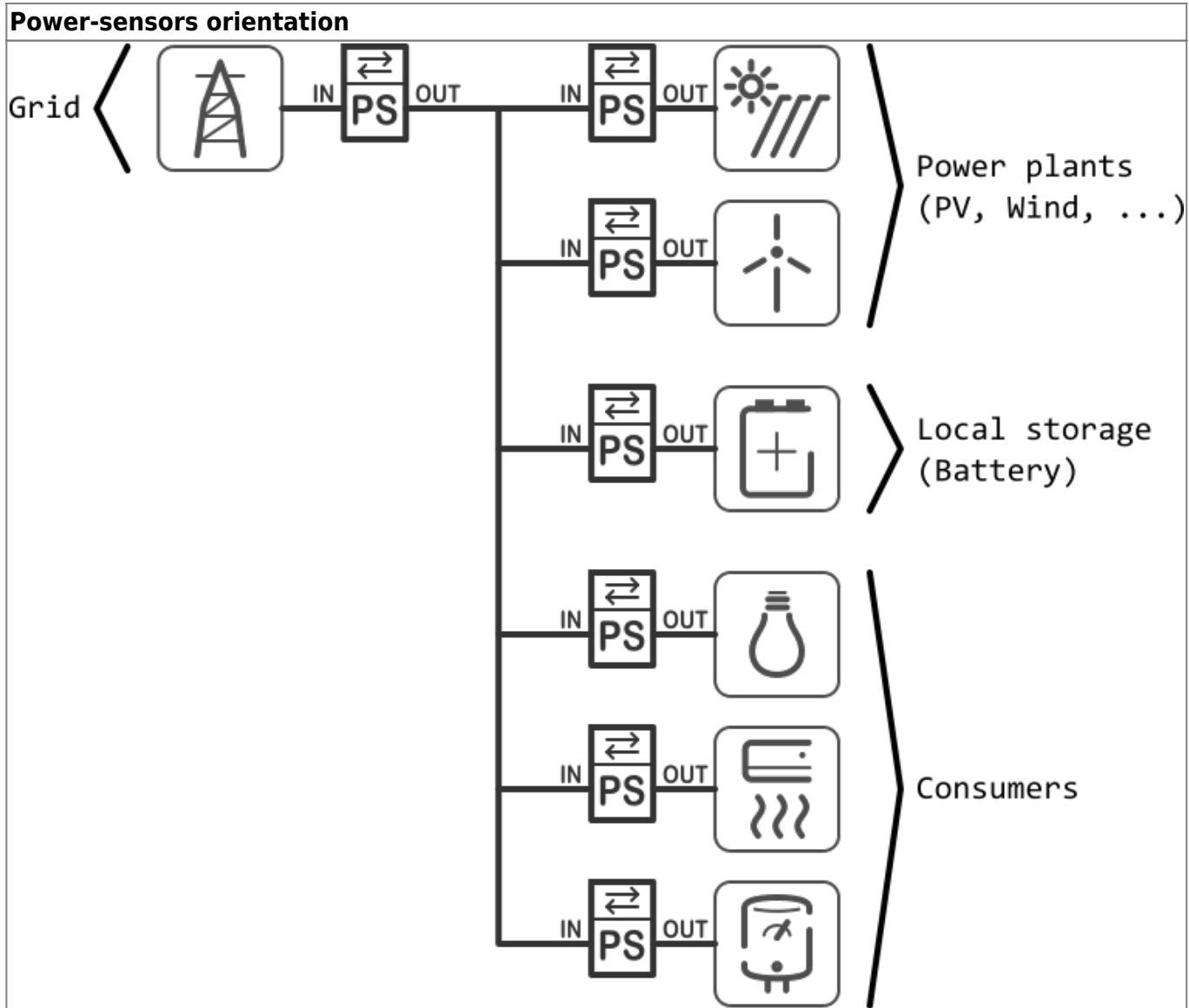


### PM1-E-D-CT



### PM3-E-D-CT





From: <http://wiki.hiq-home.com/> -

Permanent link: [http://wiki.hiq-home.com/doku.php?id=en:hems\\_v1\\_2\\_0:methods\\_resources:wiring&rev=1632150560](http://wiki.hiq-home.com/doku.php?id=en:hems_v1_2_0:methods_resources:wiring&rev=1632150560)

Last update: 2021/09/20 15:09

