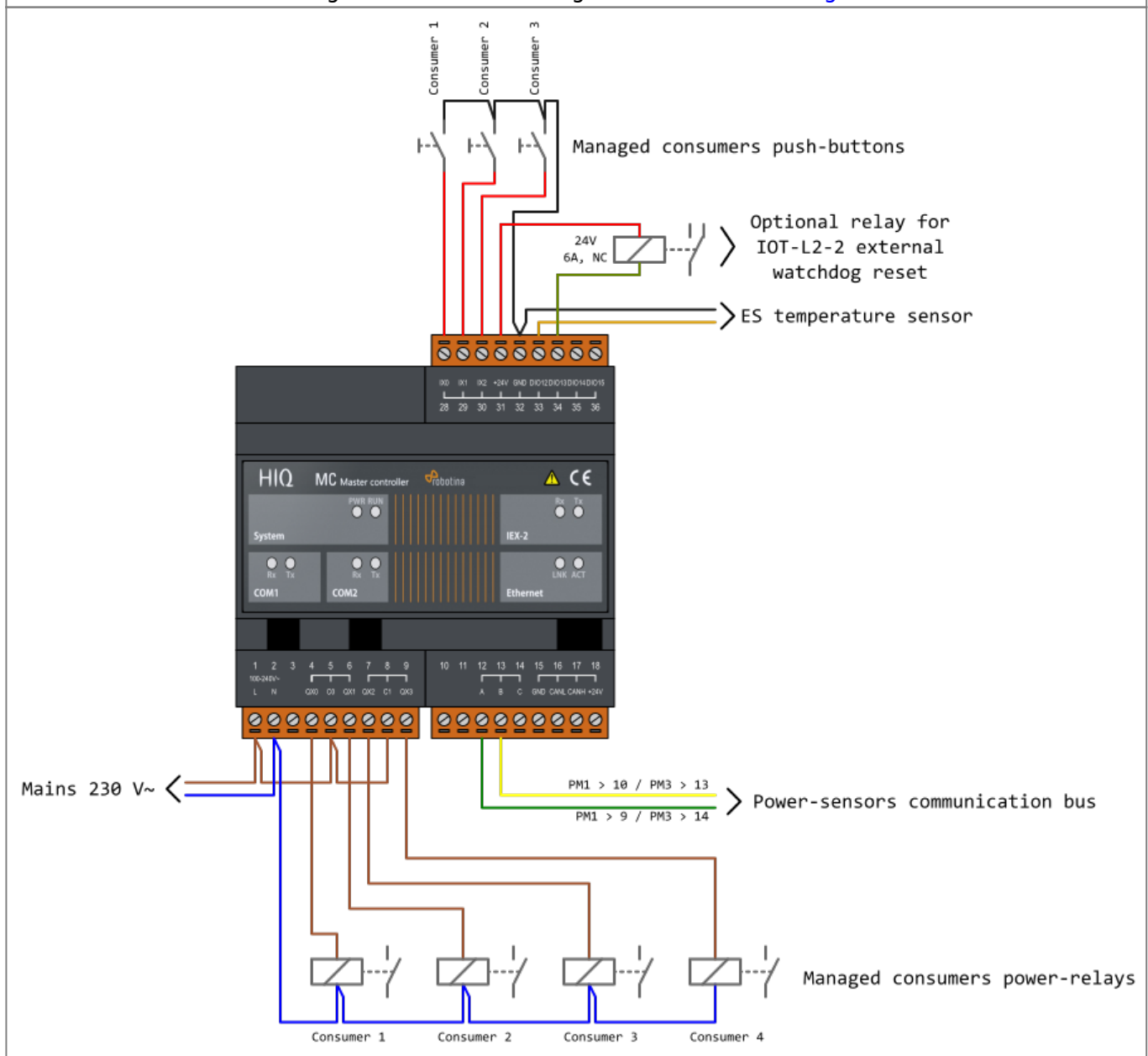


# HEMS v1.2.0 wiring

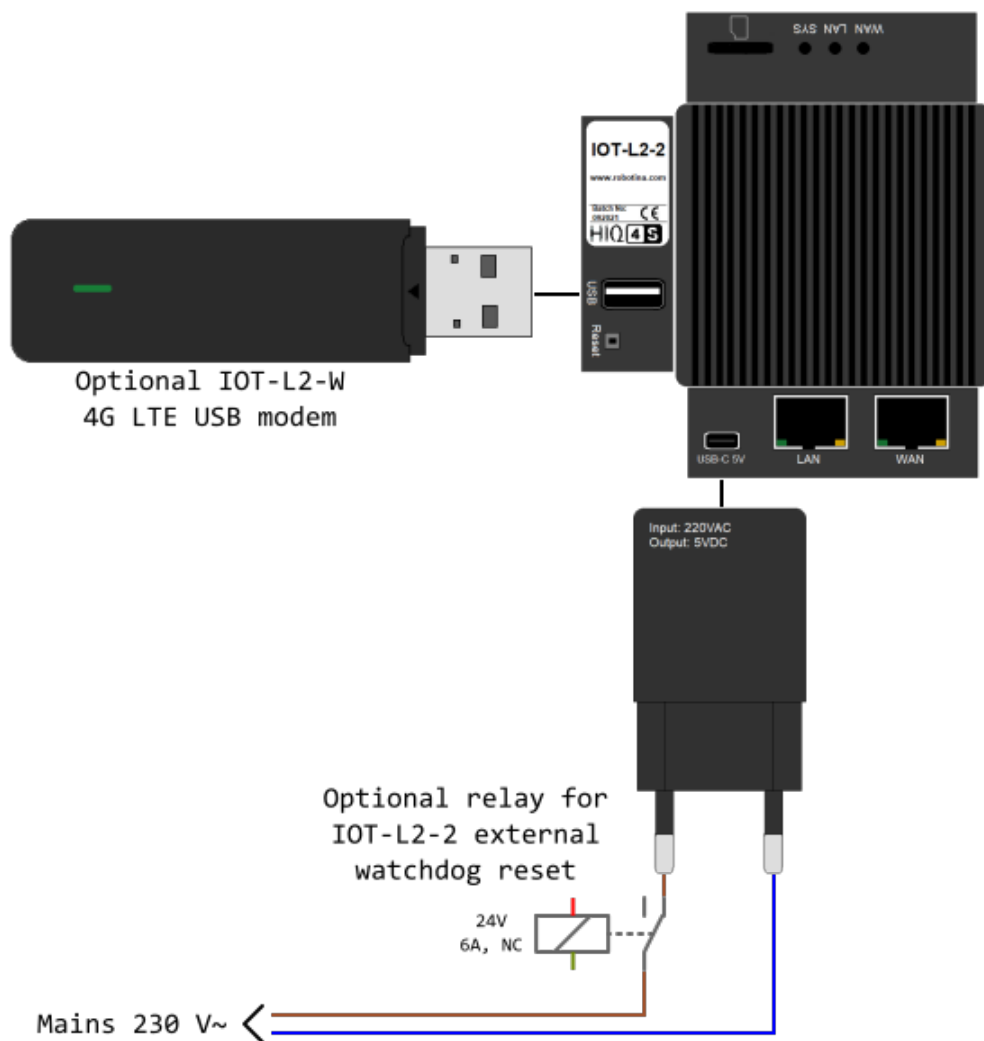
## MC-230

Wiring of default configuration.

NOTE: several different configurations can be configured with [HEMS Configurator](#).

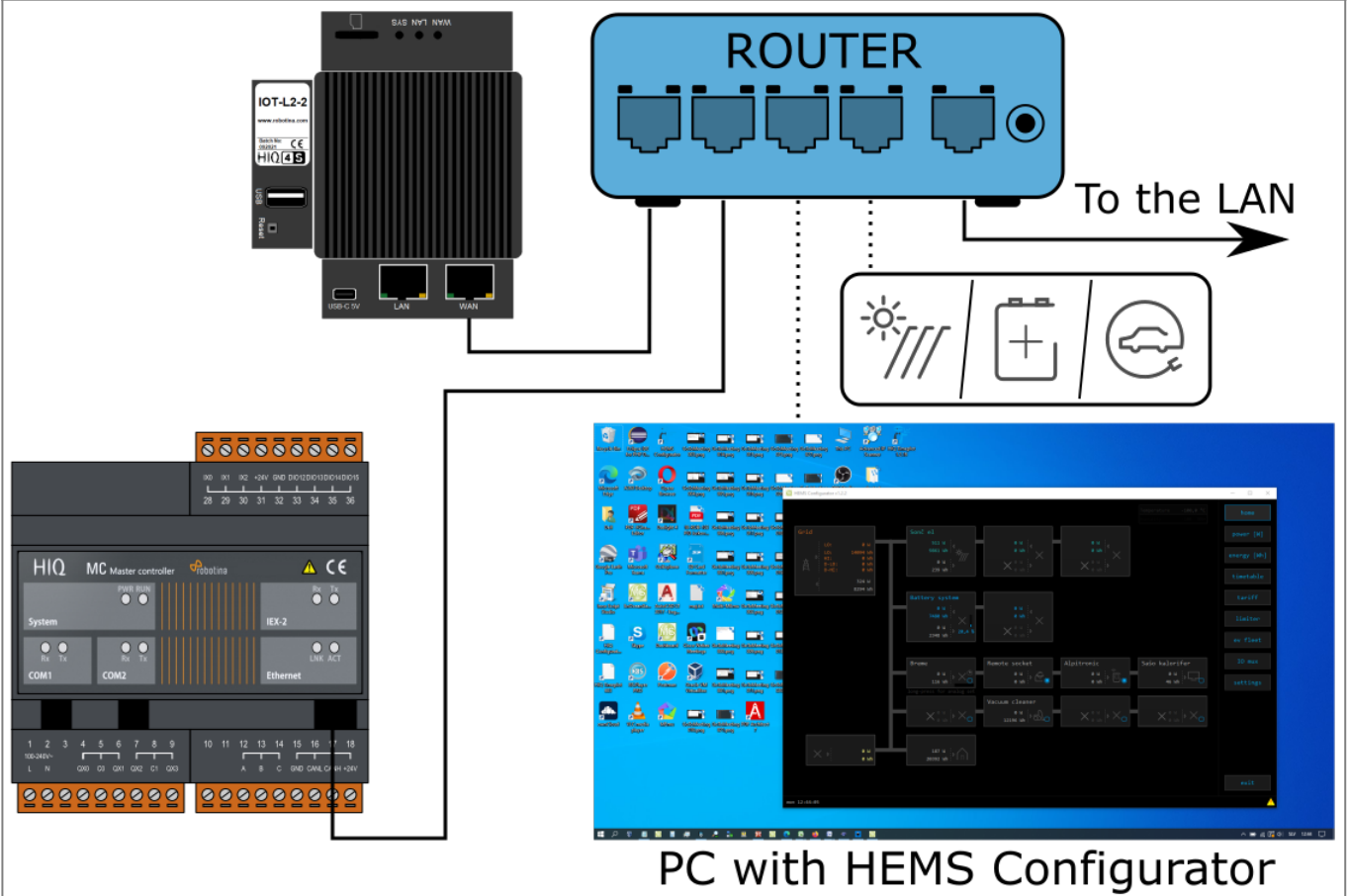


## IOT-L2-2

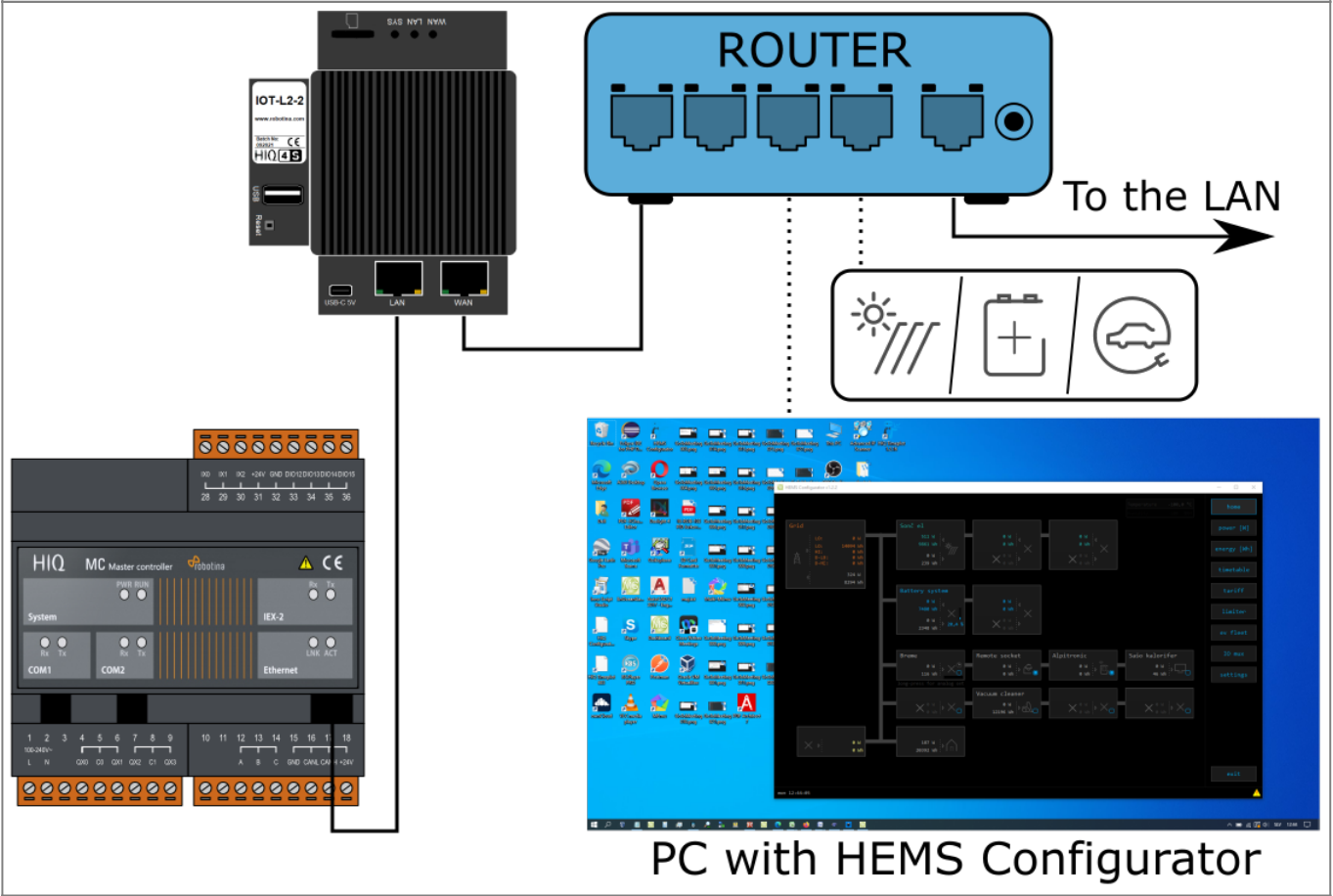


### Network → MC-230, IOT-L2-2 and optionally 4G LTE modem

Default connection to the LAN:

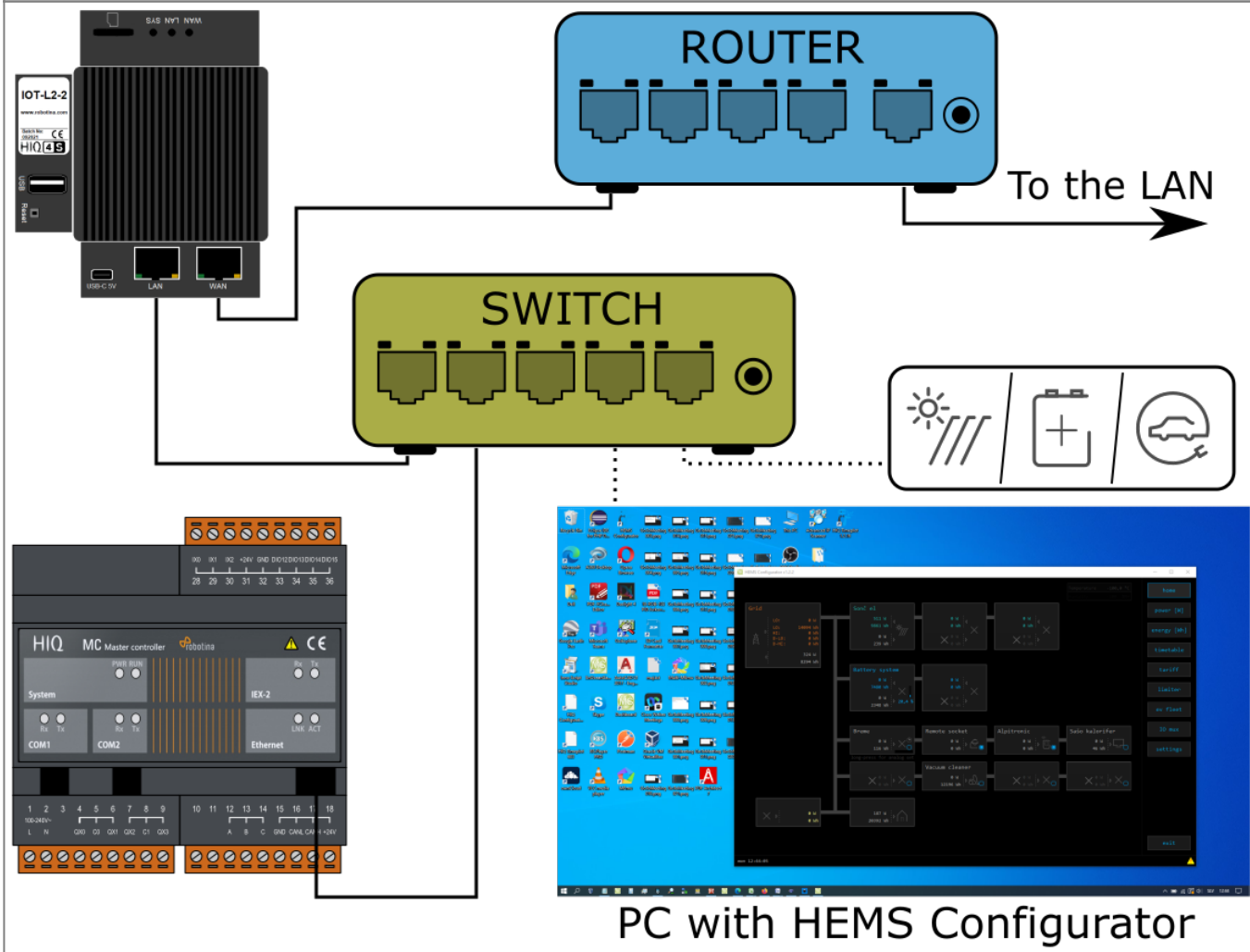


Default connection via 4G LTE modem:

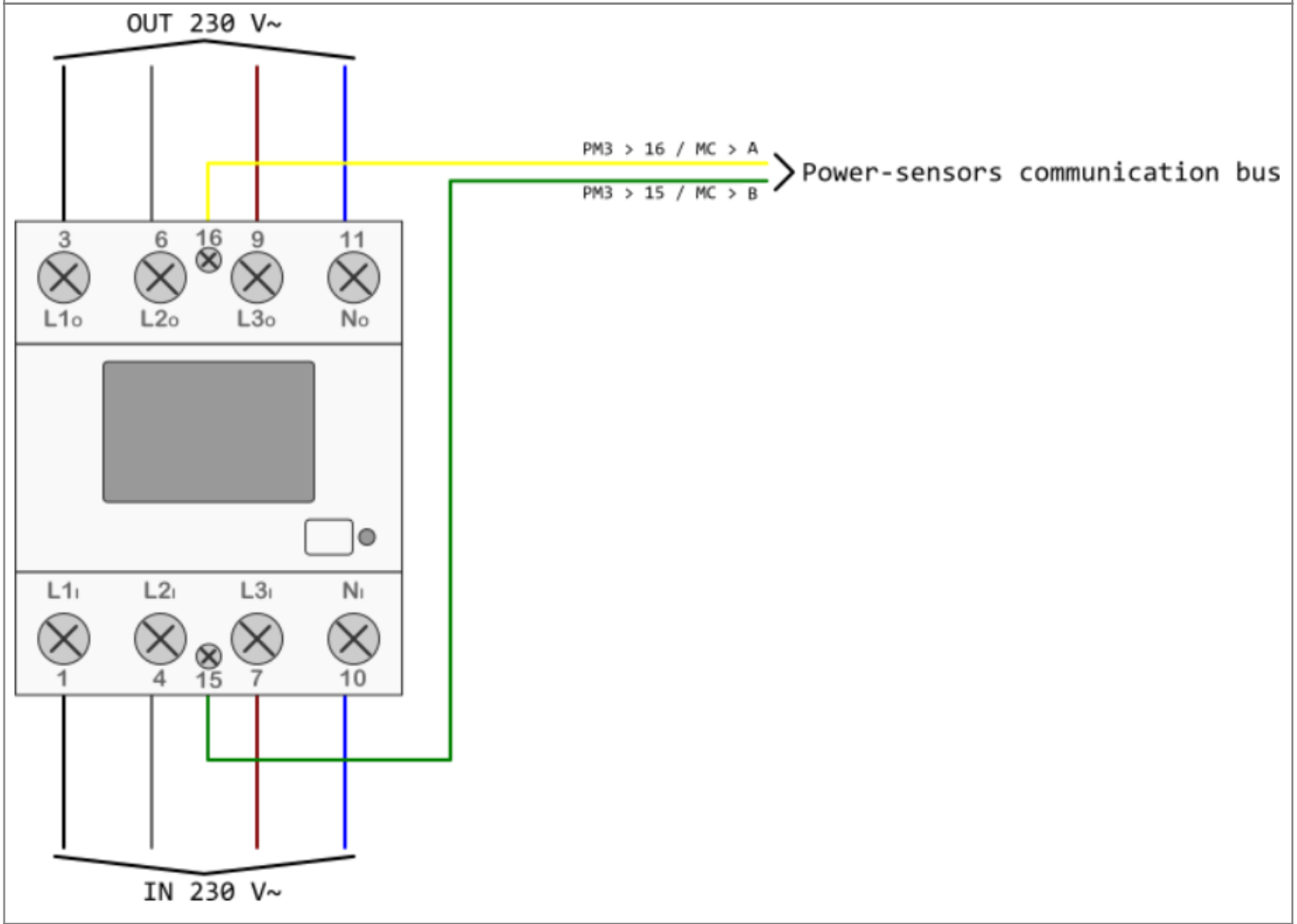


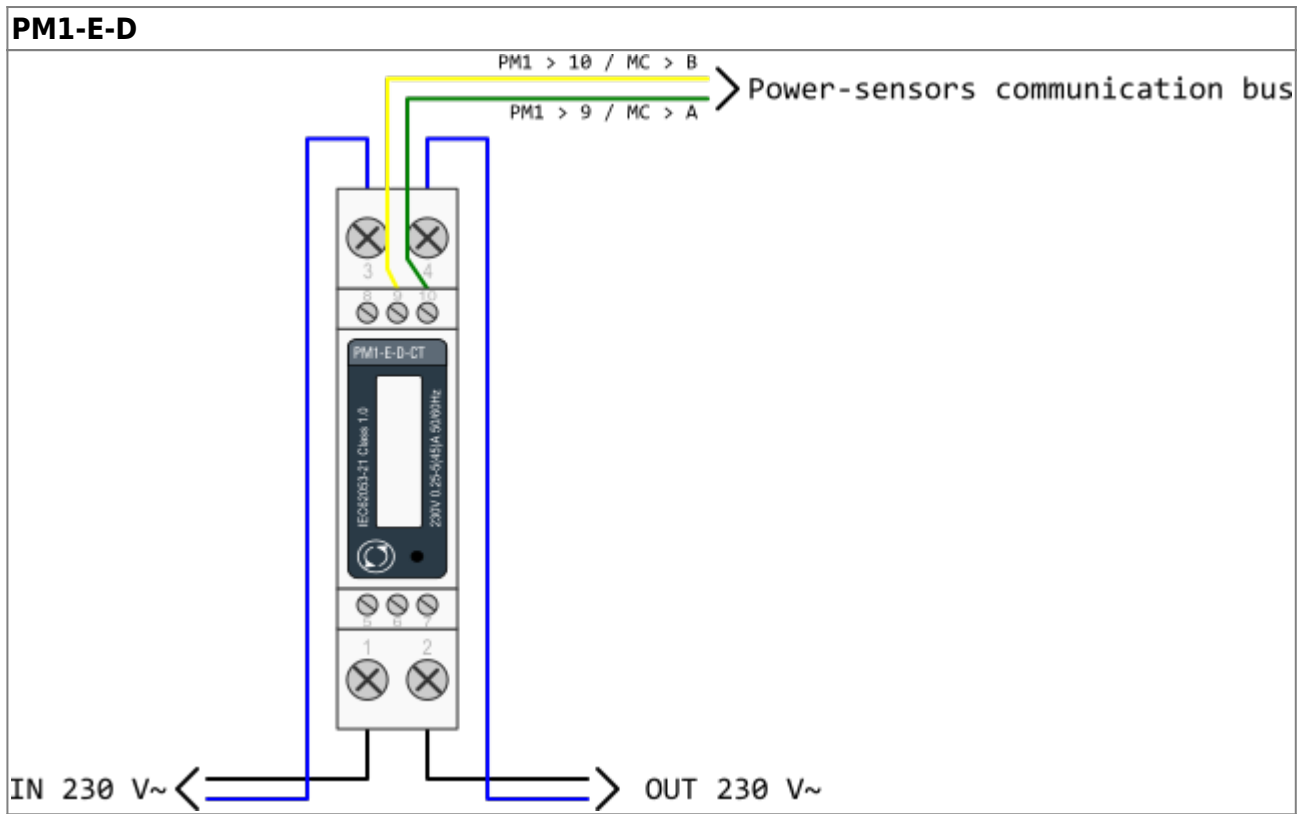
### Optional connection to the LAN:

NOTE: optional connection has to be configured on the cloud service. Please contact [support](#). The same applies to specific network requirements, i.e. static IP address.

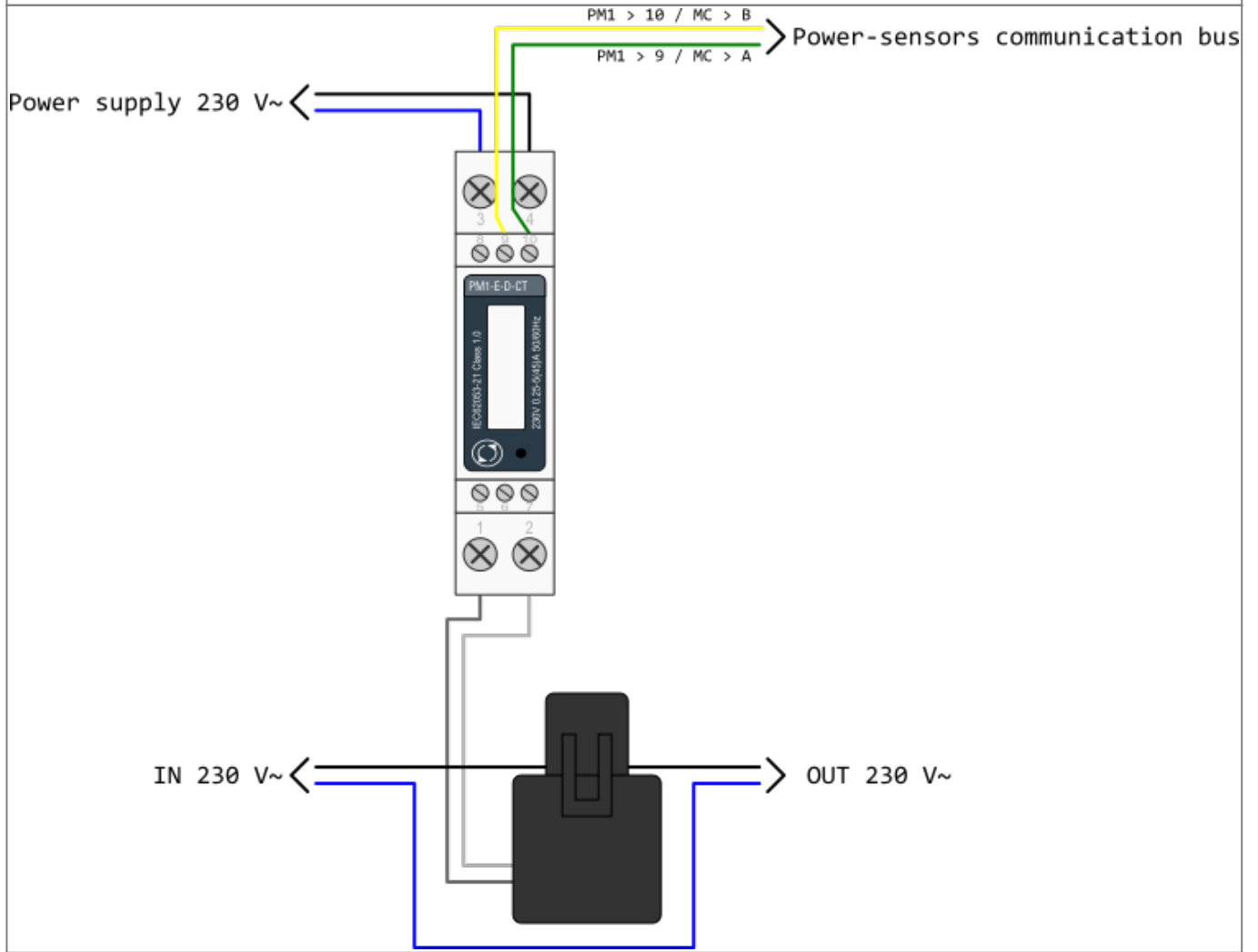


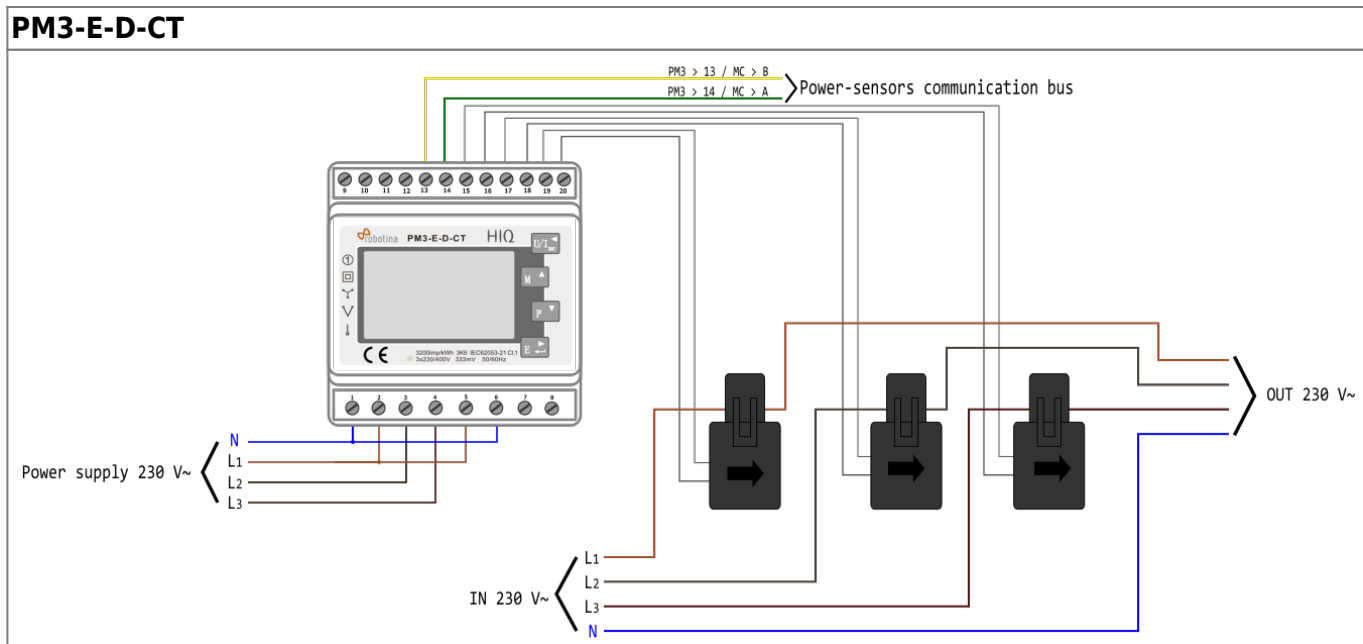
**PM3-I-D**



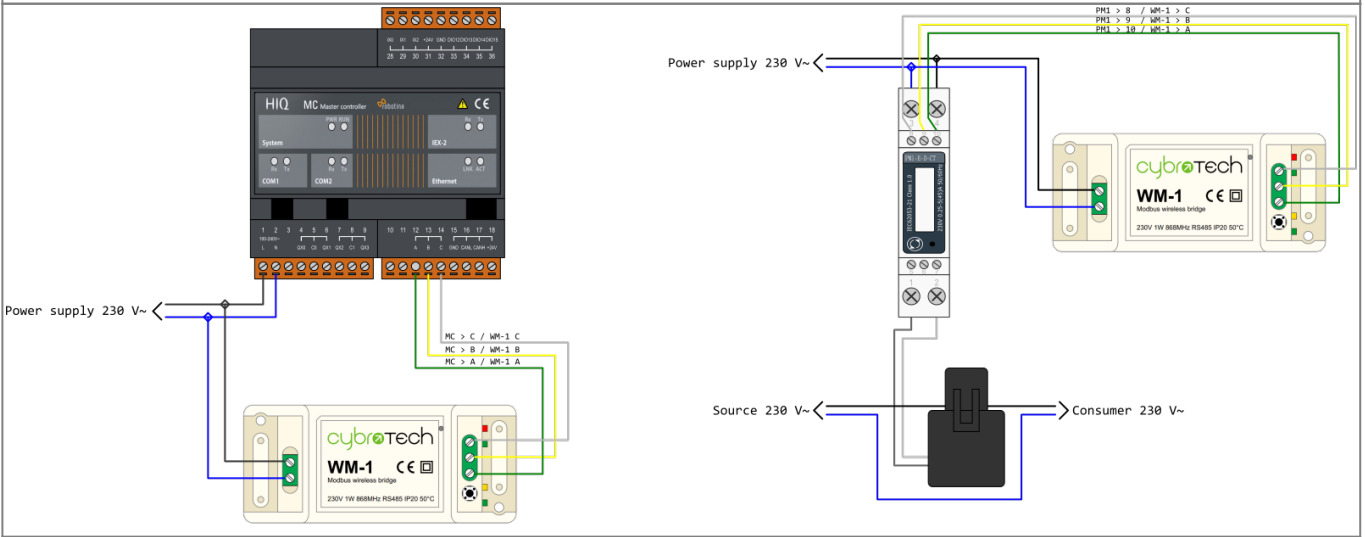


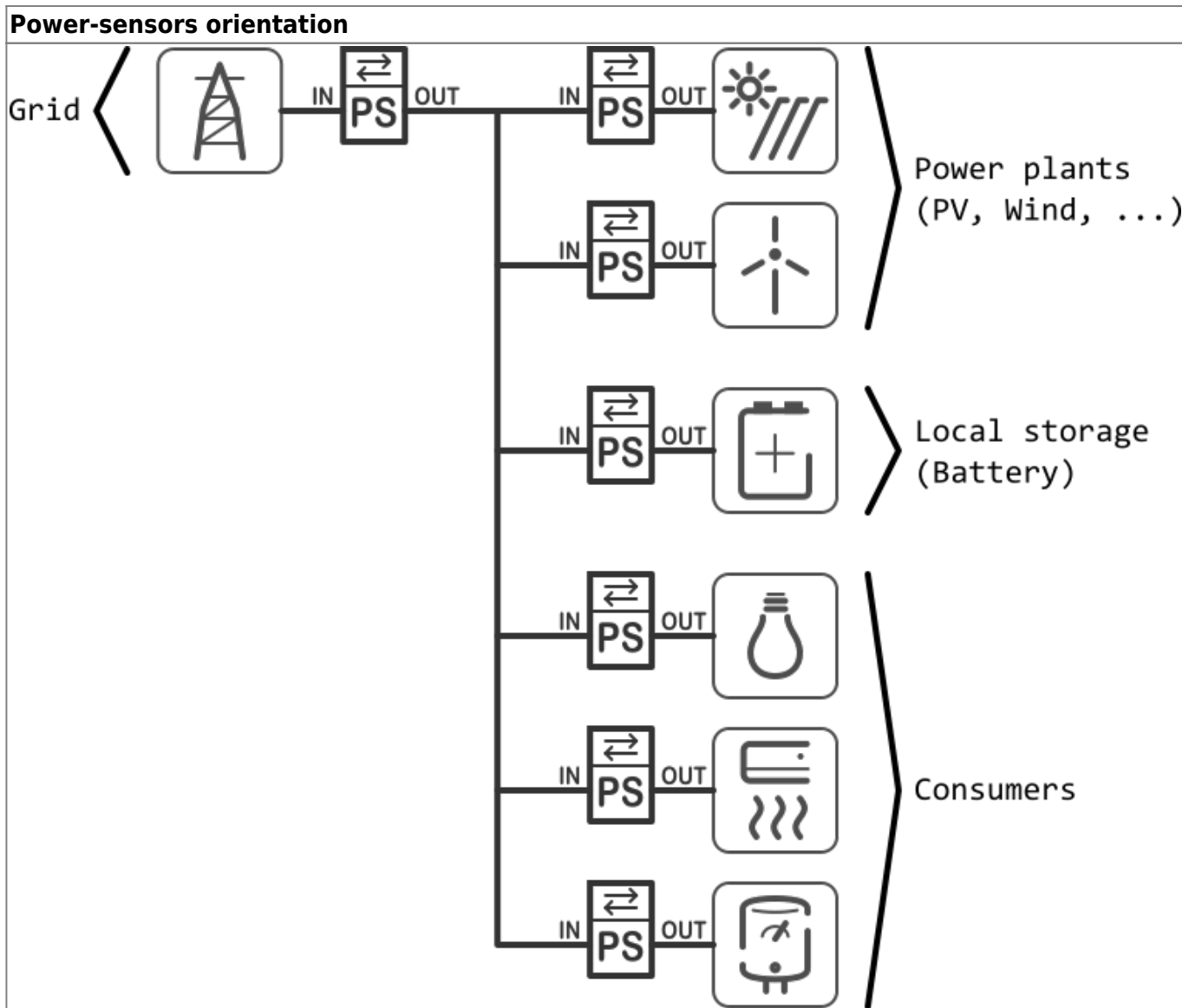
### PM1-E-D-CT

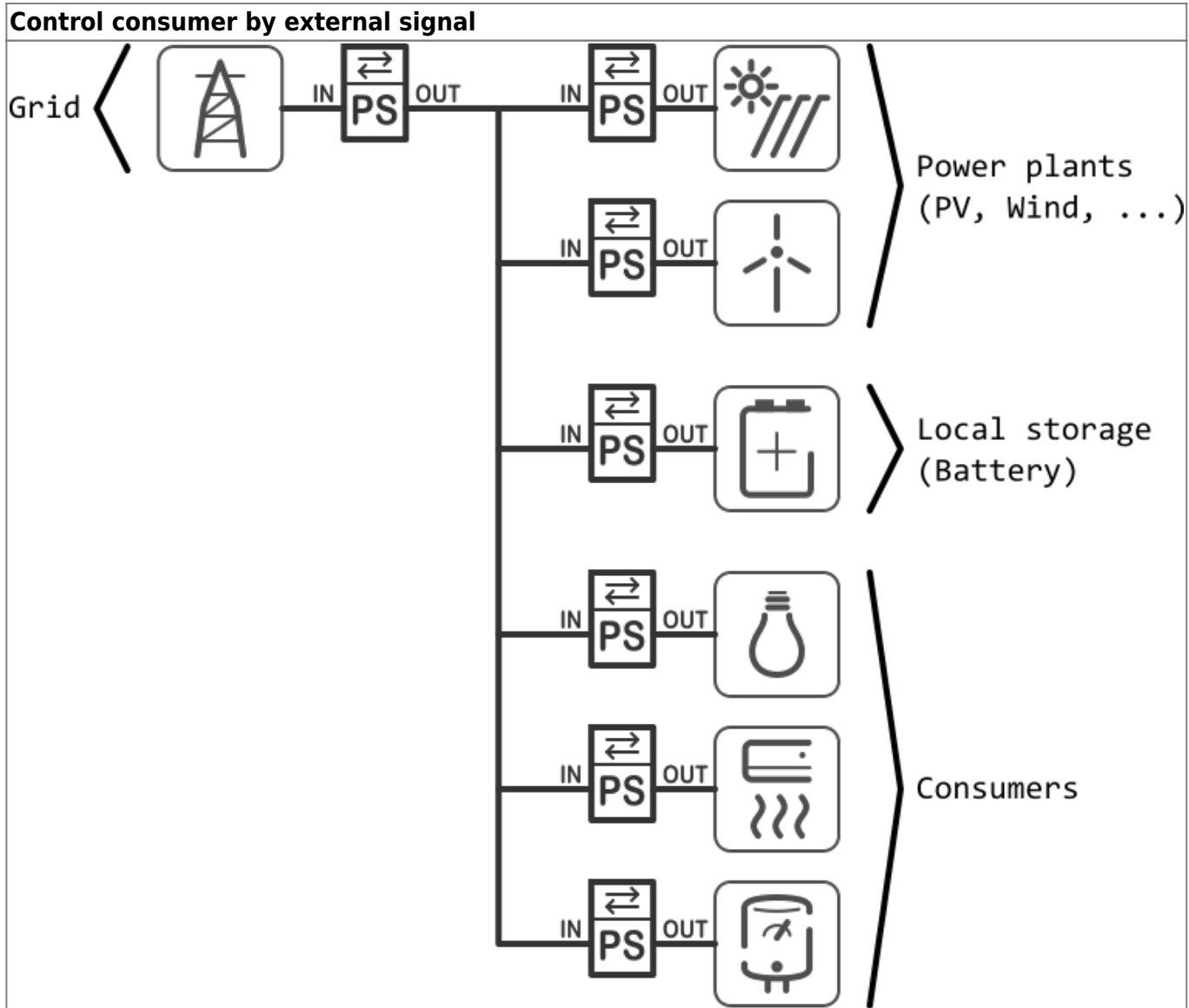




# WM-1







From: <http://wiki.hiq-home.com/> -

Permanent link: [http://wiki.hiq-home.com/doku.php?id=en:hems\\_v1\\_2\\_0:methods\\_resources:wiring&rev=1635938746](http://wiki.hiq-home.com/doku.php?id=en:hems_v1_2_0:methods_resources:wiring&rev=1635938746)

Last update: 2021/11/03 11:25

