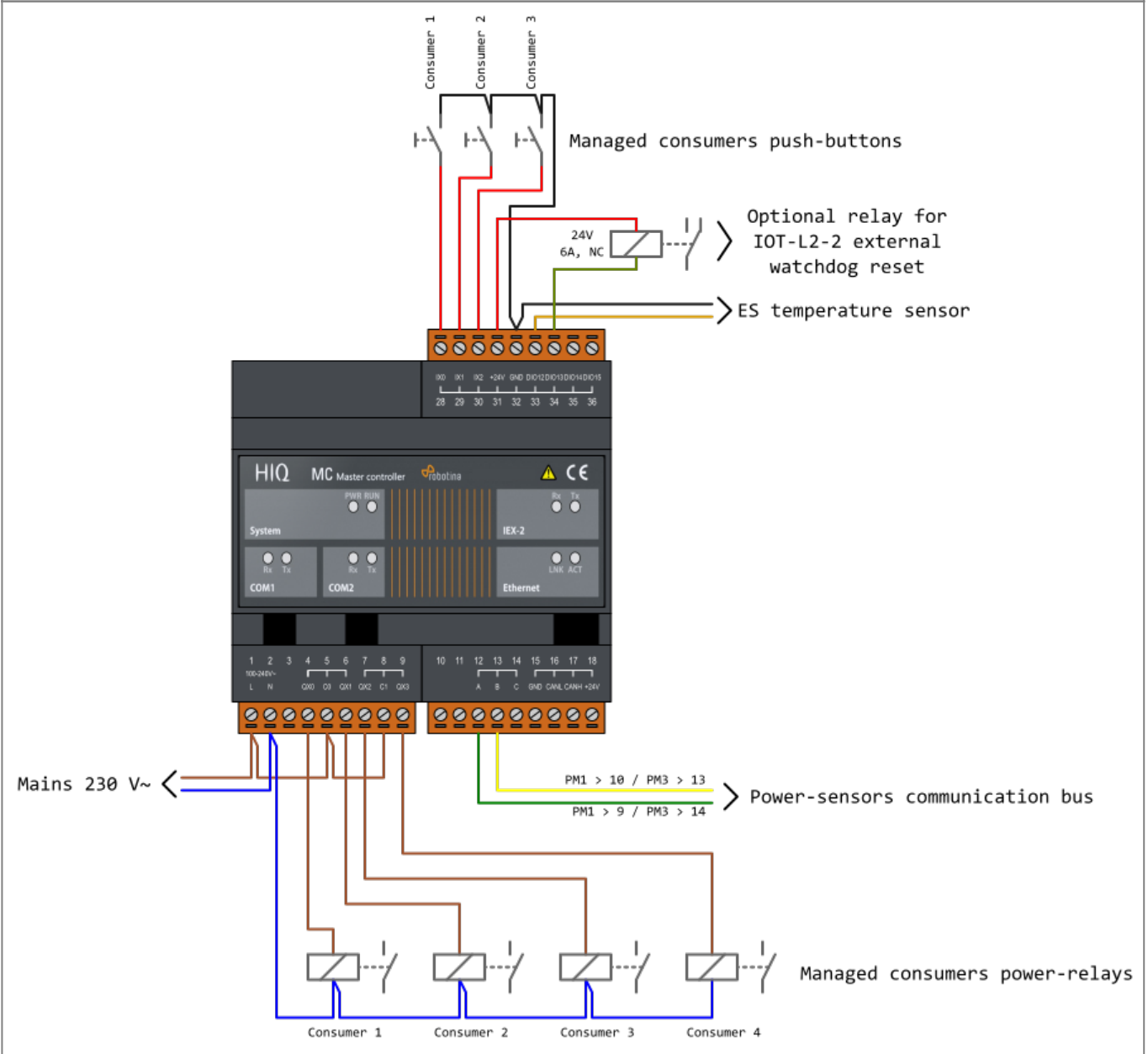


HEMS v1.2.x wiring

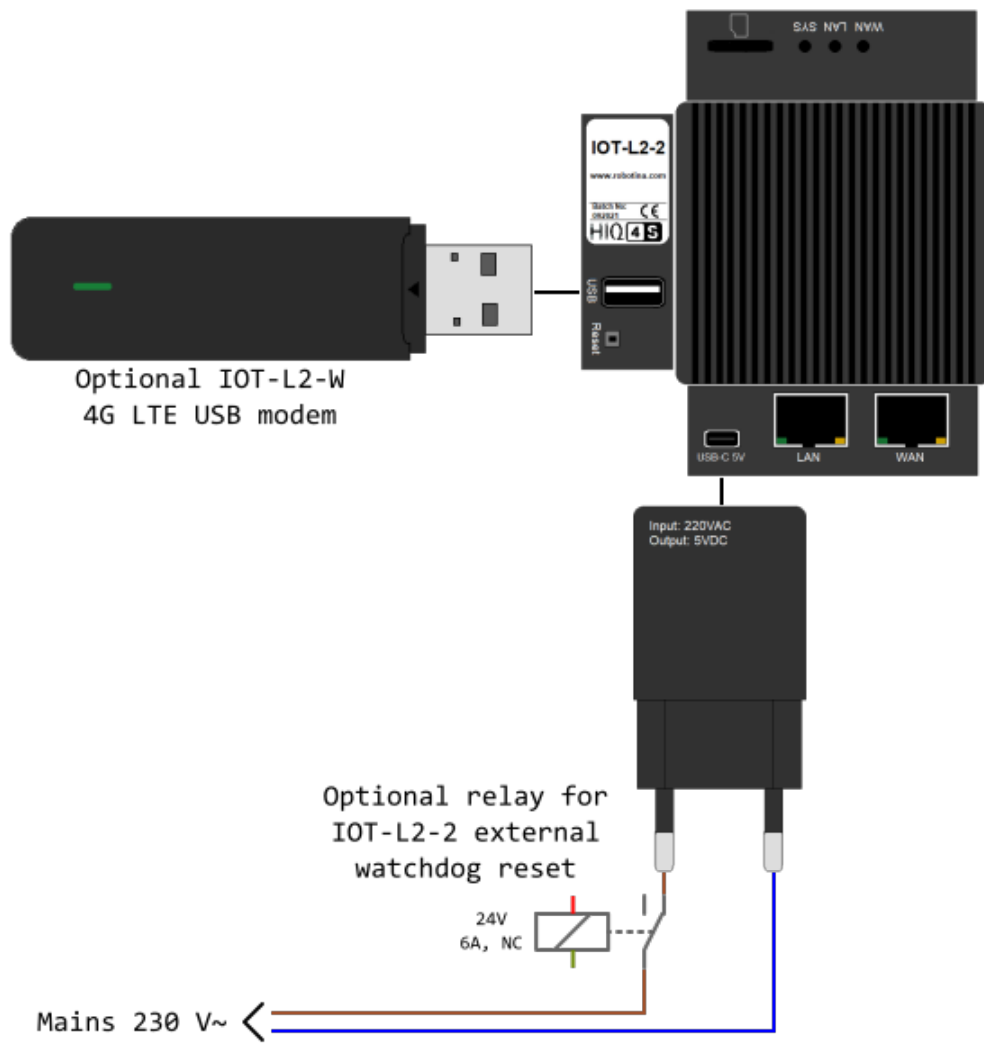
MC-230

Wiring of default configuration.

NOTE: several different configurations can be configured with [HEMS Configurator](#).

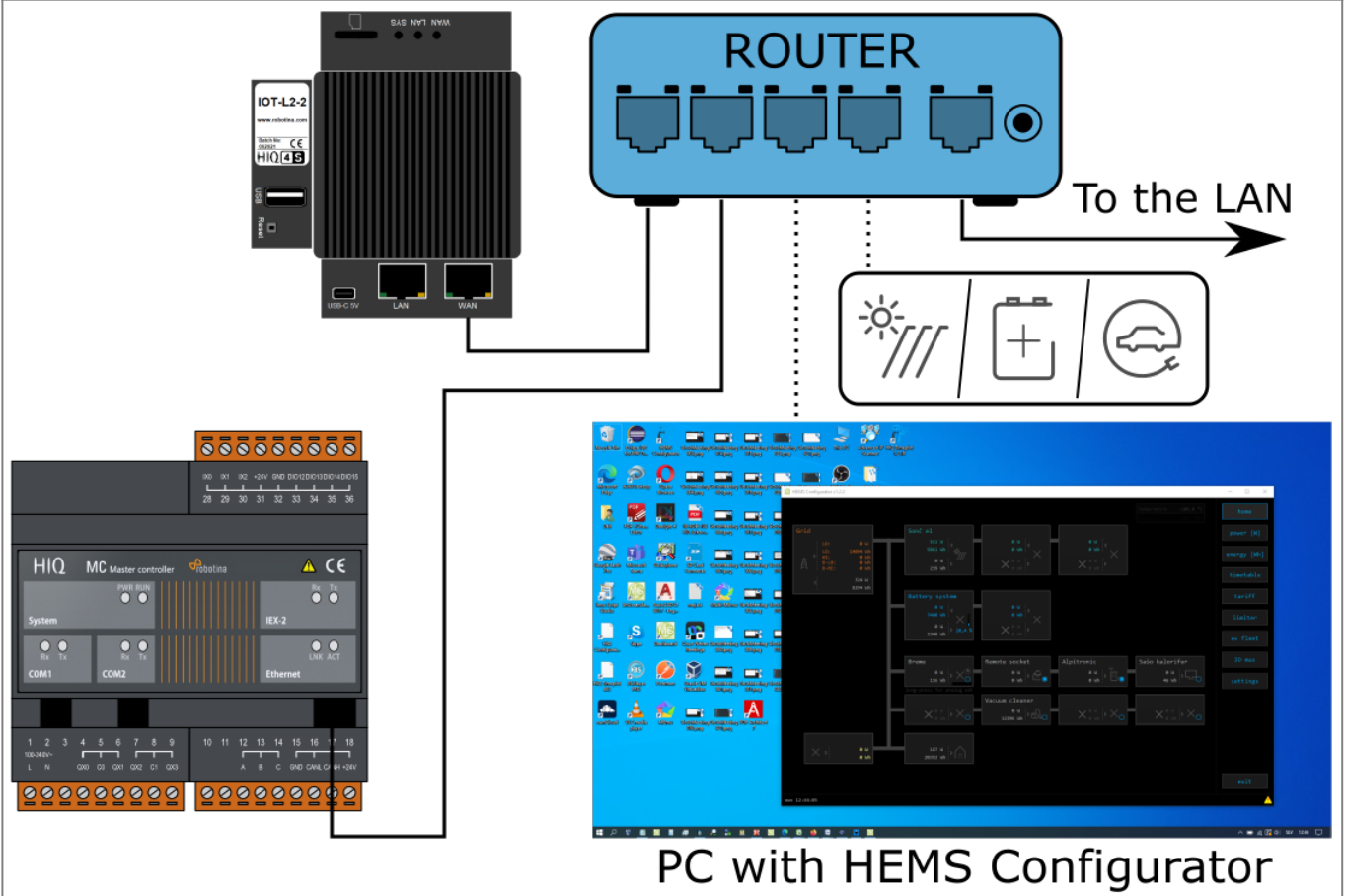


IOT-L2-2

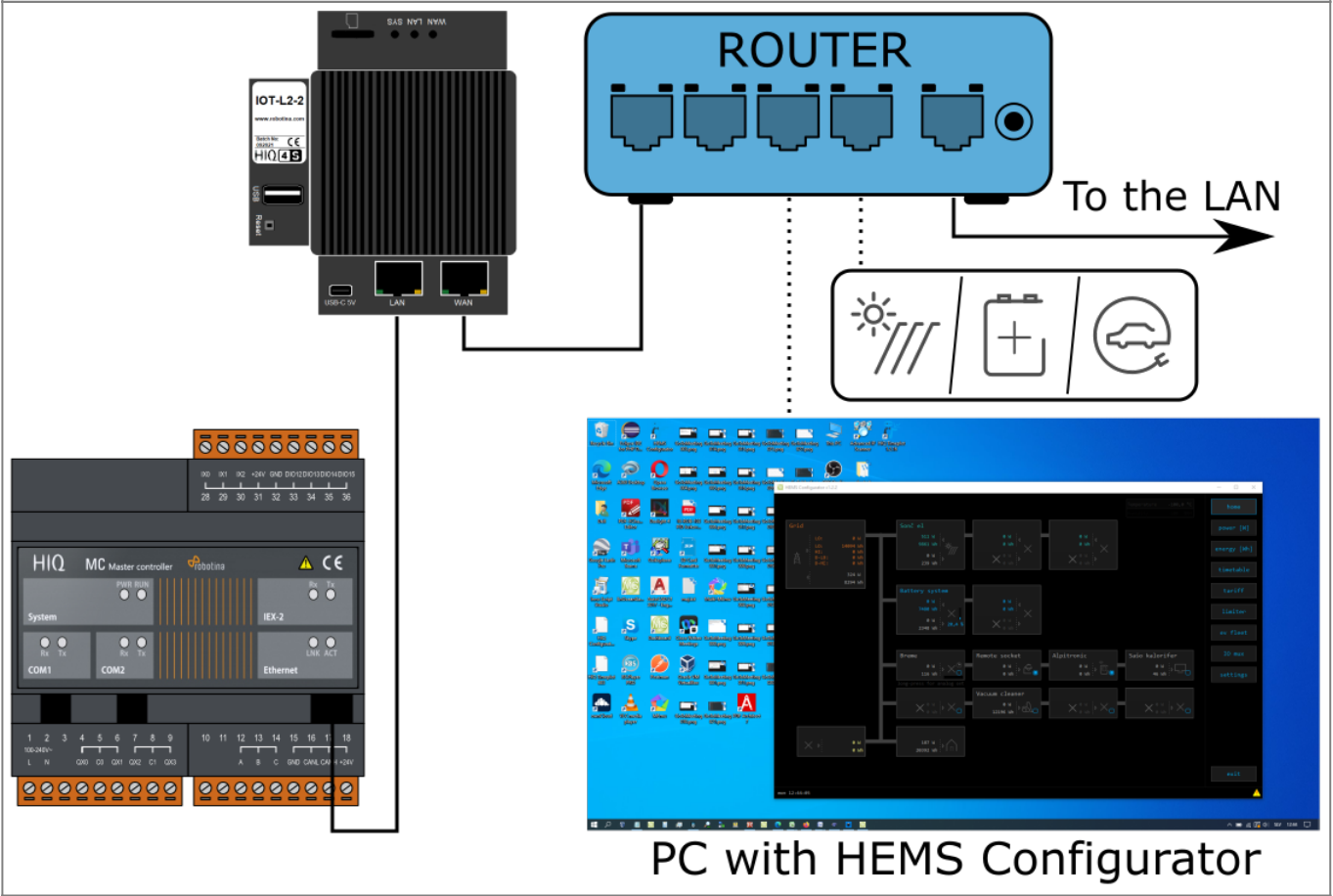


Network → MC-230, IOT-L2-2 and optionally 4G LTE modem

Default connection to the LAN:

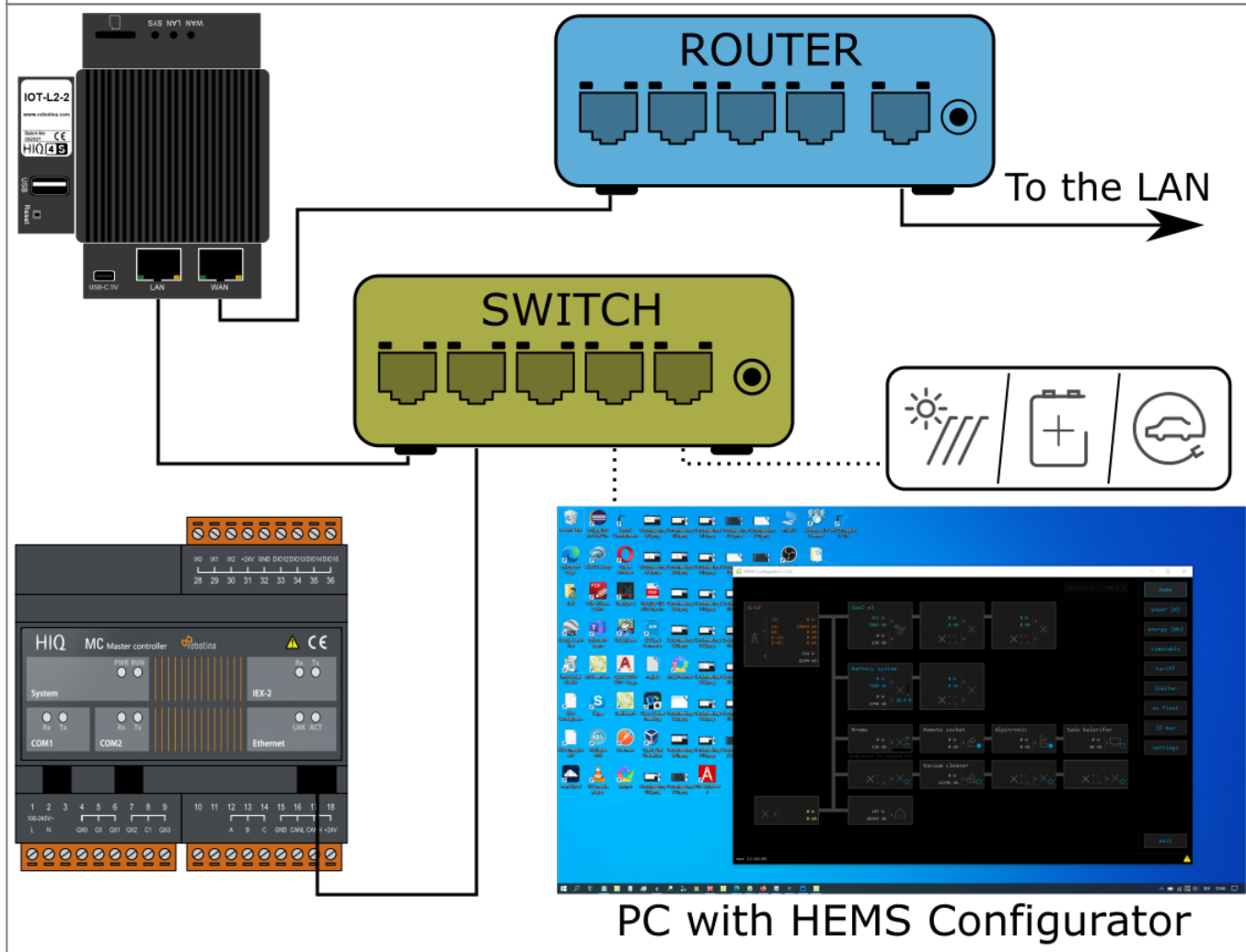


Default connection via 4G LTE modem:

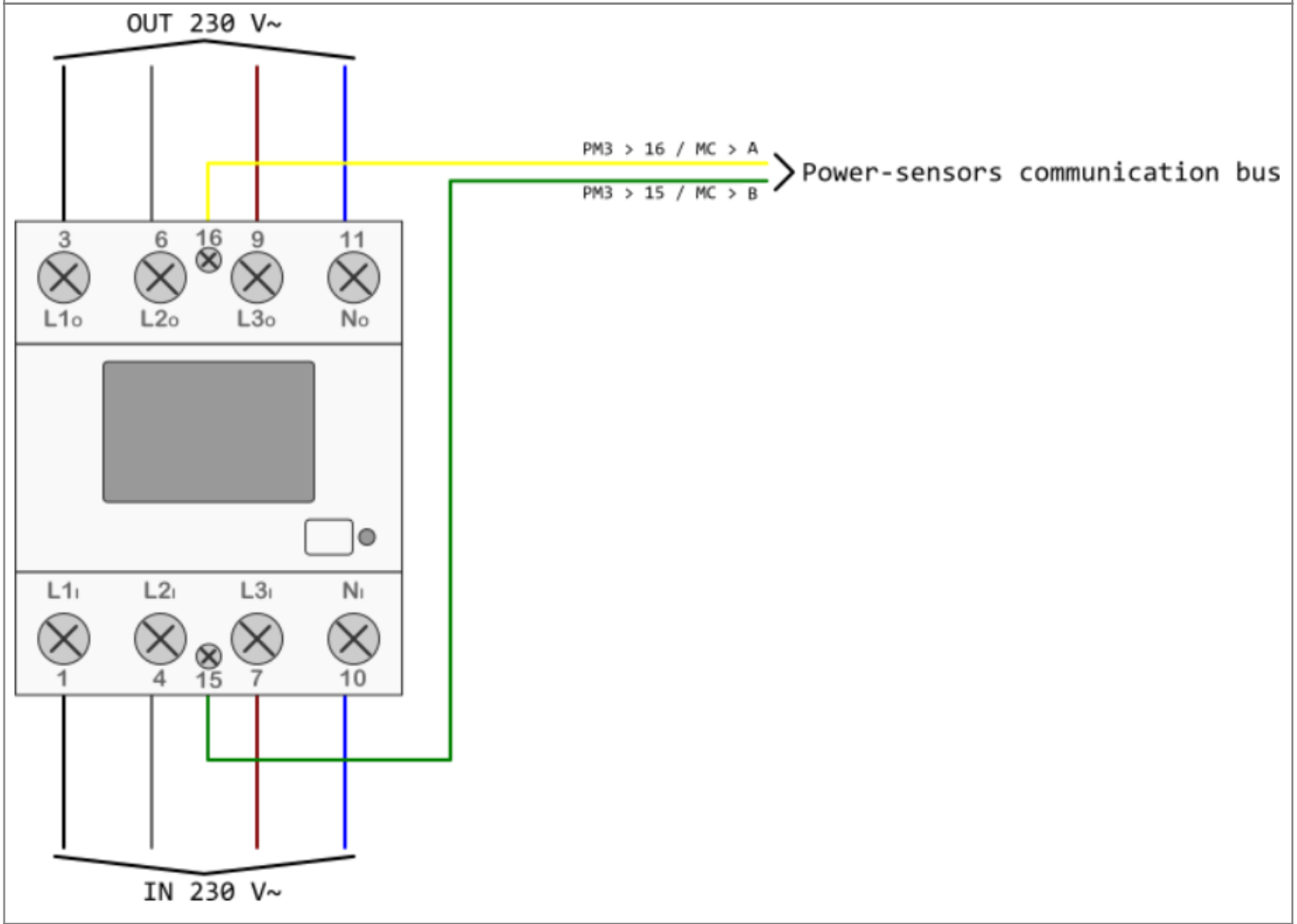


Optional connection to the LAN:

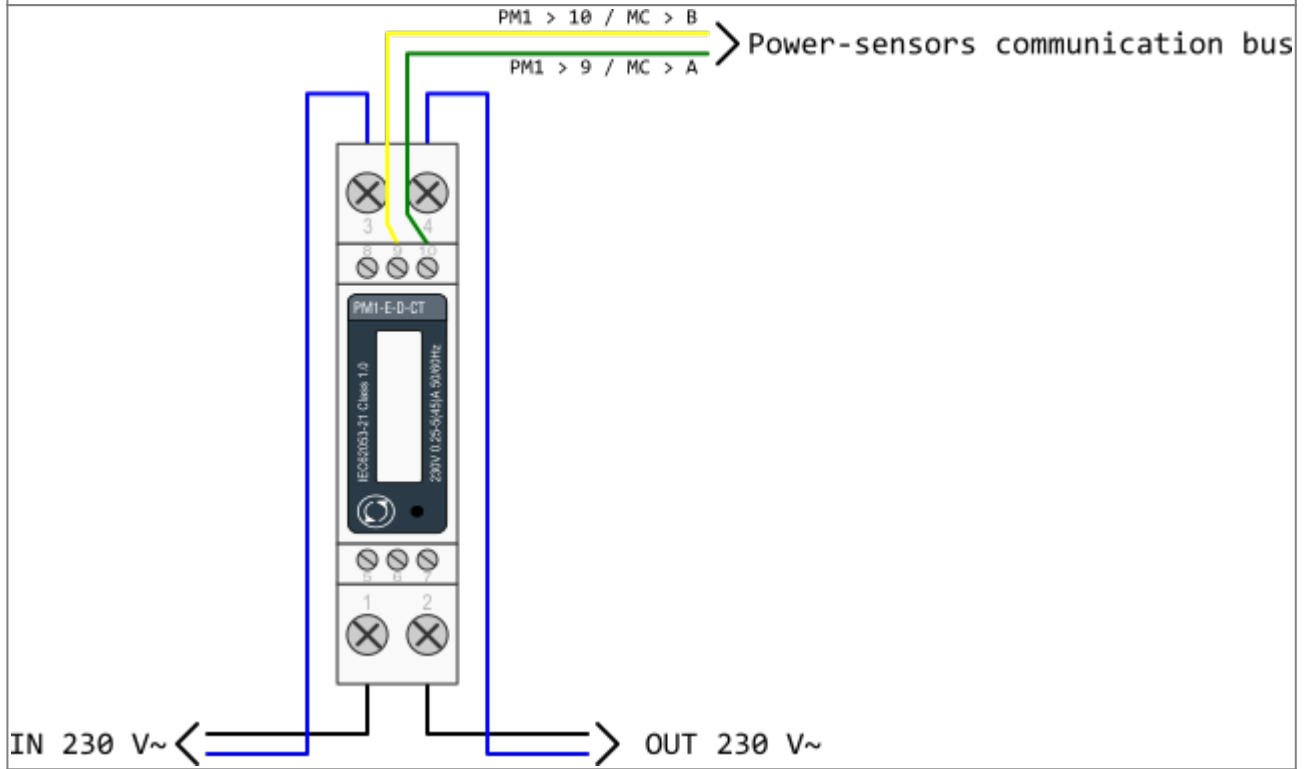
NOTE: optional connection has to be configured on the cloud service. Please contact [support](#). The same applies to specific network requirements, i.e. static IP address.



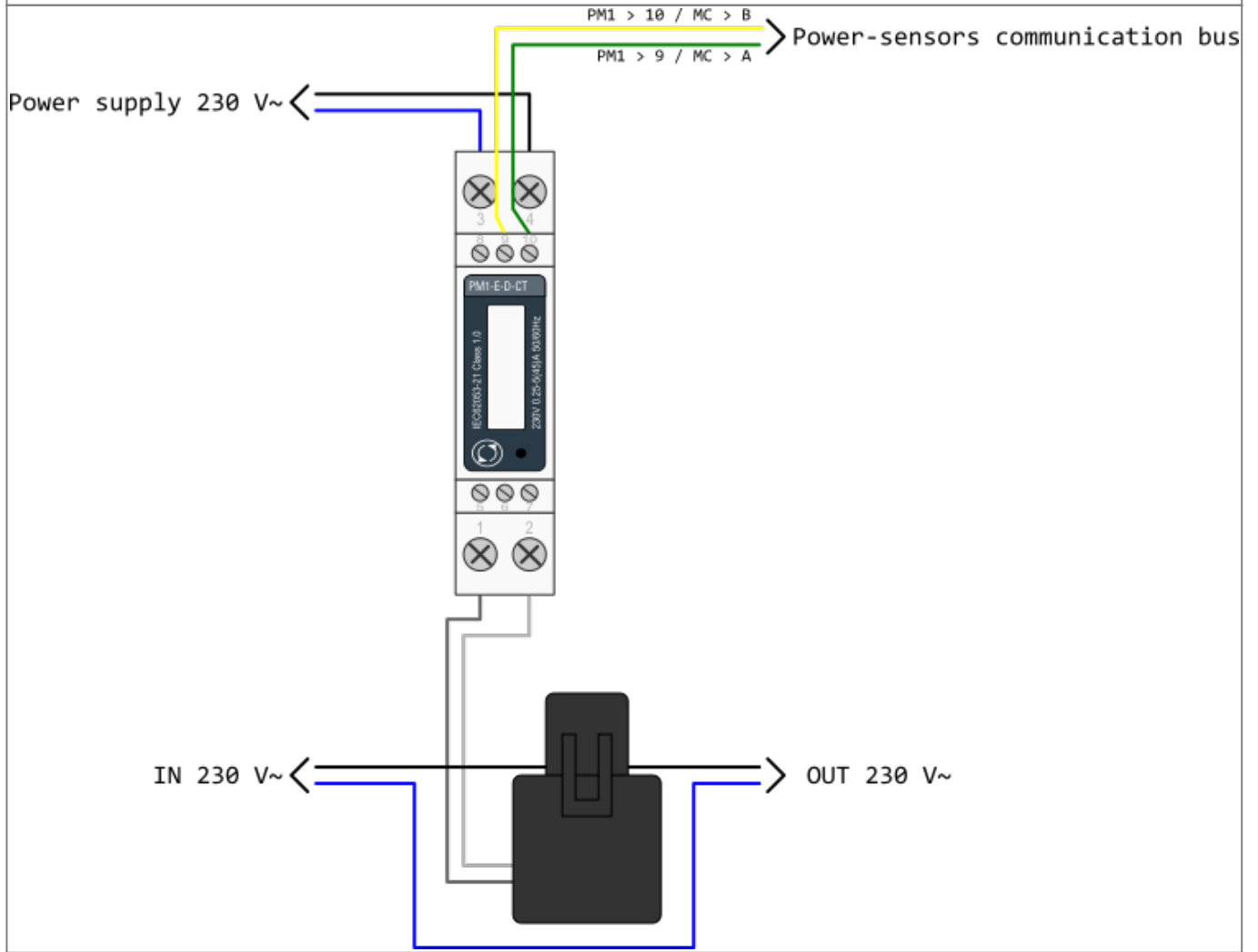
PM3-I-D

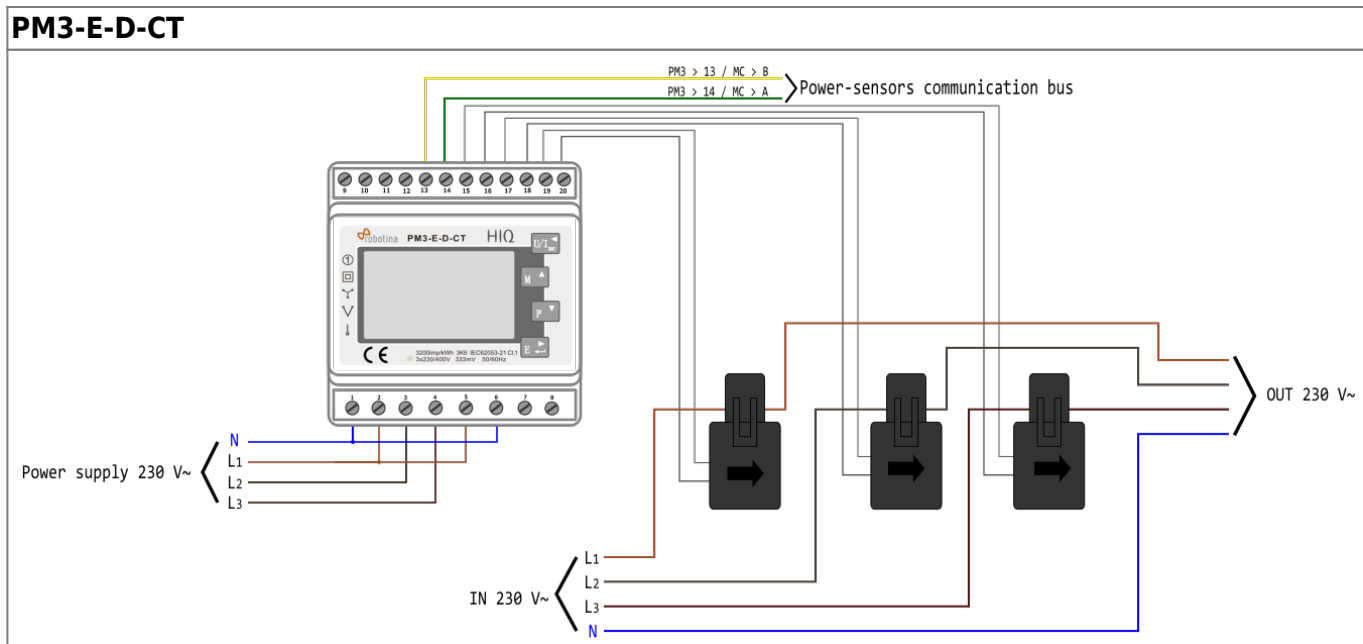


PM1-E-D

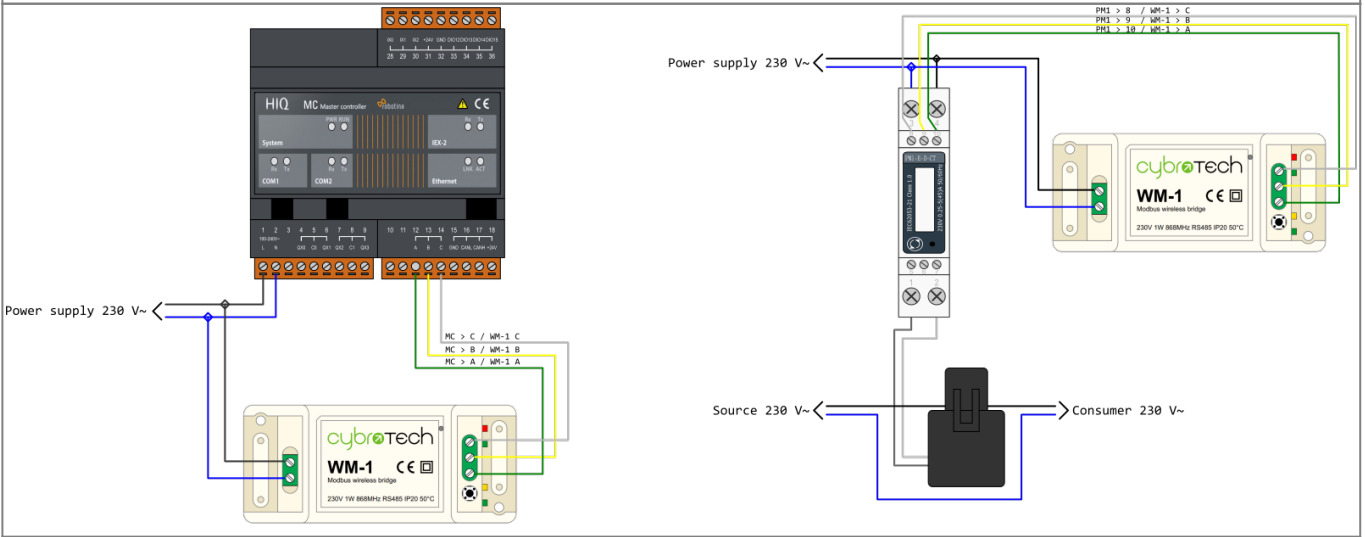


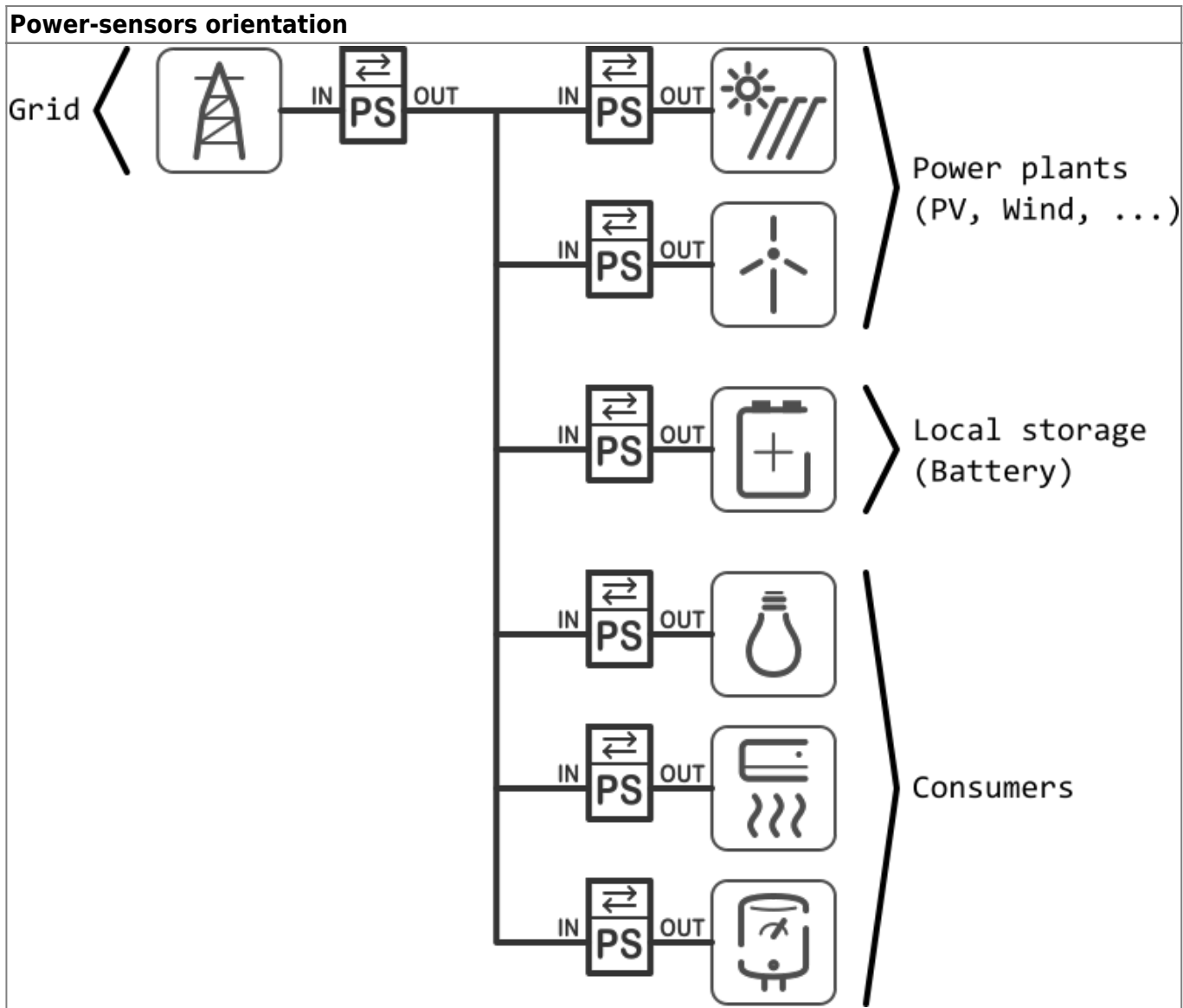
PM1-E-D-CT





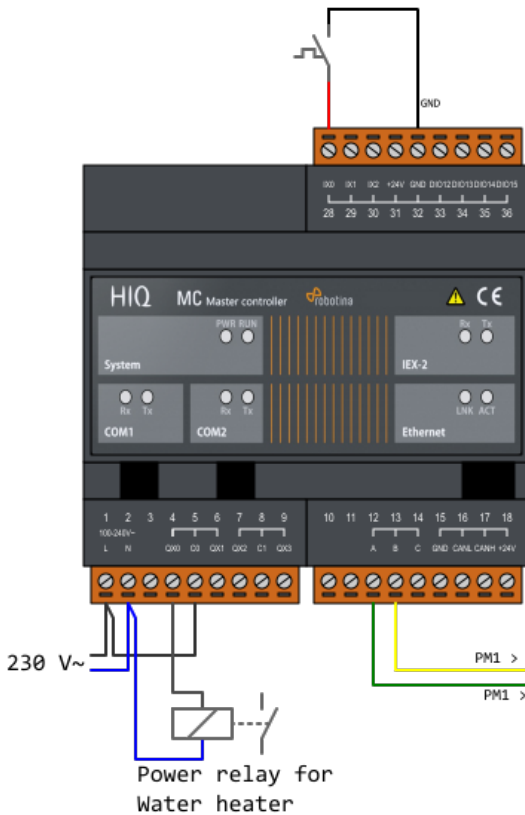
WM-1





Control consumer by external signal

Connect external source to control device, e.g. thermostat signal on IX0 to control temperature by enabling/disabling connected device on QX0.



HEMS configurator

Using HEMS configurator settings page, set Digital 1 for consumer in this case water heater.

CONSUMERS	icon	output	man.time	P nominal
Water heater	Water heater	Digital-1	0 min	2500 W

Using HEMS configurator IO mux page, set QX0 to Digital 1 and IX0 to Enable consumer 1:

	Select input/output type	out mode
QX0	Digital-1	normal
QX1	/	normal
QX2	/	normal
QX3	/	normal
IO12	/	normal
IO13	/	normal
IO14	/	normal
IO15	/	normal
IX0	Enable consumer-1	normal
IX1	/	normal
IX2	/	normal

From: <http://wiki.hiq-home.com/> -

Permanent link: http://wiki.hiq-home.com/doku.php?id=en:hems_v1_2_0:methods_resources:wiring&rev=1636033725

Last update: 2021/11/04 13:48

