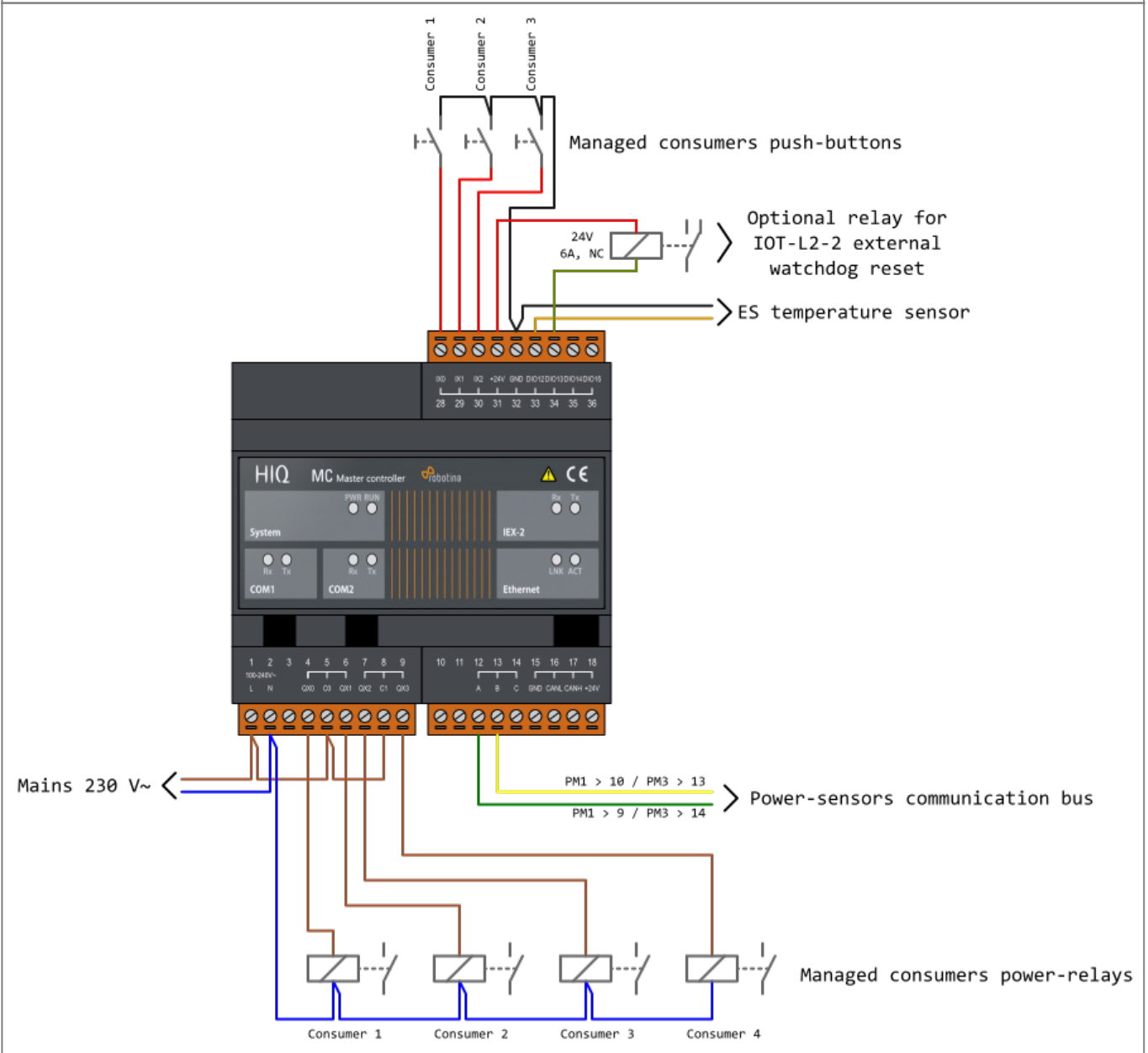


HEMS v1.2.x wiring

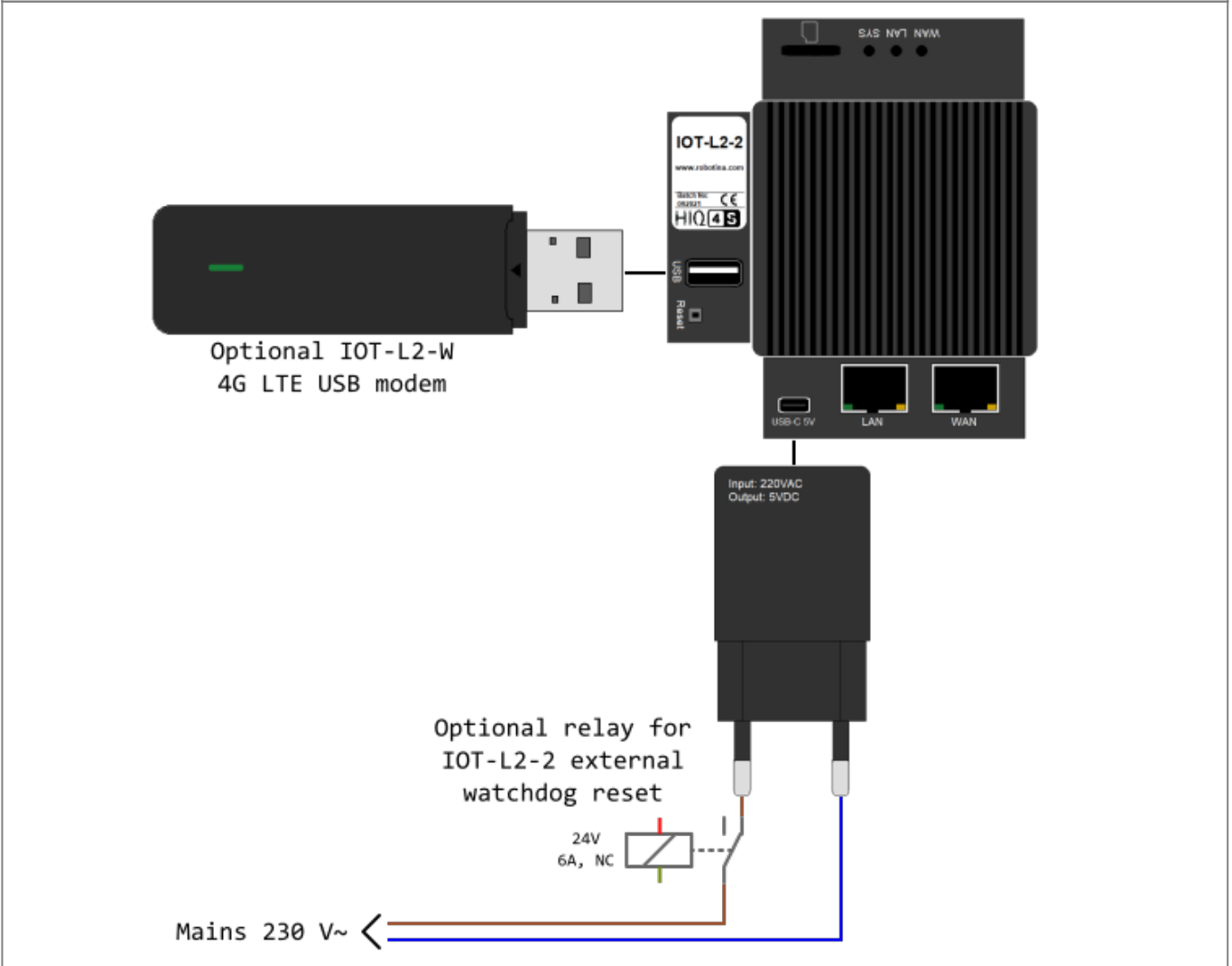
MC-230

Wiring of default configuration.

NOTE: several different configurations can be configured with [HEMS Configurator](#).



IOT-L2-2

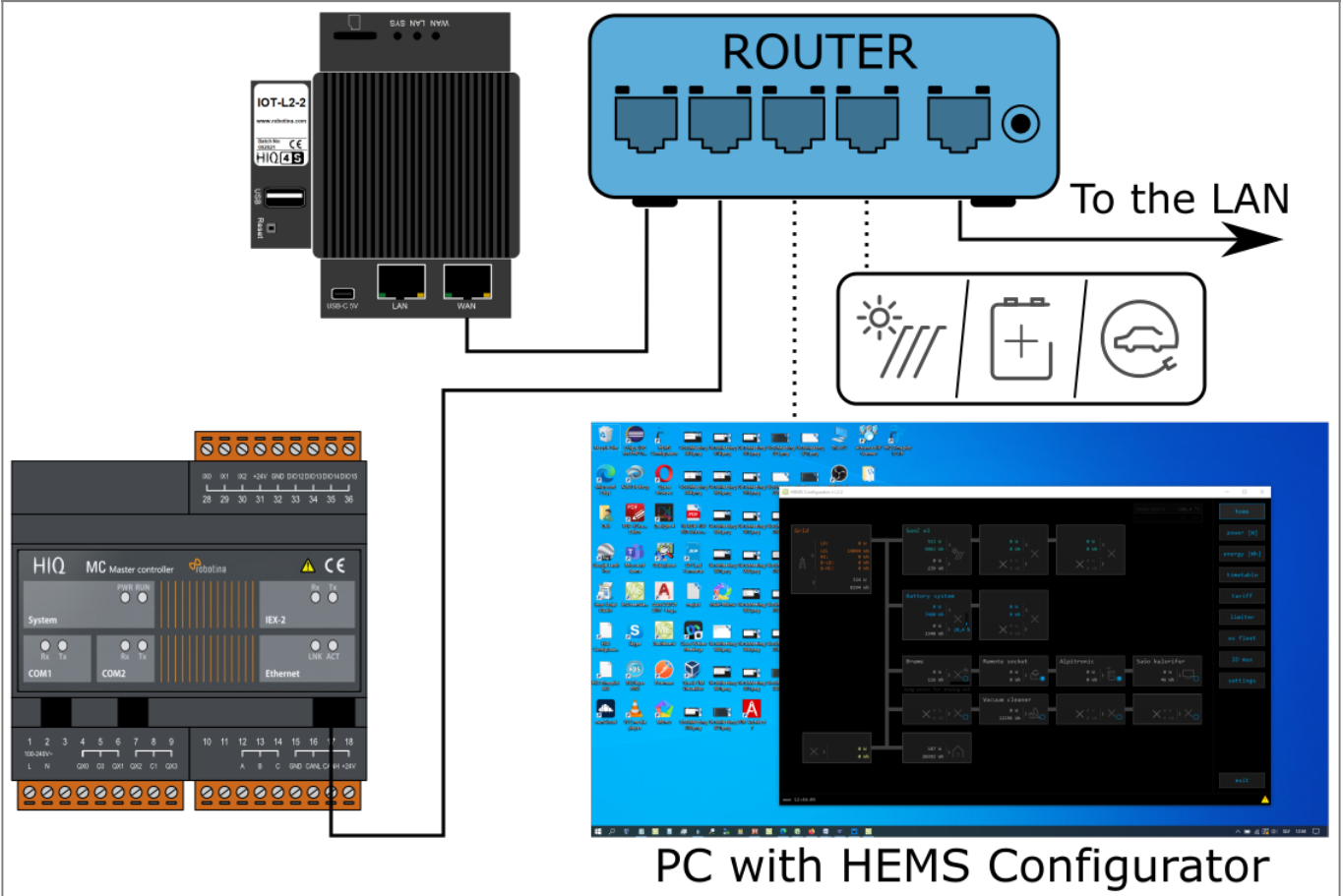


Network (LAN or LTE 4G modem) → MC-230 and IOT-L2-2

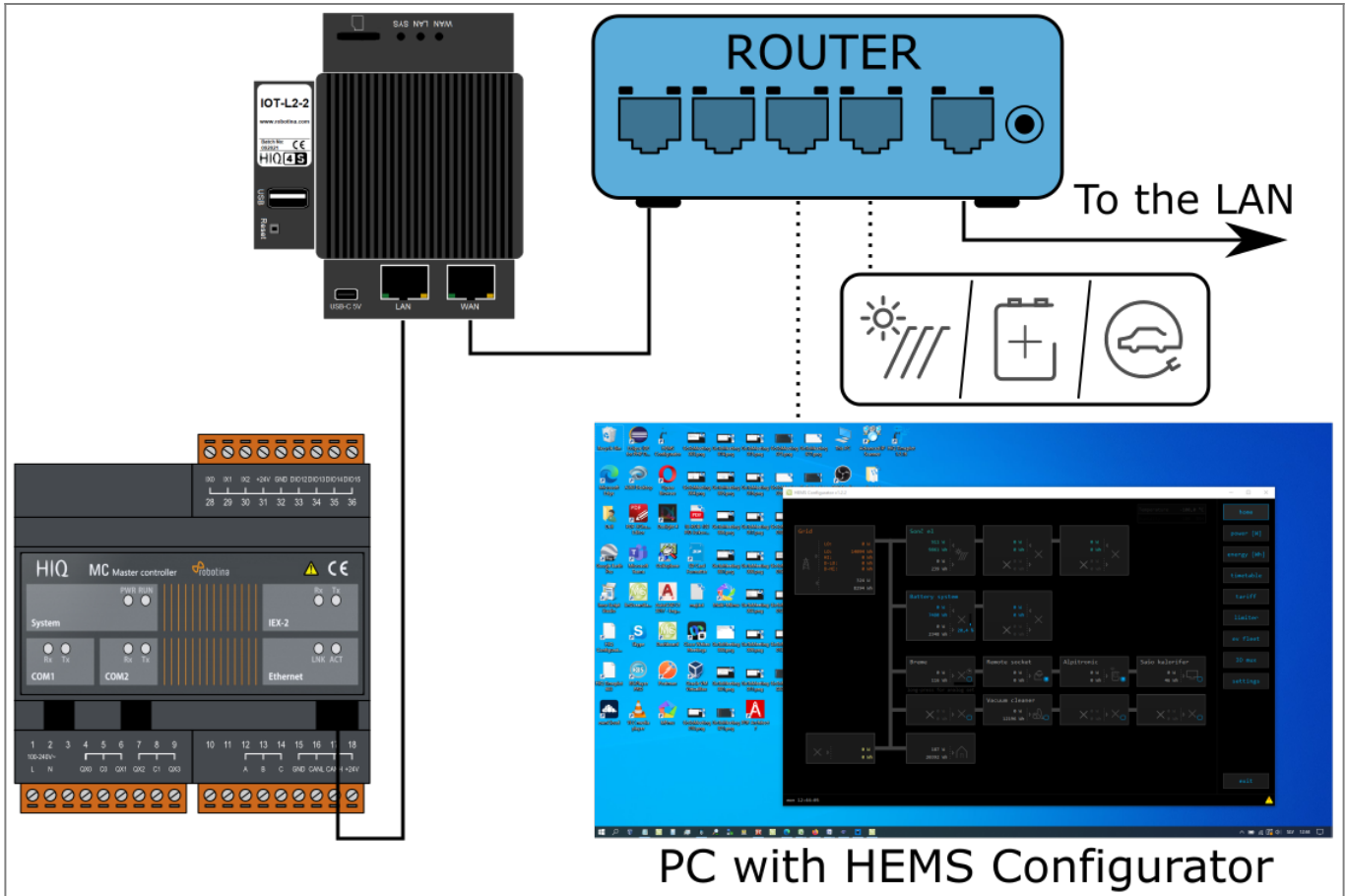
Optionally:

- PC with HEMS configurator
- PV inverter
- Hybrid inverter (battery storage system)
- EV charger

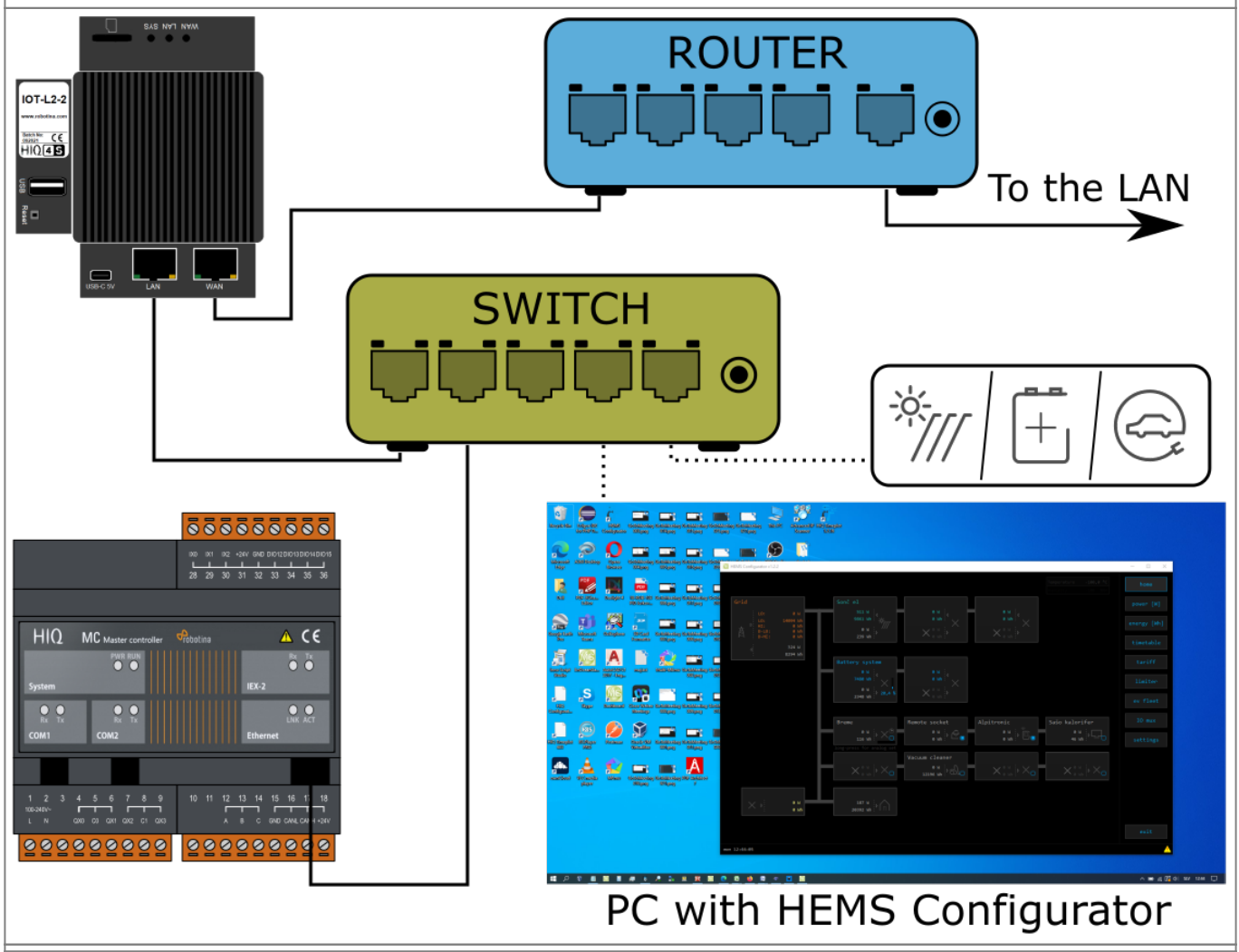
Default connection to the LAN:



Optional LAN connections:



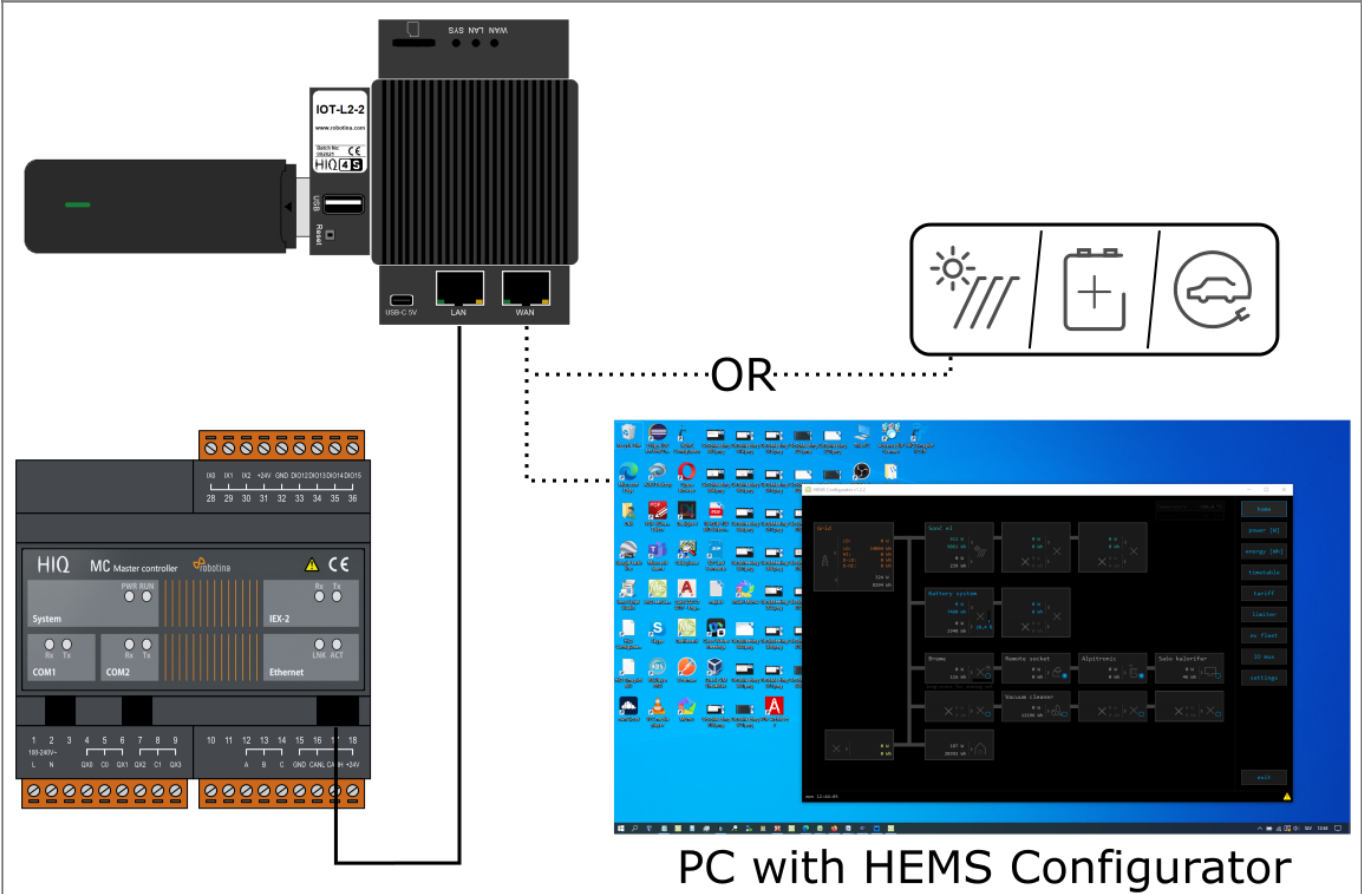
PC with HEMS Configurator



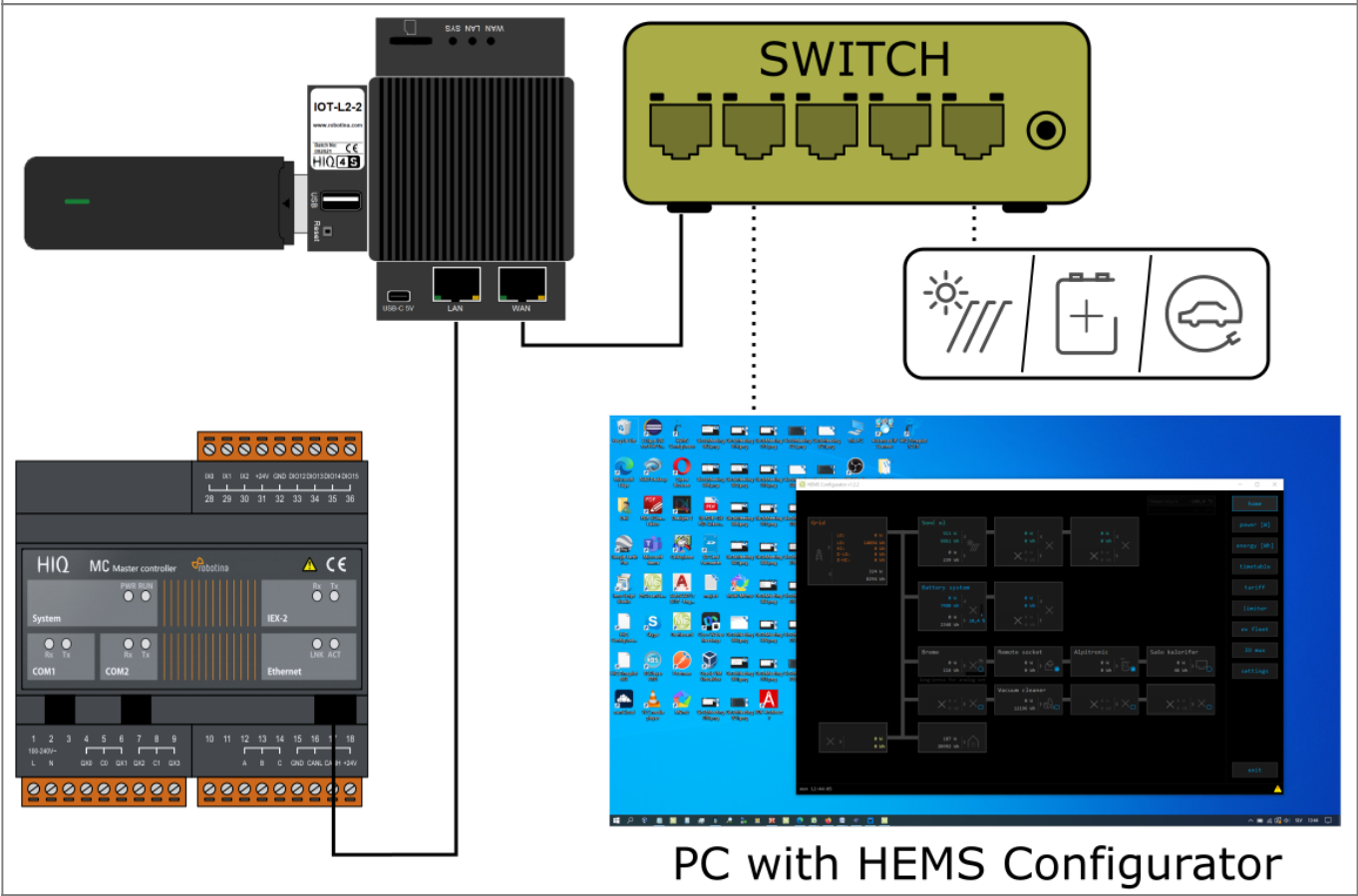
PC with HEMS Configurator

Default connection via LTE 4G modem:

NOTE: All connected devices will have internet access via LTE modem which can result in high costs on your LTE account.

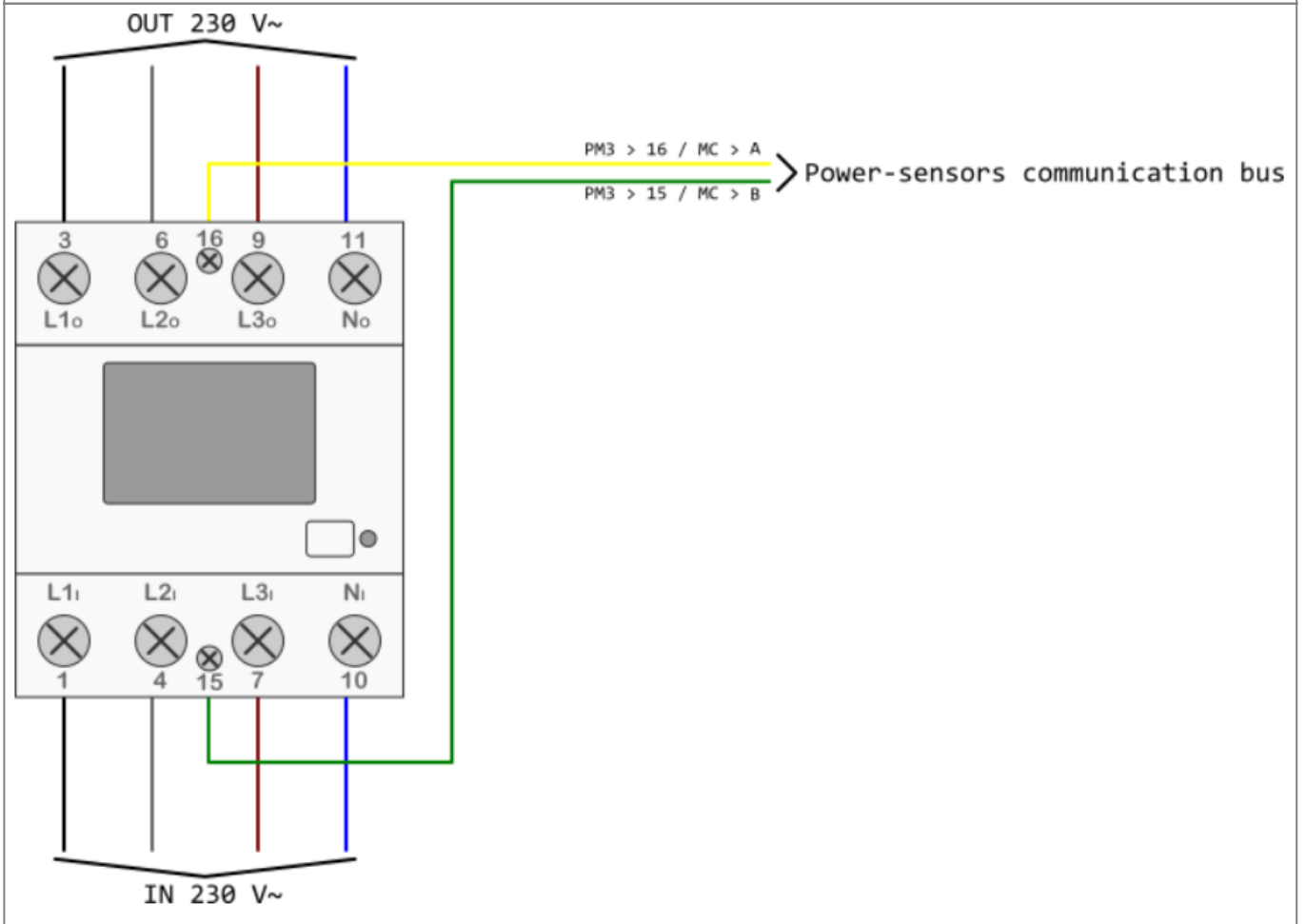


Optional LTE 4G modem connection:

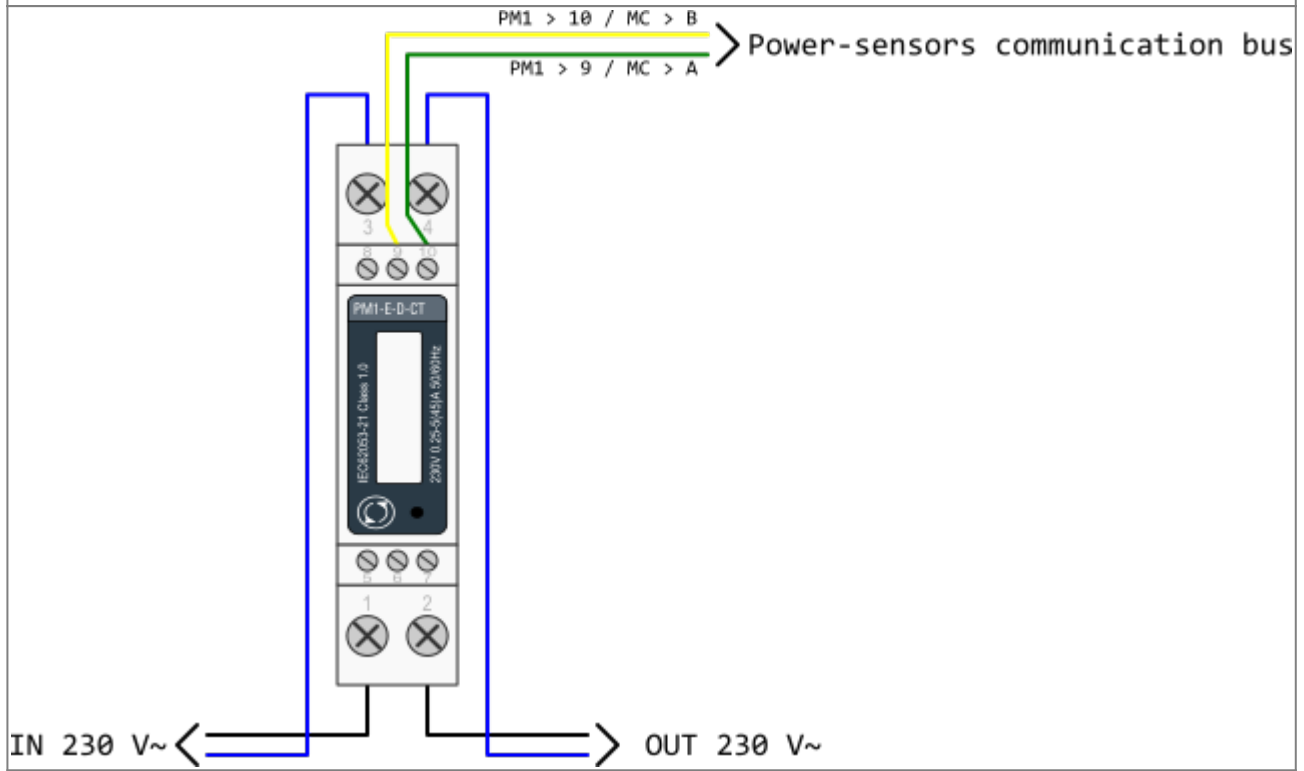


NOTE: Specific network requirements, i.e. static IP address can be configured on the cloud service.
Please contact [support](#).

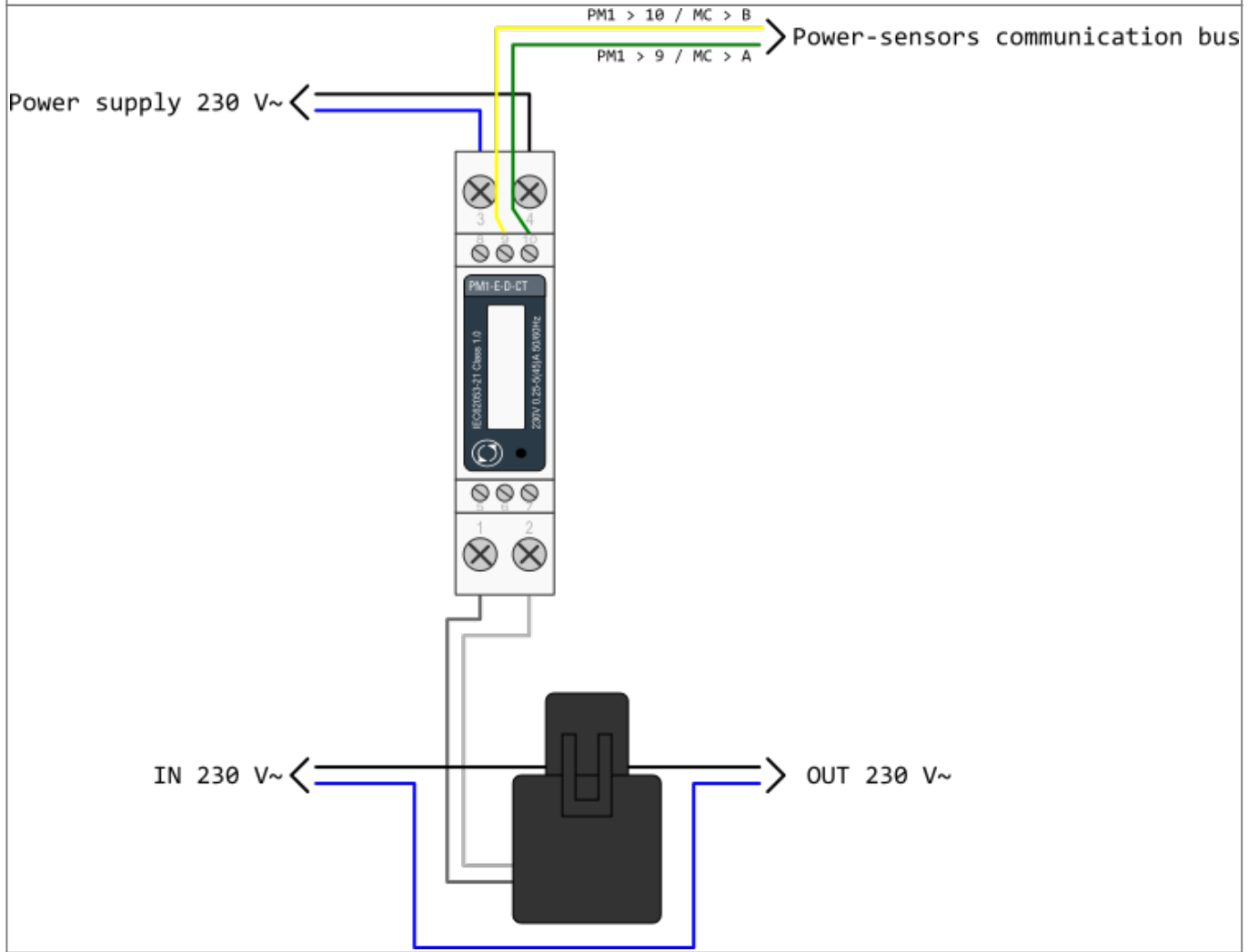
PM3-I-D



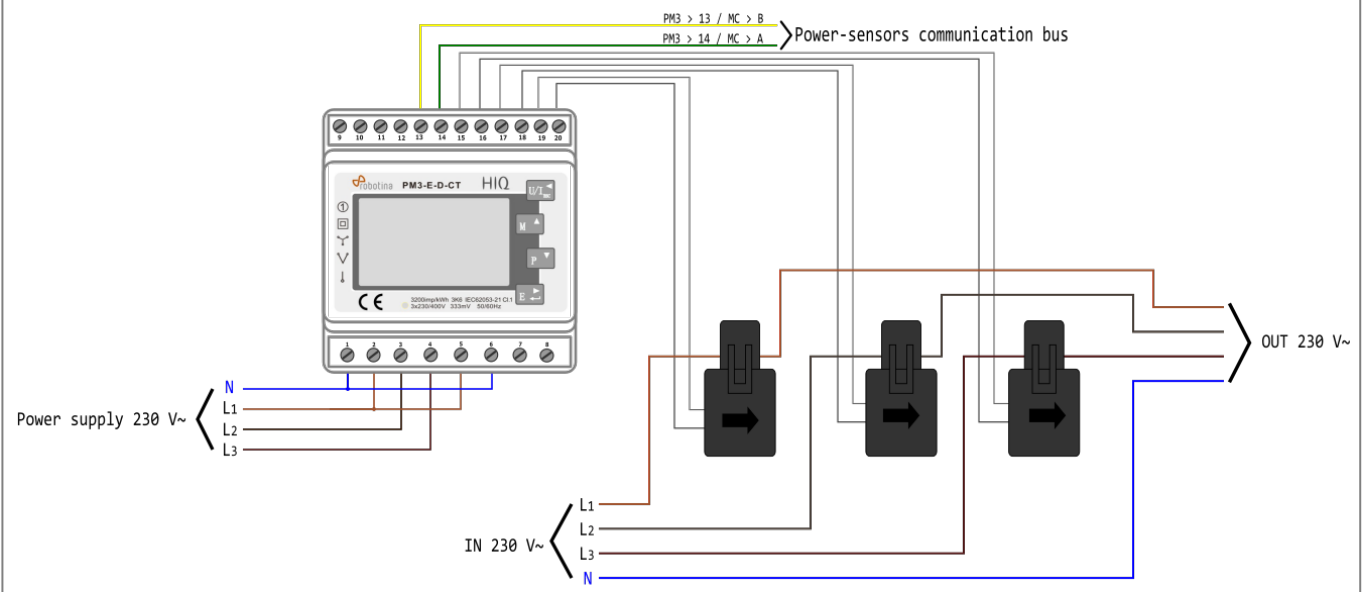
PM1-E-D



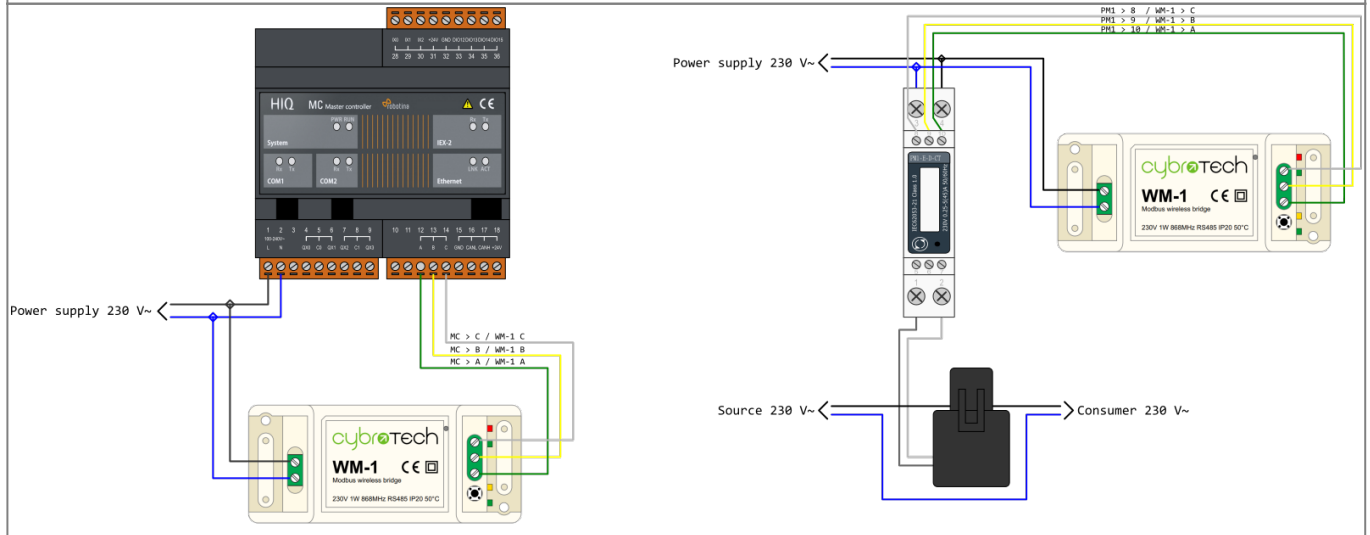
PM1-E-D-CT

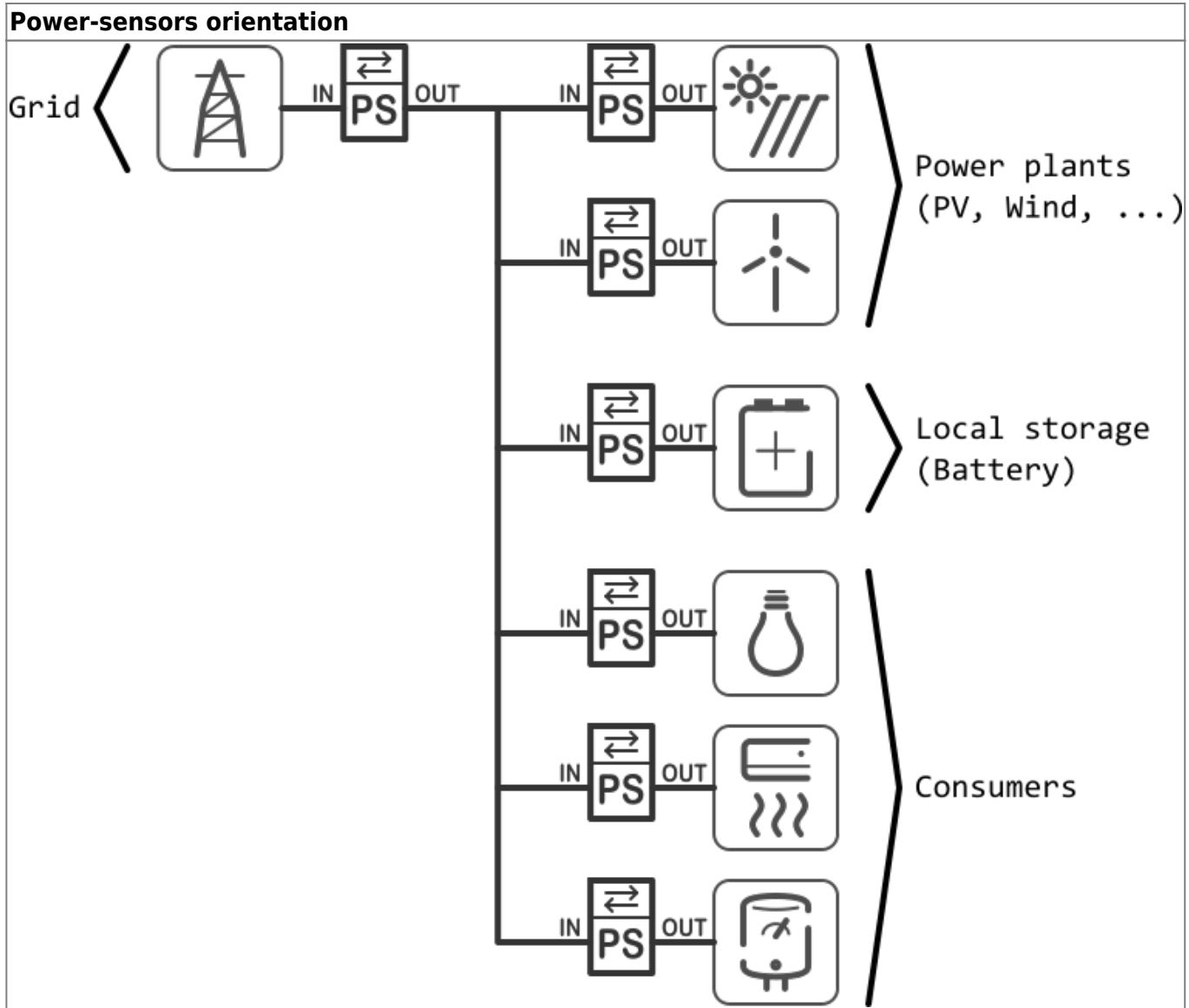


PM3-E-D-CT



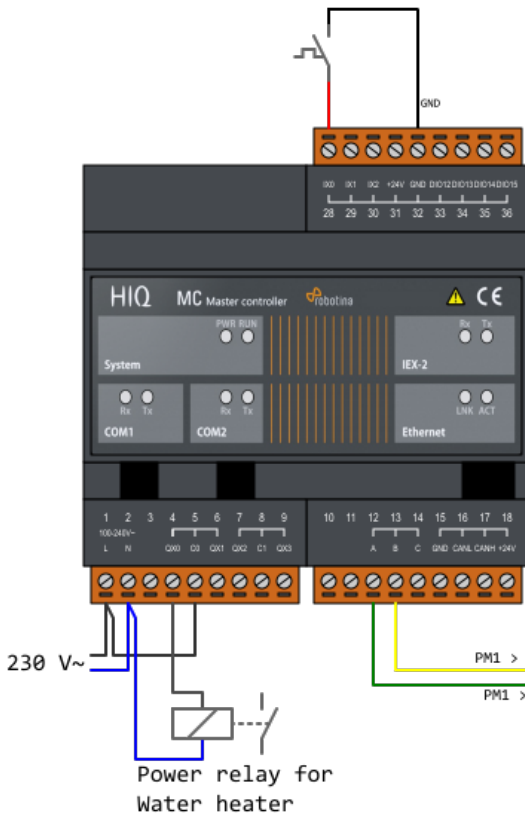
WM-1





Control consumer by external signal

Connect external source to control device, e.g. thermostat signal on IX0 to control temperature by enabling/disabling connected device on QX0.



HEMS configurator

Using HEMS configurator settings page, set Digital 1 for consumer in this case water heater.

CONSUMERS	icon	output	man.time	P nominal
Water heater	Water heater	Digital-1	0 min	2500 W

Using HEMS configurator IO mux page, set QX0 to Digital 1 and IX0 to Enable consumer 1:

	Select input/output type	out mode
QX0	Digital-1	normal
QX1	/	normal
QX2	/	normal
QX3	/	normal
IO12	/	normal
IO13	/	normal
IO14	/	normal
IO15	/	normal
IX0	Enable consumer-1	normal
IX1	/	normal
IX2	/	normal

From: <http://wiki.hiq-home.com/> -

Permanent link: http://wiki.hiq-home.com/doku.php?id=en:hems_v1_2_0:wiring&rev=1636705991

Last update: 2021/11/12 08:33

