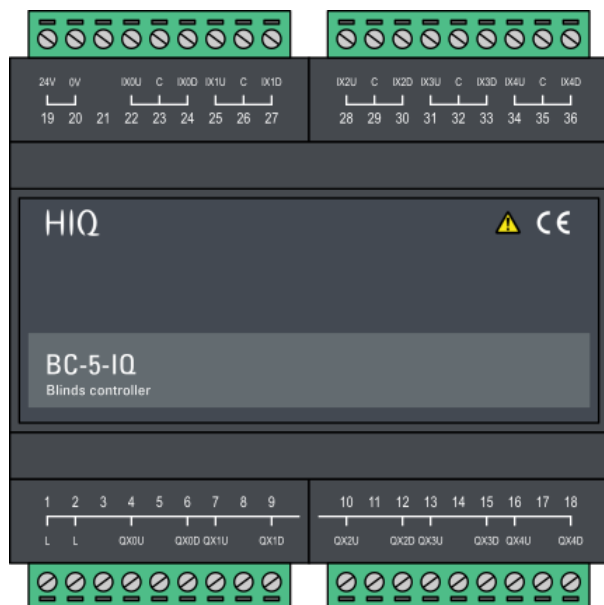


# Blinds controller

## 5x blinds position controller



Model number:	<b>BC-5-IQ</b>
Mounting:	DIN rail, 6M, 106mm
Dimensions:	106x108x58mm

## Applications

- Blinds
- Curtains
- Awnings
- Shades
- Projector screen and lift

Basically all type of bidirectional motorized blinds with built-in limit switches.

## Features

- Smart short/long press positioning
- Easy travel time set-up; different times for both directions
- Optional, adjustable intermediate position
- Automatic correction at boundary position
- PC, smartphone and cloud connectivity

## General description

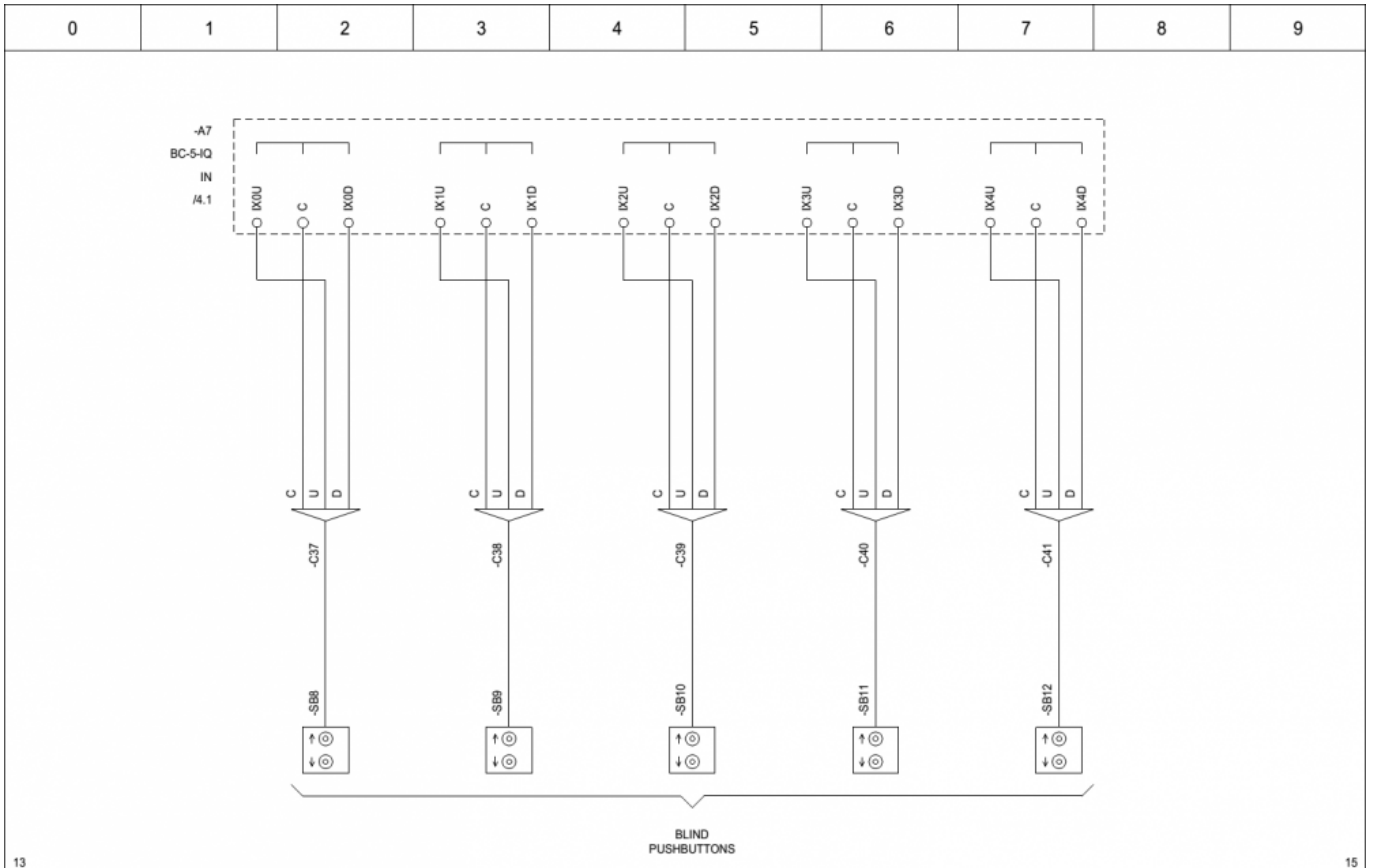
HIQ module for blinds and all kind of shadings driven by 2 way electric motor with integrated limit switches. Local control with up / down buttons. Advanced functionality including smart-phone operation, internet operation, scenes, HIQ automations, automatic weather response and more are provided when connected to HIQ Home Controller.

## Technical specification

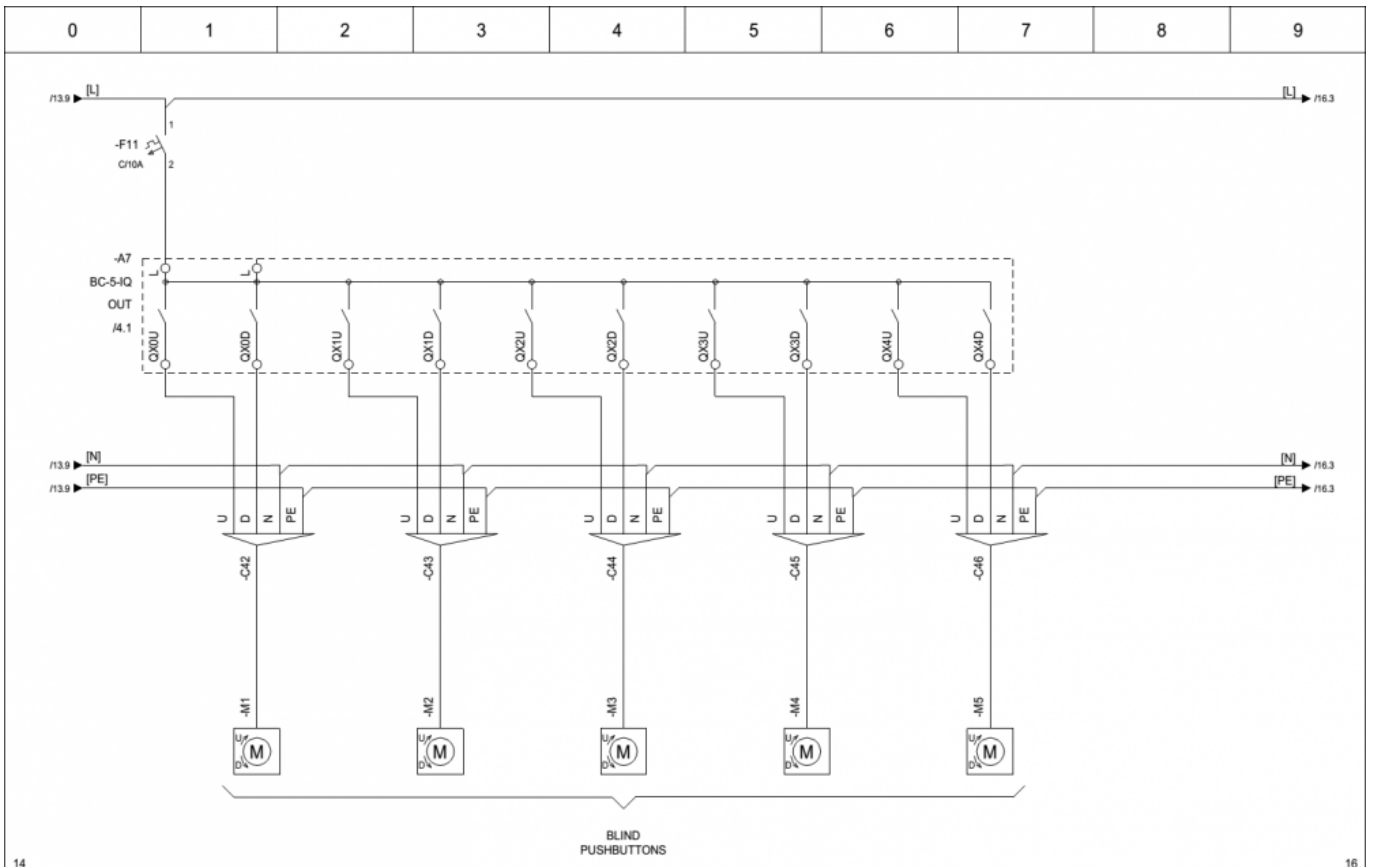
Output power per relay:	200W
Total output power (all relays):	2000W
Inputs	internal pull-up, 12V, 2mA
Maximum input cable length:	50m
Power supply:	24V / max. 95mA
Ingress protection:	IP20
Operating temperature:	0..45°C
Storage temperature:	-20..75°C
Relative humidity:	0..95% n/c

## Terminals

Blinds power supply	<b>L</b>	<b>1</b>	Relay inputs common	Power supply	<b>19</b>	<b>24V</b>	+24 VDC power supply
	<b>L</b>	<b>2</b>			<b>20</b>	<b>0V</b>	0 VDC power supply
		<b>3</b>			<b>21</b>		
Blinds 0 up live	<b>QX0U</b>	<b>4</b>	Relay output 0 up	Digital input 0 up	<b>22</b>	<b>IX0U</b>	Blinds 0 up push-button
		<b>5</b>			<b>23</b>		
Blinds 0 down live	<b>QX0D</b>	<b>6</b>	Relay output 0 down	Digital input 0 down	<b>24</b>	<b>IX0D</b>	Blinds 1 down push-button
Blinds 1 up live	<b>QX1U</b>	<b>7</b>	Relay output 1 up	Digital input 1 up	<b>25</b>	<b>IX1U</b>	Blinds 2 up push-button
		<b>8</b>			<b>26</b>		
Blinds 1 down live	<b>QX1D</b>	<b>9</b>	Relay output 1 down	Digital input 1 down	<b>27</b>	<b>IX1D</b>	Blinds 3 down push-button
Blinds 2 up live	<b>QX2U</b>	<b>10</b>	Relay output 2 up	Digital input 2 up	<b>28</b>	<b>IX2U</b>	Blinds 4 up push-button
		<b>11</b>			<b>29</b>		
Blinds 2 down live	<b>QX2D</b>	<b>12</b>	Relay output 2 down	Digital input 2 down	<b>30</b>	<b>IX2D</b>	Blinds 5 down push-button
Blinds 3 up live	<b>QX3U</b>	<b>13</b>	Relay output 3 up	Digital input 3 up	<b>31</b>	<b>IX3U</b>	Blinds 6 up push-button
		<b>14</b>			<b>32</b>		
Blinds 3 down live	<b>QX3D</b>	<b>15</b>	Relay output 3 down	Digital input 3 down	<b>33</b>	<b>IX3D</b>	Blinds 7 down push-button
Blinds 4 up live	<b>QX4U</b>	<b>16</b>	Relay output 4 up	Digital input 4 up	<b>34</b>	<b>IX4U</b>	Blinds 8 up push-button
		<b>17</b>			<b>35</b>		
Blinds 4 down live	<b>QX4D</b>	<b>18</b>	Relay output 4 down	Digital input 4 down	<b>36</b>	<b>IX4D</b>	Blinds 9 down push-button



13										15
Rev	Revision text	Signature	Date	14/9/2015	 Robotina d.o.o. CIC Kozina 38 SI-6240 Kozina	HC-IQ Automation BC-5-IQ Inputs HIQ wiring	Drawing number 001	Installation = Location +	Pages 17	Page number 14



14										16
Rev	Revision text	Signature	Date	14/9/2015	 Robotina d.o.o. CIC Kozina 38 SI-6240 Kozina	HC-IQ Automation BC-5-IQ Outputs HIQ wiring	Drawing number 001	Installation = Location +	Pages 17	Page number 15

From:

<http://wiki.hiq-universe.com/> -

Permanent link:

[http://wiki.hiq-universe.com/doku.php?id=en:hiq\\_hw:bc-5-iq](http://wiki.hiq-universe.com/doku.php?id=en:hiq_hw:bc-5-iq)

Last update: **2019/07/24 06:36**

