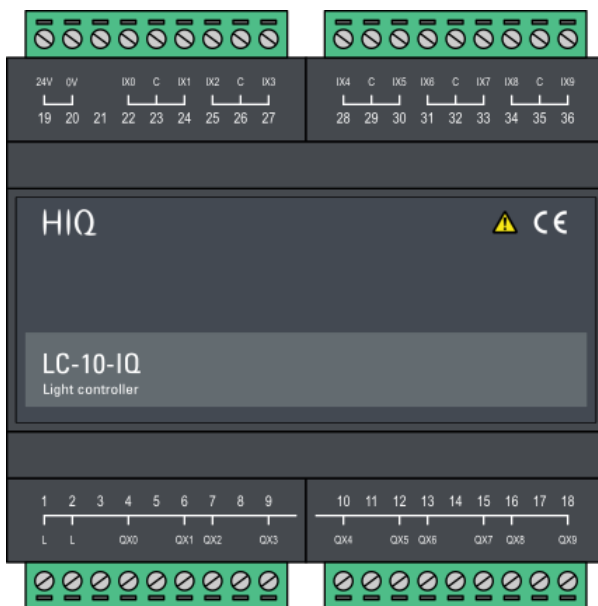


LC-10-IQ

Light controller

10 relay-controlled outputs



Model number:	LC-10-IQ
Mounting:	DIN rail, 6M, 106 mm
Dimensions:	106×108×58 mm

Applications

- general purpose discrete (ON/OFF) lights
- automatic corridor and stairs lights
- door-bell
- managed sockets
- bathroom and other single speed fans
- managed appliances (boiler, oven, electric cooker, ...)

Features

- Configurable output:
 - Normal mode - general purpose light; input toggles light
 - Timer (auto off) mode - transitional lights; often used in combination with a presence sensor
- Configurable input:
 - Normal (toggle push-button)
 - Timer reload (extended time for staircase lighting)
 - Momentary (output is active while input is pressed - used for doorbell)
 - Presence or door sensor (sensor activates light, use timer mode for auto off)
 - Scene set (no direct light action)
- Smart restart after power supply interruption
- Stand alone / HIQ expansion
- PC, smartphone and cloud connectivity

General description

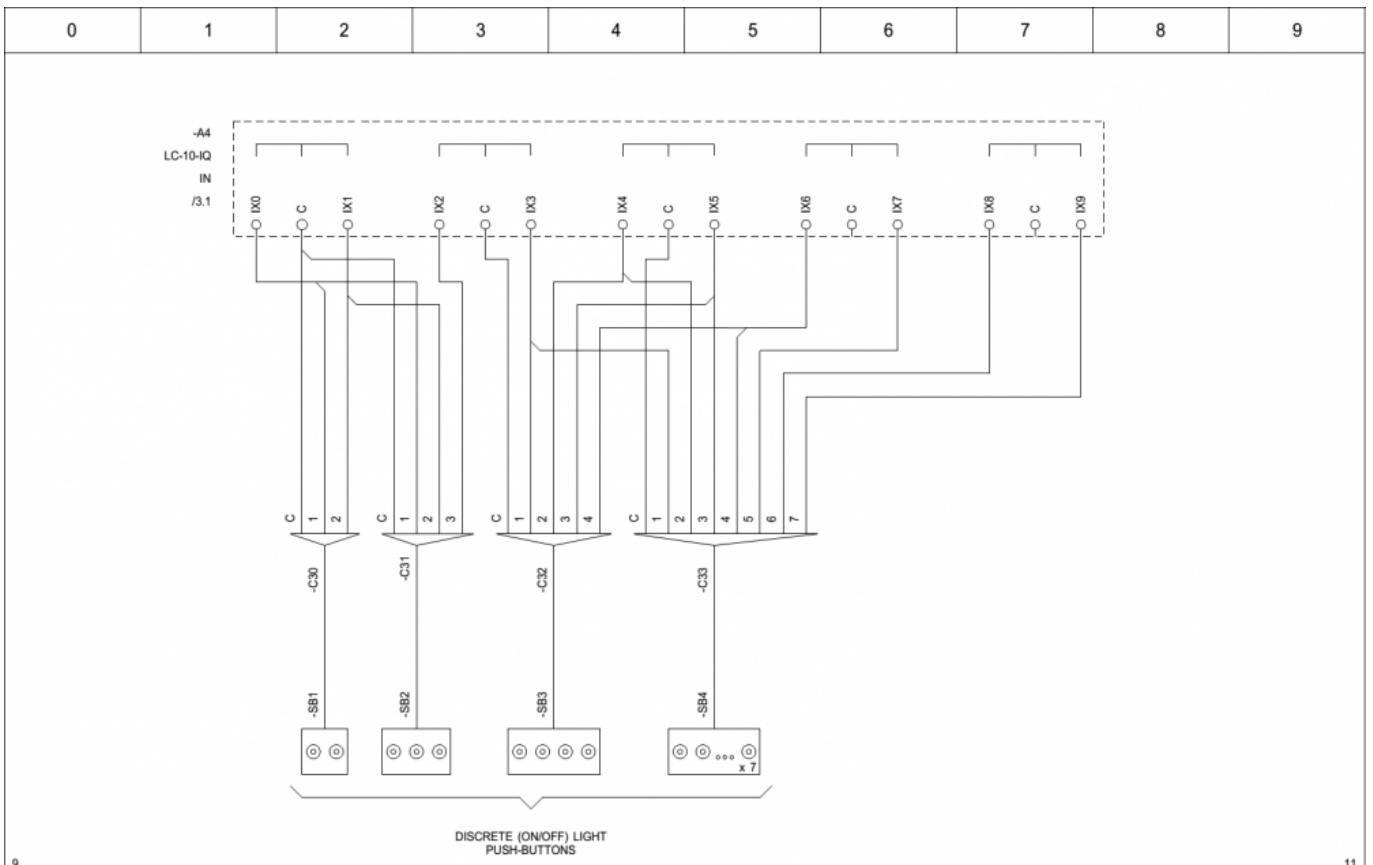
The discrete light controller LC-10-IQ is HIQ intelligent expansion module primarily used for controlling discrete (non-dimmable) lights. Featuring high power relay output, it can control other consumers too (mains sockets, heaters, fans,..). LC-10-IQ can be used as stand-alone or part of the integrated system, when connected to one of HIQ Home Controller. Many features are available in the stand alone mode, while advanced features like scenes, scheduling, smartphone operation, internet connection are only available when connected to the appropriate Home Controller.

Technical specification

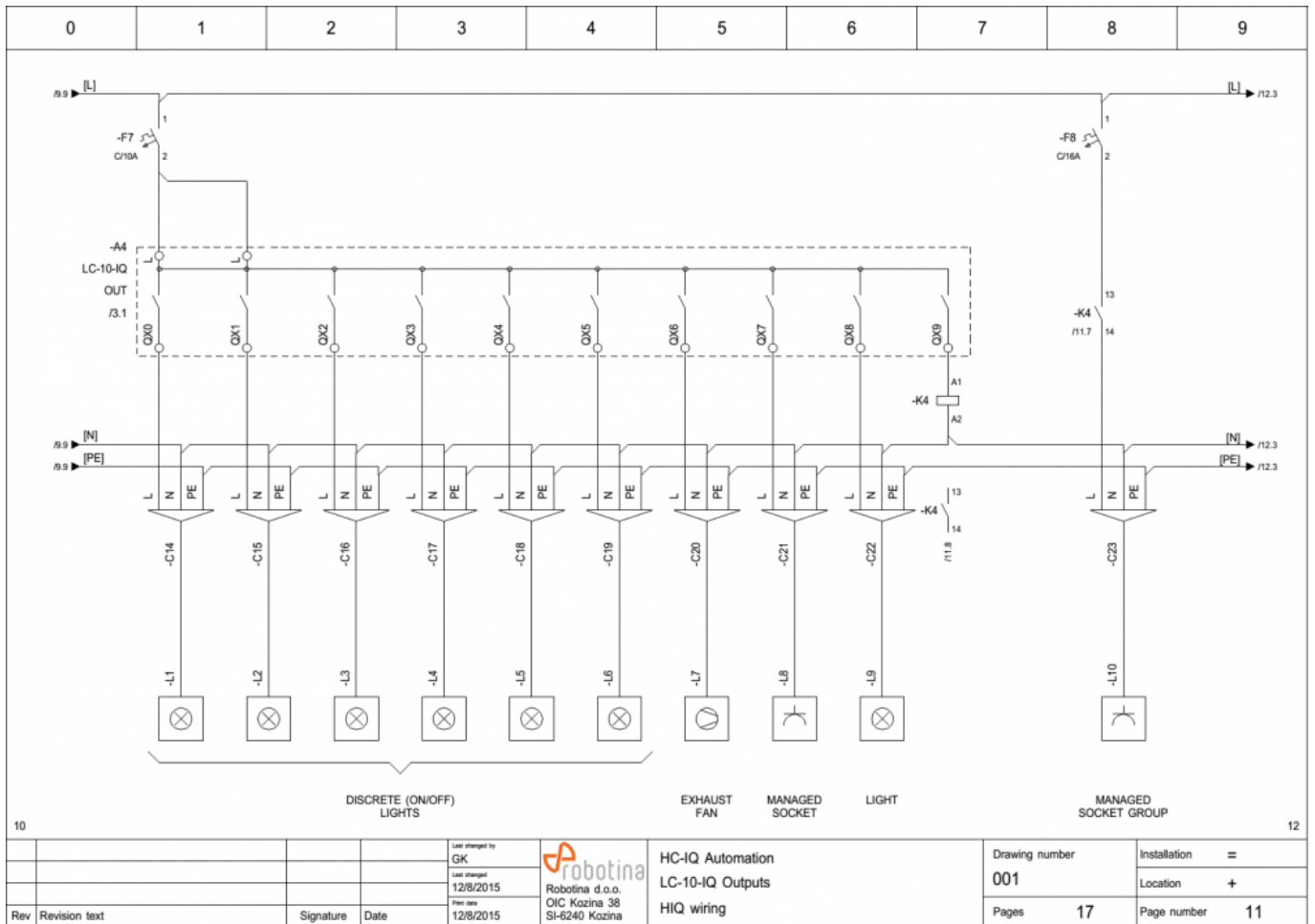
Output power per relay	
- incandescent / halogen 230V	800 W
- halogen 12 V with transformer	400 W
- fluorescent with electronic ballast	400 W
- parallel compensated fluo lamps	250 W / 30 uF
- electric heater	1400 W
Total output power (all relays):	4000 W
Relay rated current:	8 A
Inputs	internal pull-up, 12 V, 2 mA
Maximum input cable length:	50 m
Power supply:	24 V / max. 145 mA
Ingress protection:	IP20
Operating temperature:	0..45 °C
Storage temperature:	-20..75 °C
Relative humidity:	0..95 % n/c

Terminals

Lights power supply	L 1	Relay outputs common	Power supply	19 24V	+24 VDC power supply
	L 2			20 0V	0 VDC power supply
	3			21	
Light 0 live	QX0 4	Relay output 0	Digital input 0	22 IX0	Light 0 push-button
	5			23	
Light 1 live	QX1 6	Relay output 1	Digital input 1	24 IX1	Light 1 push-button
Light 2 live	QX2 7	Relay output 2	Digital input 2	25 IX2	Light 2 push-button
	8			26	
Light 3 live	QX3 9	Relay output 3	Digital input 3	27 IX3	Light 3 push-button
Light 4 live	QX4 10	Relay output 4	Digital input 4	28 IX4	Light 4 push-button
	11			29	
Light 5 live	QX5 12	Relay output 5	Digital input 5	30 IX5	Light 5 push-button
Light 6 live	QX6 13	Relay output 6	Digital input 6	31 IX6	Light 6 push-button
	14			32	
Light 7 live	QX7 15	Relay output 7	Digital input 7	33 IX7	Light 7 push-button
Light 8 live	QX8 16	Relay output 8	Digital input 8	34 IX8	Light 8 push-button
	17			35	
Light 9 live	QX9 18	Relay output 9	Digital input 9	36 IX9	Light 9 push-button



9									11
Rev	Revision text	Signature	Date	12/8/2015	 Robotina d.o.o. OIC Kozina 38 SI-6240 Kozina	Last changed by GK Last changed 11/8/2015 File name 12/8/2015	HC-IQ Automation LC-10-IQ Inputs HIQ wiring	Drawing number 001 Pages 17	Installation = Location + Page number 10



From: <https://wiki.hiq-home.com/> -

Permanent link: https://wiki.hiq-home.com/doku.php?id=en:hiq_hw:lc-10-iq&rev=1563887998

Last update: 2019/07/23 13:19

