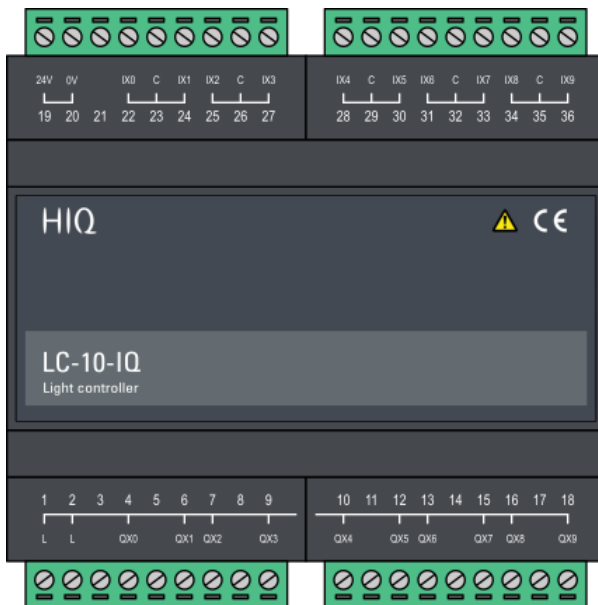


Light controller

10 relay-controlled outputs



| | |
|---------------|----------------------|
| Model number: | LC-10-IQ |
| Mounting: | DIN rail, 6M, 106 mm |
| Dimensions: | 106×108×58 mm |

Applications

- general purpose discrete (ON/OFF) lights
- automatic corridor and stairs lights
- door-bell
- managed sockets
- bathroom and other single speed fans
- managed appliances (boiler, oven, electric cooker, ...)

Features

- Configurable output:
 - Normal mode - general purpose light; input toggles light
 - Timer (auto off) mode - transitional lights; often used in combination with a presence sensor
- Configurable input:
 - Normal (toggle push-button)
 - Timer reload (extended time for staircase lighting)
 - Momentary (output is active while input is pressed - used for doorbell)
 - Presence or door sensor (sensor activates light, use timer mode for auto off)
 - Scene set (no direct light action)
- Smart restart after power supply interruption
- Stand alone / HIQ expansion
- PC, smartphone and cloud connectivity

General description

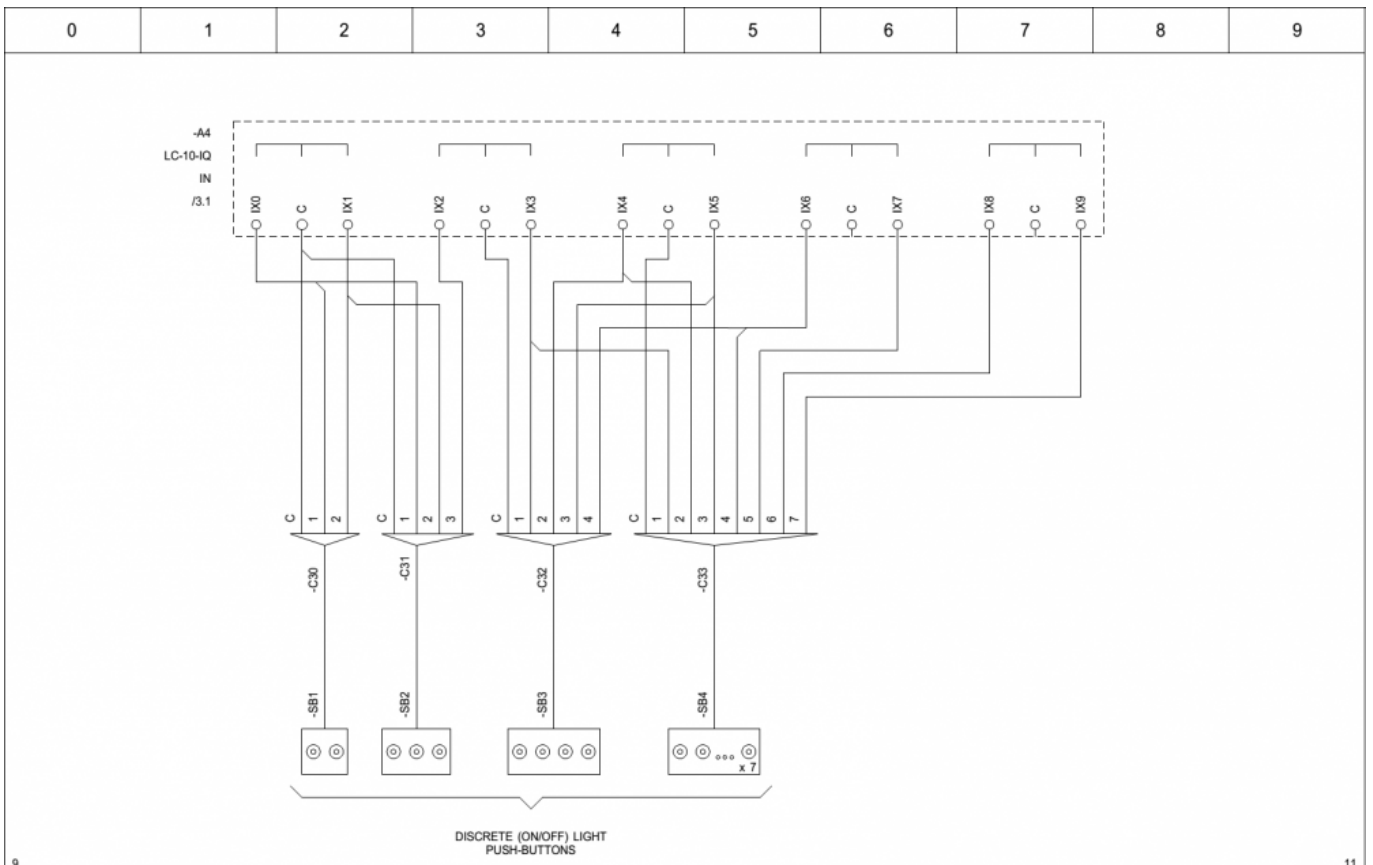
The discrete light controller LC-10-IQ is HIQ intelligent expansion module primarily used for controlling discrete (non-dimmable) lights. Featuring high power relay output, it can control other consumers too (mains sockets, heaters, fans,..). LC-10-IQ can be used as stand-alone or part of the integrated system, when connected to one of HIQ Home Controller. Many features are available in the stand alone mode, while advanced features like scenes, scheduling, smartphone operation, internet connection are only available when connected to the appropriate Home Controller.

Technical specification

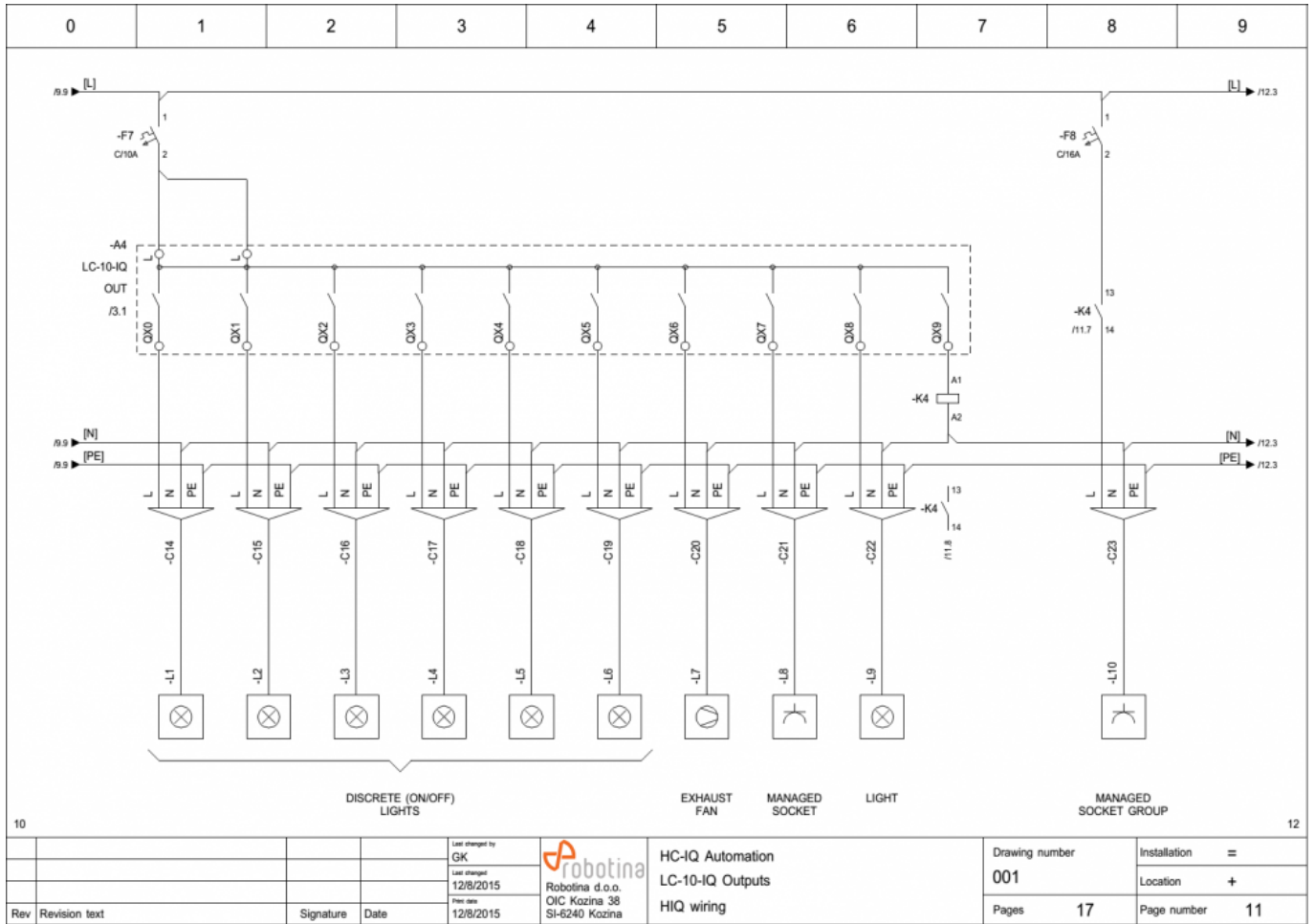
| | |
|---------------------------------------|------------------------------|
| Output power per relay | |
| - incandescent / halogen 230V | 800 W |
| - halogen 12 V with transformer | 400 W |
| - fluorescent with electronic ballast | 400 W |
| - parallel compensated fluo lamps | 250 W / 30 uF |
| - electric heater | 1400 W |
| Total output power (all relays): | 4000 W |
| Relay rated current: | 8 A |
| Inputs | internal pull-up, 12 V, 2 mA |
| Maximum input cable length: | 50 m |
| Power supply: | 24 V / max. 145 mA |
| Ingress protection: | IP20 |
| Operating temperature: | 0..45 °C |
| Storage temperature: | -20..75 °C |
| Relative humidity: | 0..95 % n/c |

Terminals

| | | | | | |
|---------------------|--------|----------------------|-----------------|--------|----------------------|
| Lights power supply | L 1 | Relay outputs common | Power supply | 19 24V | +24 VDC power supply |
| | L 2 | | | 20 0V | 0 VDC power supply |
| | 3 | | | 21 | |
| Light 0 live | QX0 4 | Relay output 0 | Digital input 0 | 22 IX0 | Light 0 push-button |
| | 5 | | | 23 | |
| Light 1 live | QX1 6 | Relay output 1 | Digital input 1 | 24 IX1 | Light 1 push-button |
| Light 2 live | QX2 7 | Relay output 2 | Digital input 2 | 25 IX2 | Light 2 push-button |
| | 8 | | | 26 | |
| Light 3 live | QX3 9 | Relay output 3 | Digital input 3 | 27 IX3 | Light 3 push-button |
| Light 4 live | QX4 10 | Relay output 4 | Digital input 4 | 28 IX4 | Light 4 push-button |
| | 11 | | | 29 | |
| Light 5 live | QX5 12 | Relay output 5 | Digital input 5 | 30 IX5 | Light 5 push-button |
| Light 6 live | QX6 13 | Relay output 6 | Digital input 6 | 31 IX6 | Light 6 push-button |
| | 14 | | | 32 | |
| Light 7 live | QX7 15 | Relay output 7 | Digital input 7 | 33 IX7 | Light 7 push-button |
| Light 8 live | QX8 16 | Relay output 8 | Digital input 8 | 34 IX8 | Light 8 push-button |
| | 17 | | | 35 | |
| Light 9 live | QX9 18 | Relay output 9 | Digital input 9 | 36 IX9 | Light 9 push-button |



| | | | | | | | | | |
|-----|---------------|-----------|------|-----------------------|---------------------------|--|---|-----------------------------------|--|
| 9 | | | | | | | | | 11 |
| Rev | Revision text | Signature | Date | Last changed by GK | Last changed 11/8/2015 | Robotina d.o.o. OIC Kozina 38 SI-6240 Kozina | HC-IQ Automation LC-10-IQ Inputs HIQ wiring | Drawing number 001 Pages 17 | Installation = Location + Page number 10 |



From:
<https://wiki.hiq-home.com/> -

Permanent link:
https://wiki.hiq-home.com/doku.php?id=en:hiq_hw:lc-10-iq&rev=1563949775

Last update: **2019/07/24 06:29**

