

Light controller

8 relay outputs with parallel option

Model number:	LC-8-IQ
Mounting:	DIN rail, 6M, 106 mm
Dimensions:	106×108×58 mm



Applications

- general purpose discrete (ON/OFF) lights
- automatic corridor and stairs lights
- door-bell
- managed sockets
- bathroom and other single speed fans
- managed appliances (boiler, oven, electric cooker, ...)

Features

10A nominal output current
16A nominal current for parallel outputs

power outage:
 <10min - lights come back
 >10min - lights will stay off



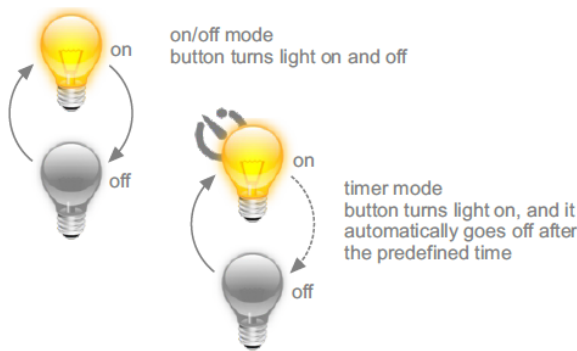
managed socket for devices such as dehumidifier, hi-fi system, floor lamp, portable fan, electric mosquito repellent, electric heater...

Technical specification

Output power per relay	
- incandescent / halogen 230V	1000 W
- halogen 12V with transformer	500 W

- LED with transformer or compact	500 W
- fluorescent with electronic ballast	500 W
- parallel compensated fluo lamps	300 W / 30 uF
- electric heater (any resistive load)	1800 W
Total power for parallel connection:	2800 W
Total power for all outputs together:	4000 W
Maximum switching voltage	250Vac
Dielectric strenght output to output	400Vac
Maximum input cable length:	50 m
Power supply:	24 V / max. 120 mA
Ingress protection:	IP20
Operating temperature:	0..45 °C
Storage temperature:	-20..75 °C
Relative humidity:	0..95 % n/c
Weight:	280g

Output mode



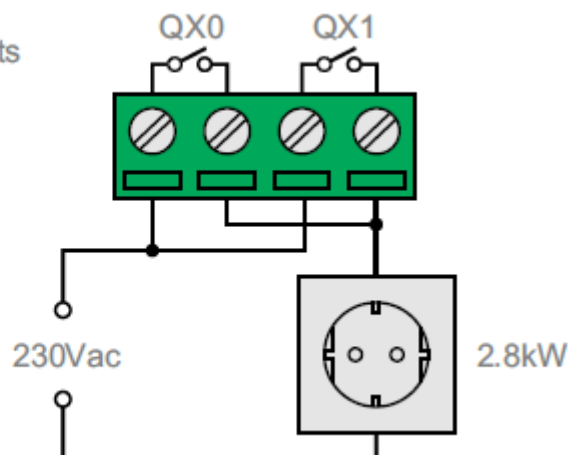
Input mode



Input mode defines how an input controls the output. Toggle, staircase, doorbell, motion and door sensor are handled internally. Scene and ready light are handled by master controller.

Parallel outputs

For maximum power, two outputs can be connected in parallel. Fully synchronous operation is ensured by firmware.



Terminals



From:
<http://wiki.hiq-home.com/> -

Permanent link:
http://wiki.hiq-home.com/doku.php?id=en:hiq_hw:lc-8-iq&rev=1641379874

Last update: **2022/01/05 10:51**

