

# DALI dimmer

## ballast controller for 8 DALI groups



Model number:	<b>LD-D8-IQ</b>
Mounting:	DIN rail, 2M / 35mm
Dimensions:	36×108×58mm

## Applications

- dimmable lights with DALI bus compatible ballast

## Features

- 2 direct controlled groups (push-buttons) + 6 controlled from scene/app or from push button on LC-10-IQ, HC-IQ or Cybro-3/MC
- maximum 64 DALI ballasts
- internal DALI power source - no additional power source needed

## General description

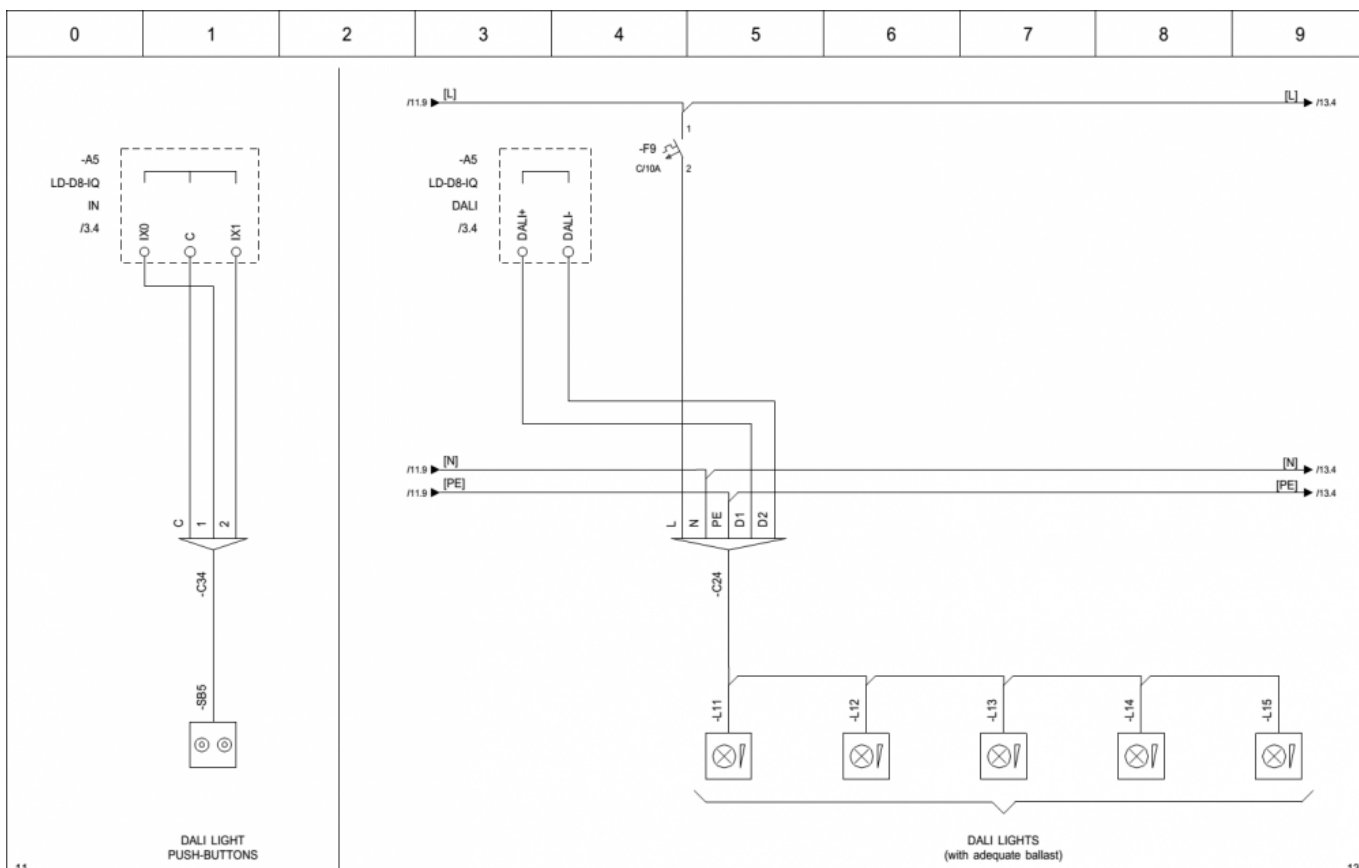
The DALI dimmer LD-D8-HIQ is hIQ module capable of controlling up to 8 individual DALI groups. Integrated DALI power supply can power up to 64 DALI ballasts. First two DALI channels are directly controlled with push-buttons connected to module digital inputs. Module can manage additional 6 DALI groups for mood-lighting, which can be controlled from applications.

# Technical specification

Analog inputs:	10k / 1-10 V; auto-range
Digital inputs:	internal pull-up, 12V, 2mA
Multi-sensor input:	Philips LRI8133, RJ12
DALI output:	max. 64 ballasts/200mA
Power supply:	24V/35mA (235mA with DALI)
Ingress protection:	IP20
Operating temperature:	0..45°C
Storage temperature:	-20..75°C
Relative humidity:	0..95% n/c

# Terminals

DALI group 1 push-button	<b>IX0 1</b>	Digital input 0		<b>4</b>	Not connected
Push-buttons common	<b>C 2</b>	Inputs common	DALI bus	<b>8 DALI+</b>	DALI bus
DALI group 1 push-button	<b>IX1 3</b>	Digital input 1		<b>9 DALI-</b>	



Rev	Revision text	Signature	Date	14/9/2015	 Robotina d.o.o. OIC Kozina 38 SI-6240 Kozina	Last changed by GK Last changed 12/8/2015 Project name HC-IQ Automation LC-D8-IQ Inputs / Outputs HIQ wiring	Drawing number 001 Pages 17	Installation = Location + Page number 12
-----	---------------	-----------	------	-----------	--	---	--------------------------------------	---

From:  
<https://wiki.hiq-universe.com/> -

Permanent link:  
[https://wiki.hiq-universe.com/doku.php?id=en:hiq\\_hw:ld-d8-iq](https://wiki.hiq-universe.com/doku.php?id=en:hiq_hw:ld-d8-iq)

Last update: **2020/06/03 07:13**

