

DALI dimmer

ballast controller for 8 DALI groups



| | |
|---------------|---------------------|
| Model number: | LD-D8-IQ |
| Mounting: | DIN rail, 2M / 35mm |
| Dimensions: | 36×108×58mm |

Applications

- dimmable lights with DALI bus compatible ballast

Features

- 2 direct controlled (push-buttons) + 6 (controlled only from scene/app) independent DALI groups
- maximum 64 DALI ballasts
- internal DALI power source - no additional power source needed

General description

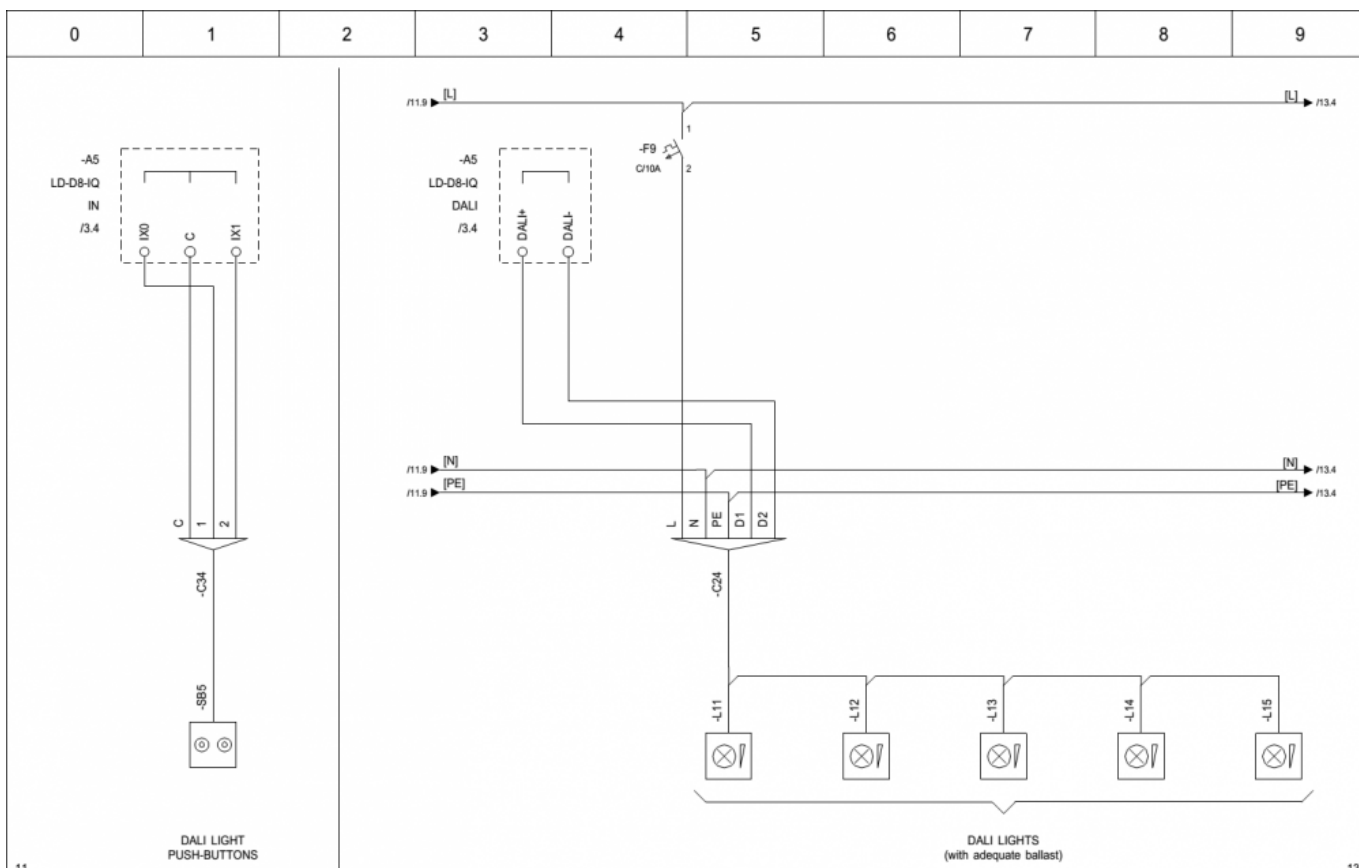
The DALI dimmer LD-D8-HIQ is hIQ module capable of controlling up to 8 individual DALI groups. Integrated DALI power supply can power up to 64 DALI ballasts. First two DALI channels are directly controlled with push-buttons connected to module digital inputs. Module can manage additional 6 DALI groups for mood-lighting, which can be controlled from applications.

Technical specification

| | |
|------------------------|----------------------------|
| Analog inputs: | 10k / 1-10 V; auto-range |
| Digital inputs: | internal pull-up, 12V, 2mA |
| Multi-sensor input: | Philips LRI8133, RJ12 |
| DALI output: | max. 64 ballasts/200mA |
| Power supply: | 24V/35mA (235mA with DALI) |
| Ingress protection: | IP20 |
| Operating temperature: | 0..45°C |
| Storage temperature: | -20..75°C |
| Relative humidity: | 0..95% n/c |

Terminals

| | | | | | |
|--------------------------|--------------|-----------------|----------|----------------|---------------|
| DALI group 1 push-button | IX0 1 | Digital input 0 | | 4 | Not connected |
| Push-buttons common | C 2 | Inputs common | DALI bus | 8 DALI+ | DALI bus |
| DALI group 1 push-button | IX1 3 | Digital input 1 | | 9 DALI- | |



| | | | | | | | | |
|-----|---------------|-----------|------|-----------|--------------------------------------------------------|-----------------------------------------------------------------------------------------------------------------------------------|--------------------------------------|---------------------------------------------------|
| Rev | Revision text | Signature | Date | 14/9/2015 | Robotina d.o.o. OIC Kozina 38 SI-6240 Kozina | Last changed by GK Last changed 12/8/2015 Project name HC-IQ Automation LC-D8-IQ Inputs / Outputs HIQ wiring | Drawing number 001 Pages 17 | Installation = Location + Page number 12 |
|-----|---------------|-----------|------|-----------|--------------------------------------------------------|-----------------------------------------------------------------------------------------------------------------------------------|--------------------------------------|---------------------------------------------------|

From:
<http://wiki.hiq-home.com/> -

Permanent link:
http://wiki.hiq-home.com/doku.php?id=en:hiq_hw:ld-d8-iq&rev=1563950355

Last update: **2019/07/24 06:39**

