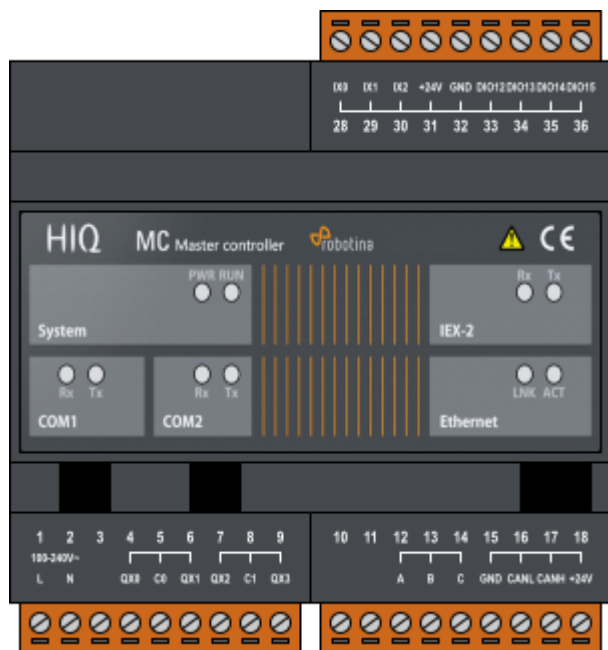


# Master Controller

## Advanced Controller



Model number:	<b>MC-24-01</b>	24 VAC, 11 IO, Enocean, 2 × RS232, RS485, IEX2 terminals
	<b>MC-24-02</b>	24 VAC, 11 IO, 2 × RS232, RS485, IEX2 terminals
Mounting:	DIN rail, 6M, 106mm	
Dimensions:	106x108x58mm	

## Features

- Sources and consumers measurements:
  - 1 × Grid
  - 3 × Local power plants (PV, wind, cogeneration,...)
  - 2 × Storage system (battery)
  - 4 × Consumers
- Load management
  - 4 × Consumers
  - Manual control
  - Manual override timer
  - Weekly timetable, 15 min resolution

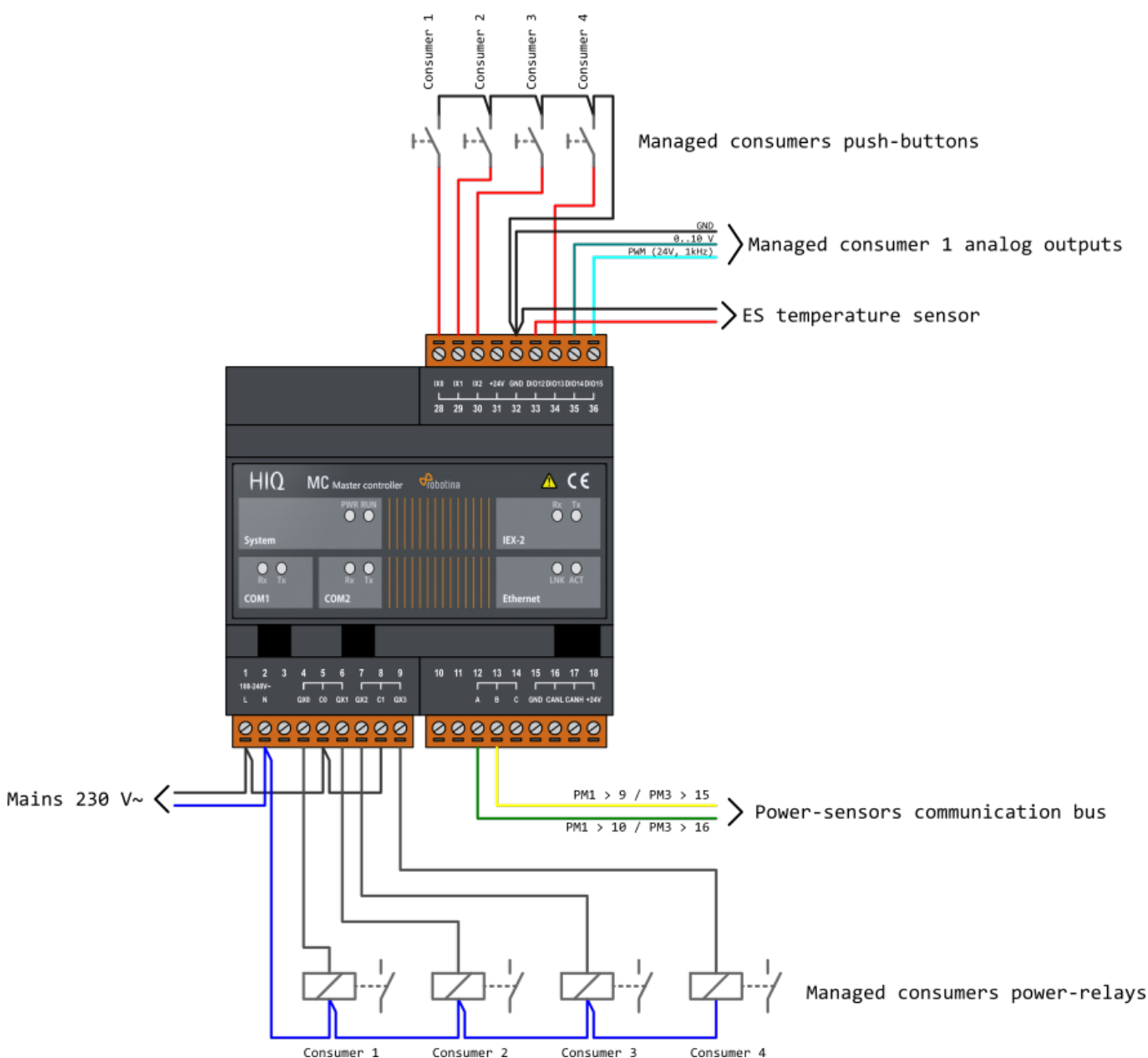
## Safety standards

EN 50081-1, EN 61000-6-2, EN 61131-1, EN 61131-2, EN 61000-3-2, EN 61000-3-3

# Technical specification

Relay outputs:	8A/250V
Communication:	Ethernet, 2x RS232, 1x RS485, IEX-2 bus
Nominal power rating:	24 VDC
Power consumption:	typ. 1W (no load), 10W max
Power output:	24V 200mA (IEX-2 + terminals)
Ingress protection:	IP20
Operating temperature:	0..45°C
Storage temperature:	-20..75°C
Relative humidity:	0..95% n/c

## Terminals



From:  
<http://wiki.hiq-home.com/> -

Permanent link:  
[http://wiki.hiq-home.com/doku.php?id=en:hiq\\_hw:mc-24&rev=1563956527](http://wiki.hiq-home.com/doku.php?id=en:hiq_hw:mc-24&rev=1563956527)

Last update: **2019/07/24 08:22**

