

Master Controller

Advanced Controller



Model number:	MC-24-01	24 VDC, 11 IO, Enocan, 2 × RS232, RS485, IEX2 terminals
	MC-24-02	24 VDC, 11 IO, 2 × RS232, RS485, IEX2 terminals
	MC-24-03	24 VDC, 11 IO, Enocan, 2 × RS232, isolated RS485, IEX2 terminals
	MC-24-04	24 VDC, 11 IO, 2 × RS232, isolated RS485, IEX2 terminals
Mounting:	DIN rail, 6M, 106mm	
Dimensions:	106x108x58mm	

Features

- 3 digital inputs
- 4 relay outputs 8 A
- 4 universal inputs/outputs
- Ethernet, USB, IEX-2, 2×RS232, 1×RS485 (optional isolated)
- Enocan gateway (optional)
- 24 VDC power supply

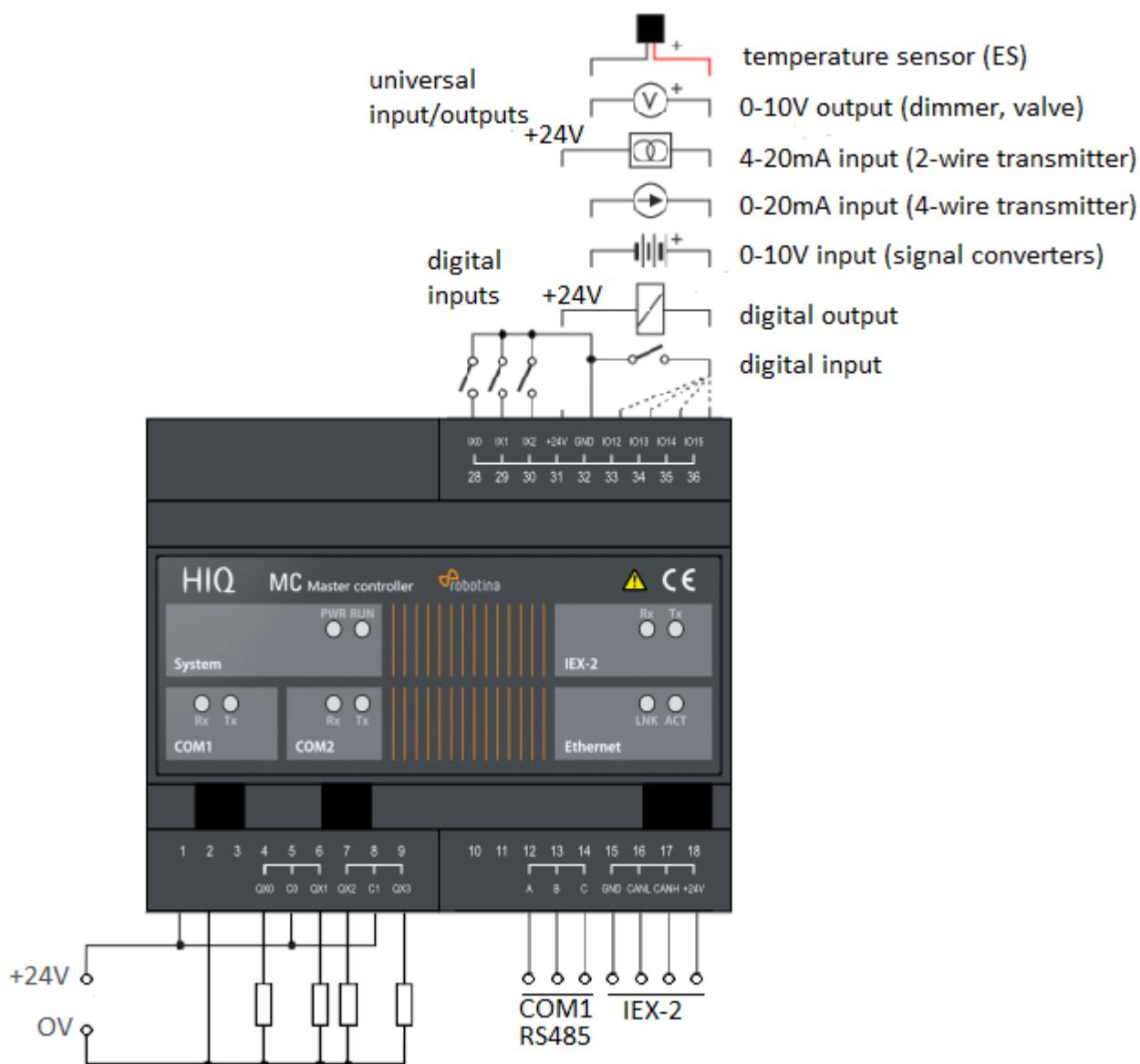
Safety standards

EN 61010-1, EN 61010-2-201, EN 61131-2

Technical specification

Relay outputs:	8A/250V resistive
Communication:	Ethernet, 2x RS232, 1x RS485, IEX-2 bus
Nominal power rating:	24 VDC
Power consumption:	50 mA (no load), 180 mA max
Ingress protection:	IP20
Operating temperature:	0..50°C
Storage temperature:	-40..85°C
Relative humidity:	0..85% n/c

Terminals



From:
<http://wiki.hiq-home.com/> -

Permanent link:
http://wiki.hiq-home.com/doku.php?id=en:hiq_hw:mc-24&rev=1604906612

Last update: **2020/11/09 07:23**

