

Single phase power-sensor

Single phase power-sensor



Model number:	PM1-E-D
Connect to:	MC-230
	RS485 power sensor bus A - B
Mounting:	DIN rail, 1M, 18 mm
Dimensions:	18 x 62 x 119 mm
Used for measuring power and energy of	
✓	single-phase energy sources
✓	single-phase energy consumers

Applications

- Digital multi-function power-sensor for single phase networks

Features

- DIN rail mounting with direct connection up to 45A
- Compact design in a single module 18mm wide
- Seal-able cover(phase and neutral terminals)

General description

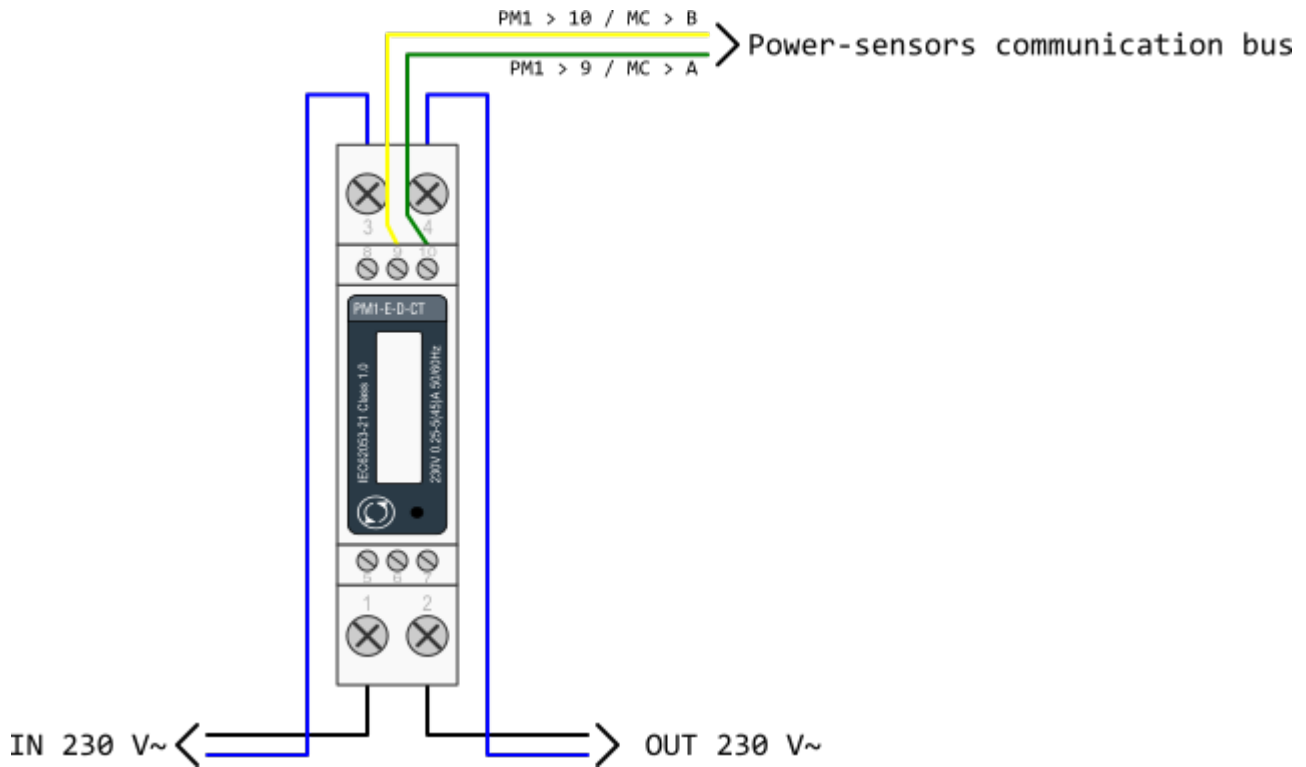
The PM1-E-D series is an advanced single phase energy monitoring solution with built-in configuration push button and LCD data displaying, particularly indicated for active energy and other parameters metering and for cost allocation. Housing for DIN-rail mounting, IP51 protection degree, direct connection up to max 45A.

Technical specifications

Energy Measurements	
Imported/Exported active energy	0 to 99999.99 kWh
Imported/Exported reactive energy	0 to 99999.99 kVARh
Total active energy	0 to 99999.99 kWh
Total reactive energy	0 to 99999.99 kVARh
Measured Inputs	
Nominal Voltage Input	(Ph+N) 176 to 276V
Max Continuous Voltage	120% of nominal
Nominal Input Current	5(45)A
Max Continuous Current	120% of nominal
Frequency	50Hz (±10%)
Accuracy	
Voltage	0.5% of range maximum
Current	0.5% of nominal
Frequency	0.2% of mid-frequency
Power factor	1% of unity (0.01)
Active power (W)	±1% of range maximum
Reactive power (VAR)	±1% of range maximum
Apparent power (VA)	±1% of range maximum
Active energy (Wh)	Class 1 IEC 62053-21
Reactive energy (VARh)	±1% of range maximum
Modbus (RS485 Output for Modbus RTU & Pulsed Output)	
Baud rate	1200, 2400, 4800, 9600.
Parity	none / odd / even
Stop bits	1 or 2
RS485 network address	1 to 247
Reference Conditions of Influence Quantities	
Ambient temperature	23°C ±1°C
Input waveform	50 or 60Hz ±2%
Input waveform	Sinusoidal (distortion factor < 0.005)
Auxiliary supply voltage	Nominal ±1%
Auxiliary supply frequency	Nominal ±1%
Auxiliary supply waveform (if AC)	Sinusoidal (distortion factor < 0.05)
Magnetic field of external origin	Terrestrial flux
Environment	
Operating temperature	-25°C to +55°C
Storage temperature	-40°C to +70°C
Relative humidity	0 to 95%, non-condensing
Altitude	Up to 3000m
Warm up time	1 minute
Vibration	10Hz to 50Hz, IEC 60068-2-6, 2g
Shock	30g in 3 planes
Mechanics	
DIN rail dimensions	18mm x 90mm (WxH) per DIN 43880

Mounting	DIN rail (DIN 43880)
----------	----------------------

PM1-E-D Wiring



sdm120_series_datasheet.pdf
sdm120_protocol.pdf

From:
<http://wiki.hiq-home.com/> -

Permanent link:
http://wiki.hiq-home.com/doku.php?id=en:hiq_hw:pm1-e-d&rev=1563956175

Last update: 2019/07/24 08:16

