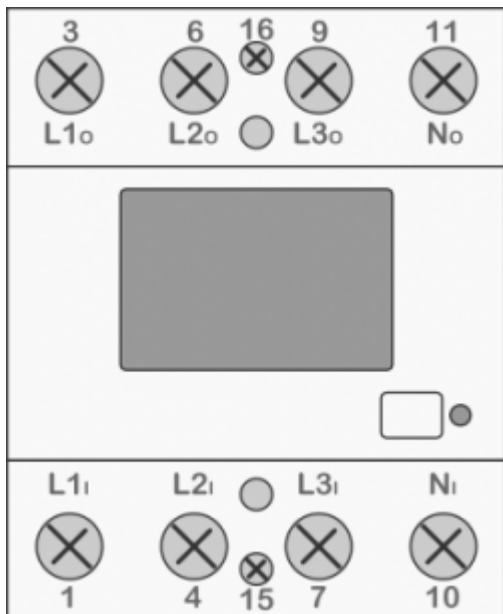


Three phase power-sensor

Three phase power-sensor



Model number:	PM3-I-D
Connect to:	MC-230 RS485 power sensor bus A - B
Mounting:	DIN rail, 3M, 53 mm
Dimensions:	53 × 84 × 66 mm
Used for measuring power and energy of	
✓	three-phase energy sources
✓	three-phase energy consumers

Applications

- Digital multi-function power-sensor for 3-phase sources or consumers

Features

- Three phase direct connection up to 65 A
- Serial RS485 communication
- Display LCD 7+1 digit
- Multi-functional front LED

General description

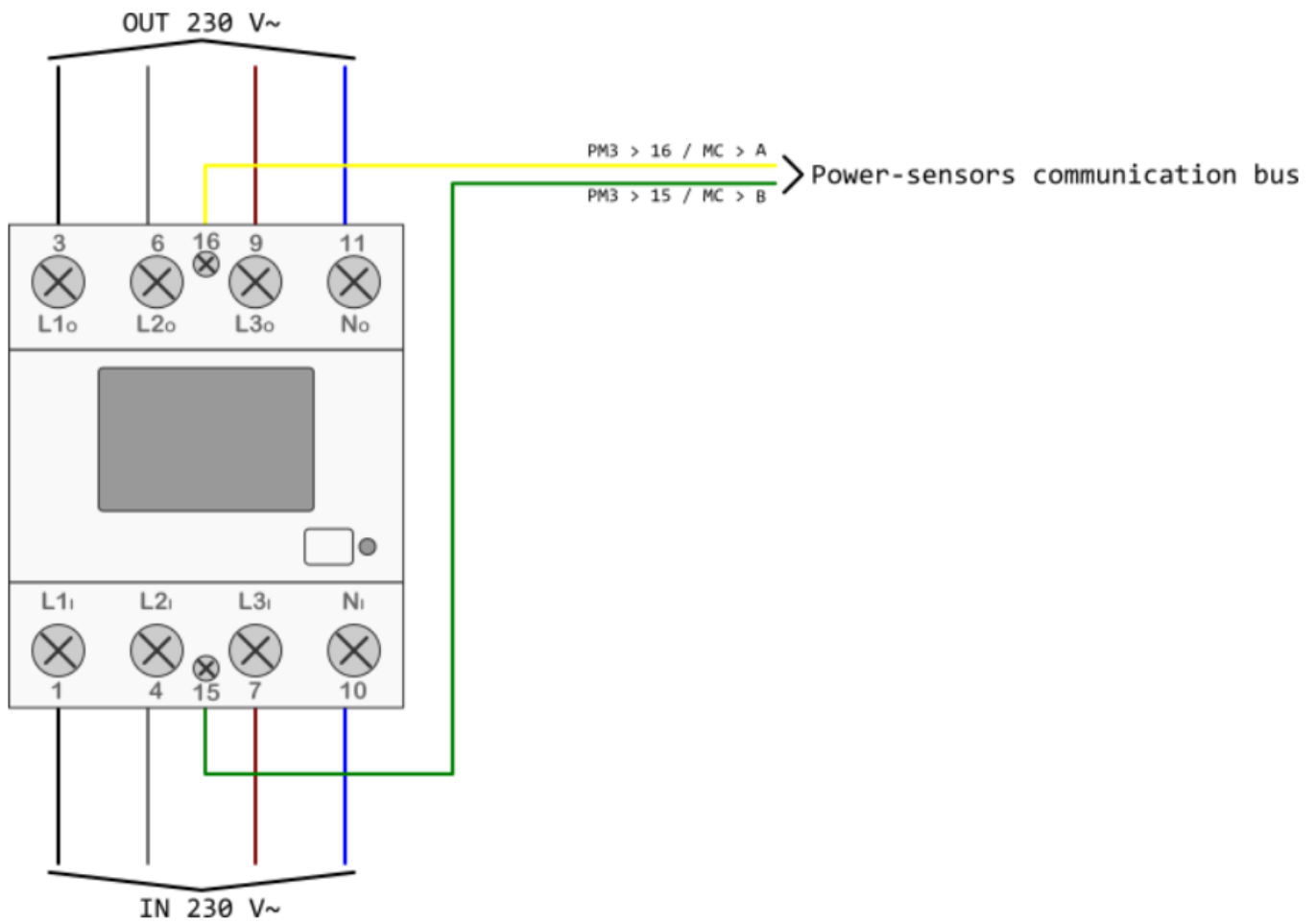
The PM-3-IQ is intended for energy measurements in three-phase electrical power network and can be used in residential, industrial and utility applications. Power-sensor measures energy directly in 4-wire networks according to the principle of fast sampling of voltage and current signals.

Connecting terminals can be sealed up against non-authorized access with protection covers. They are built to be fastened according to EN 60715 standard. Power-sensor has built-in RS485 serial communication with the MODBUS protocol which enables data transmission and thus connection of the measuring places into the network for the control and management with energy.

Technical specifications

Nominal voltage	3×230/400 VAC (-20..+15%)
Power connector	1,5 .. 16 mm ²
Reference current	5 A
Maximum current	65 A
Operational frequency range	50 or 60 Hz
Internal power consumption	< 8 VA
Communication type	RS485(half-duplex)
Communication protocol	Modbus RTU
Accuracy	
Active energy (Wh)	Class 1 IEC 62053-21
	class B EN 50470-3
	±1.5% from I _{min} to I _{tr}
	±1% from I _{tr} to I _{max}
Ambient conditions and Safety	
Dust/water protection	IP50
Operating temp. range	-25 ... 55°C
Indoor sensor	yes
Protection class	II
EC Directives conformity	
EC Directive on Measuring Instruments 2014/32/EU	
EC Directive on EMC 2014/30/EU	
EC Directive on Low Voltage 2014/35/EU	
EC Directive WEEE 2002/96/EC	

Connection



Manual

PM3-I-D Technical Documentation

From:
<http://wiki.hiq-home.com/> -

Permanent link:
http://wiki.hiq-home.com/doku.php?id=en:hiq_hw:pm3-i-d&rev=1563956107

Last update: **2019/07/24 08:15**

