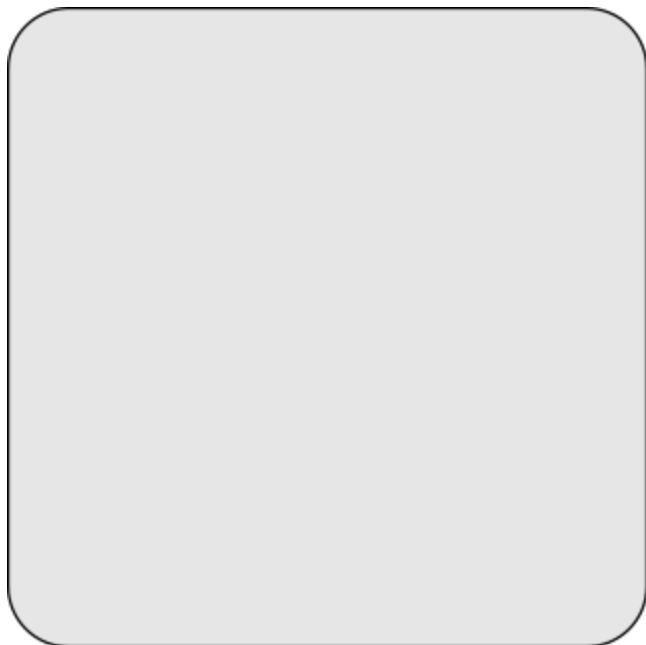


Temperature and humidity sensor

Room temperature and humidity sensor



Model number:	TS-H
Mounting:	on-wall
Dimensions:	71×71×27mm
Require:	
IEX-2 bus expander	CAD-BE-PROT-IQ
Compatible external sensors:	
ES temperature probe	ES

Applications

- room temperature and humidity measurements

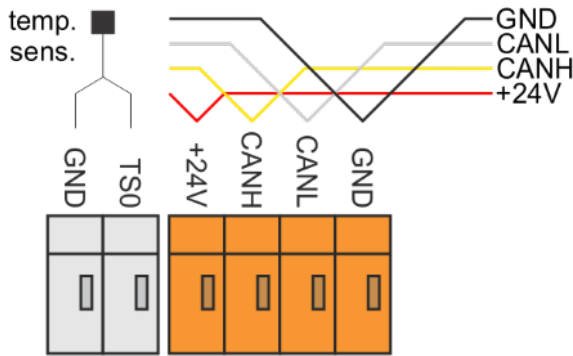
Technical specification

Temperature measurement	internal and external
	range: 0°C to +50°C
	error: max. ±2°C (0°C to +50°C)
	typ. ±0.5°C (0°C to +50°C, backlight at 20%)
	resolution: 0.1°C (12 bit)
Humidity measurement	readout: 0.1°C (254 equals 25.4°C)
	internal
	range: 0..100% rh, non-condensing
	error: ±2% rh @ 25°C
	response time 15s
	stability ±1% rh @ 50% rh in 5 years
	resolution 1% (7 bit)
readout 1% rh (45 equals 45% rh)	
Power consumption	24V (18..26V), 15mA
IEX-2 baud rate	20, 50, 100, 250, 500kbps, auto selectable
Degree of protection	IP20
Operating conditions	0..50°C, 0..85% rh non-condensing

Storage temperature	-20..75°C
Mounting	wall surface
Dimension	71x71x27mm
Weight gross	100g
Level of ambient pollution	2
Standards	EN 61000-6-2, EN 61000-6-3

Terminals

TS-H		
GND	BE-PROT-IQ	GND
CANL		CANL
CANH		CANH
+24V		+24V
TS0	ES	red
GND		black



From: <https://wiki.hiq-universe.com/> -

Permanent link: https://wiki.hiq-universe.com/doku.php?id=en:hiq_hw:ts-h

Last update: **2019/08/14 10:49**

