

# Wireless Modbus-to-Modbus bridge

## Wireless Modbus-to-Modbus bridge





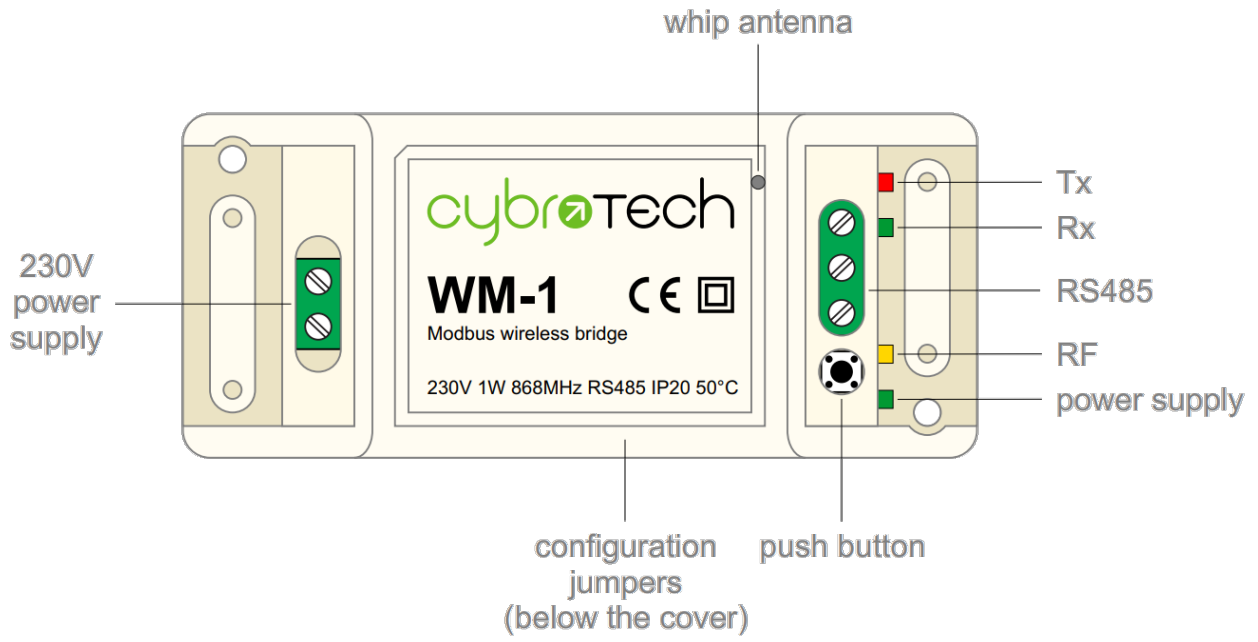
Model number:	<b>WM-1</b>
Frequency:	ISM 868MHz (EU)
Dimensions:	93x45x27 mm

## Applications

- Replacement for RS485 wiring solution with wireless. Optimal for long range Modbus RTU serial communications with half duplex configuration.

## Installation

-  Carefully open WM-1 module and configure serial communication with jumpers. (Default configuration is 9600bps, 8N1 with normal timeout)
-  Place WM-1 module at least 10cm from other objects. Installation is not recommended inside metal cabinets.
- Connect RS485 terminals to WM-1 RS485 terminals
  - A - A
  - B - B
  - C - GND
- Connect to 230V power supply
- Configure radio pairing



## Features

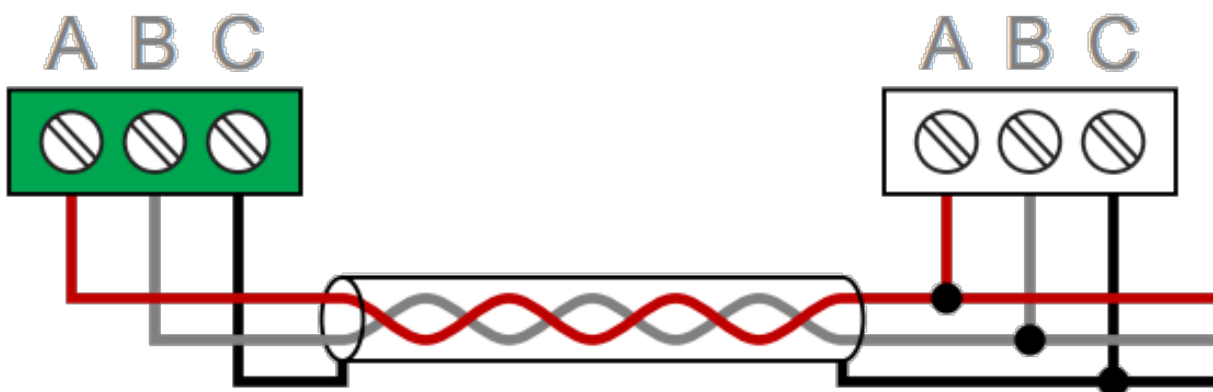
- replacement for RS485 wiring
- Modbus RTU serial protocol
- wired/wireless combinations
- very long range, no hopping
- protected private connection
- multiple slaves per device
- multiple addressable groups

## Technical specification

Power supply:	230V, 50/60Hz, 1W
Ingress protection:	IP20
Operating temperature:	-20..50°C
Storage temperature:	-40..85°C
Relative humidity:	0..85% n/c

## Terminals and wiring

To power sensor	<b>A</b>	RS485 bus
	<b>B</b>	
	<b>C</b>	
To power supply	<b>L</b>	230V AC
	<b>N</b>	



From:  
<https://wiki.hiq-home.com/> -

Permanent link:  
[https://wiki.hiq-home.com/doku.php?id=en:hiq\\_hw:wm-1&rev=1634734696](https://wiki.hiq-home.com/doku.php?id=en:hiq_hw:wm-1&rev=1634734696)

Last update: **2021/10/20 12:58**



