

# Motion sensor

## Passive infrared detector on wall or ceiling



Model number:	<b>IR-A6-LC</b>
Connects to:	digital input
Mounting:	On wall or ceiling

## Applications

- Motion detector
- Ready light
- Intrusion detector
- Lighting control
- Hotel GRMS

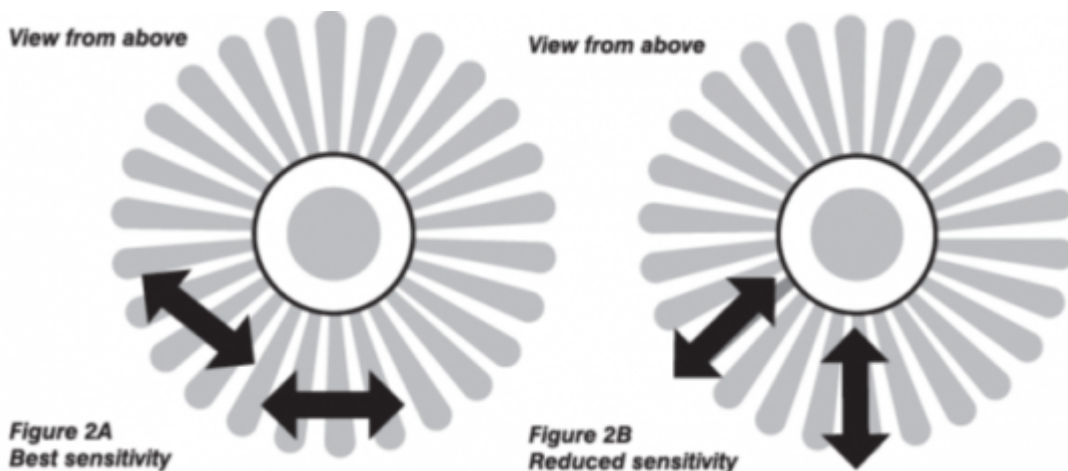
## Features

- Aestetical look
- Easy mount

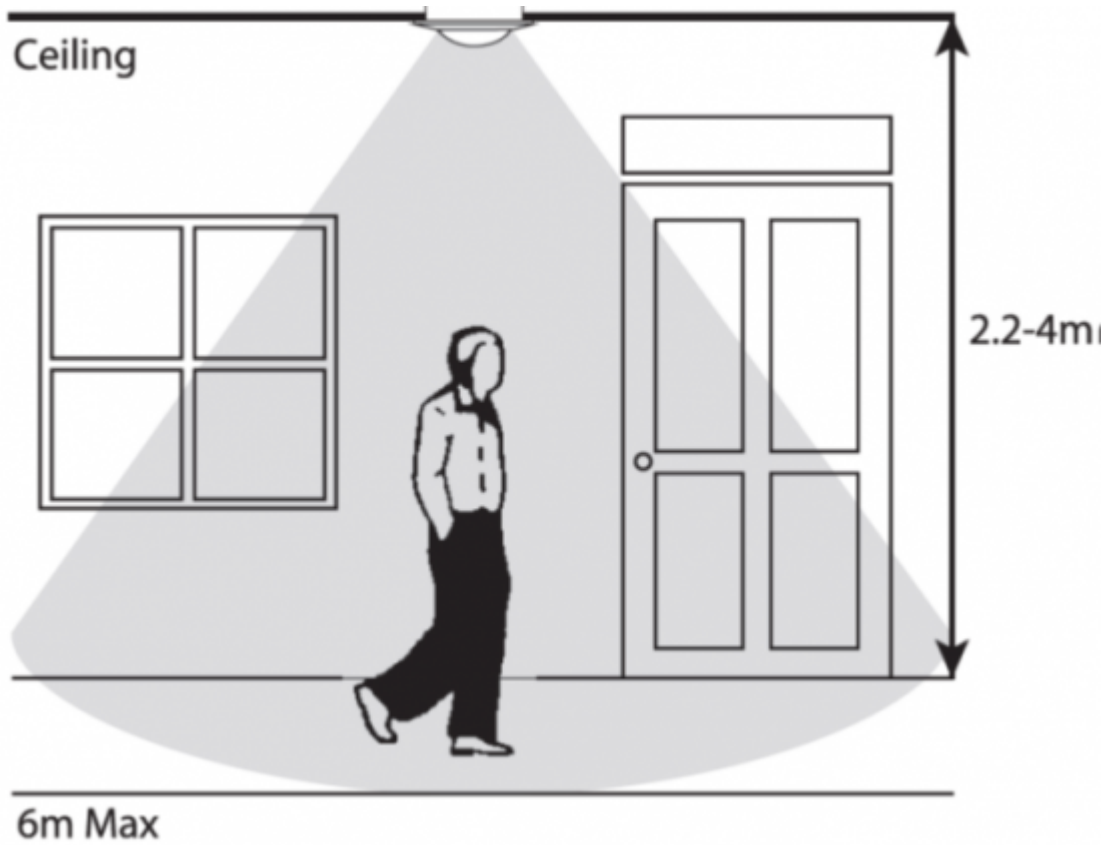
## Installation instruction

- Do not install the detector at position which faces direct or reflected sunlight or near windows with direct car headlight.
- Ensure that there are no obstructions (plants, screens, furniture etc.) in the field of view that may cause incorrect cover/operation of the detector.
- Avoid locating the detector in areas that contain equipment that may change the environment temperature rapidly (i.e. above radiator or under the air-conditioner)
- Install the detector at proper height on a rigid surface. Do not install the detector on vibrating surface.
- PIR detector is more sensitive to the motions “across” the detection zones than “toward” or “away”.

## Detection pattern



## Range and mount height



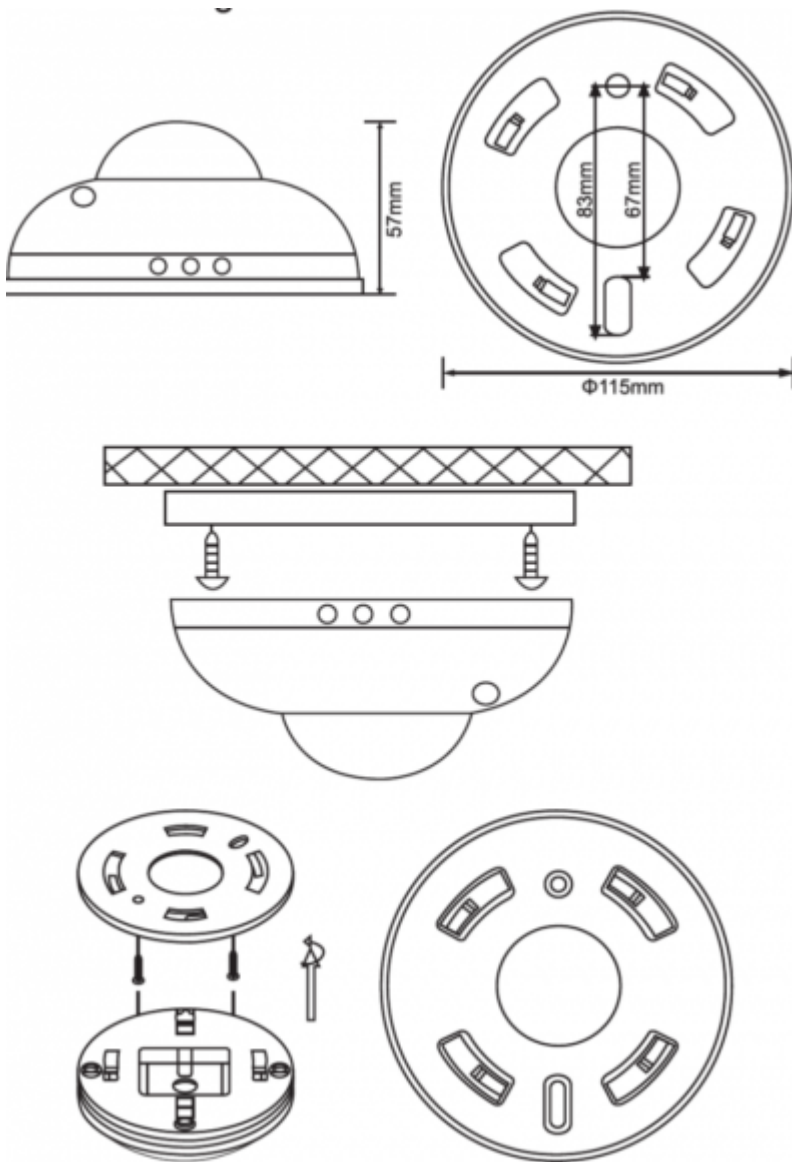
## Technical specifications

Power supply	24 VDC
Temperature	-20°C ~ 40°C

## Terminals

Power supply	+	Power supply
	-	
HIQ digital input	S	Digital output

## Dimensions and mounting



1. Separate the bottom-stand from the sensor body by turning it clockwise against the sensor body.
2. Pull the wires through the hole in the middle of the bottom-stand.
3. Fix the bottom-stand on the selected location with two screws as shown on the drawing.
4. Connect the wires.
5. Fix the sensor body on the bottom-stand and turn anti-clockwise.

From:  
<http://wiki.hiq-home.com/> -

Permanent link:  
[http://wiki.hiq-home.com/doku.php?id=en:ms\\_main:ir-a6-lc&rev=1590494298](http://wiki.hiq-home.com/doku.php?id=en:ms_main:ir-a6-lc&rev=1590494298)

Last update: **2020/05/26 11:58**



