

# Motion sensor DALI

## Passive infrared DALI detector ceiling recessed



Model number:	<b>IR-C12D-LC</b>
Connects to:	DALI
Mounting:	In ceiling
Dimensions:	90x90x40.54mm

## Applications

- Motion detector
- Ready light
- Intrusion detector
- Lighting control
- Hotel GRMS

## Features

- Aestetical look
- Easy mount
- Powered by DALI bus
- Simple Group Assignment Via Rotary Switch
- High sensitivity PIR sensor

## General description

A passive infrared detector with sleek and compact housing on DALI system.

## Installation instruction

- Do not install the detector at position which faces direct or reflected sunlight or near windows with direct car headlight.
- Ensure that there are no obstructions (plants, screens, furniture etc.) in the field of view that may cause incorrect cover/operation of the detector.
- Avoid locating the detector in areas that contain equipment that may change the environment temperature rapidly (i.e. above radiator or under the air-conditioner)
- Install the detector at proper height on a rigid surface. Do not install the detector on vibrating surface.
- PIR detector is more sensitive to the motions “across” the detection zones than “toward” or “away”.

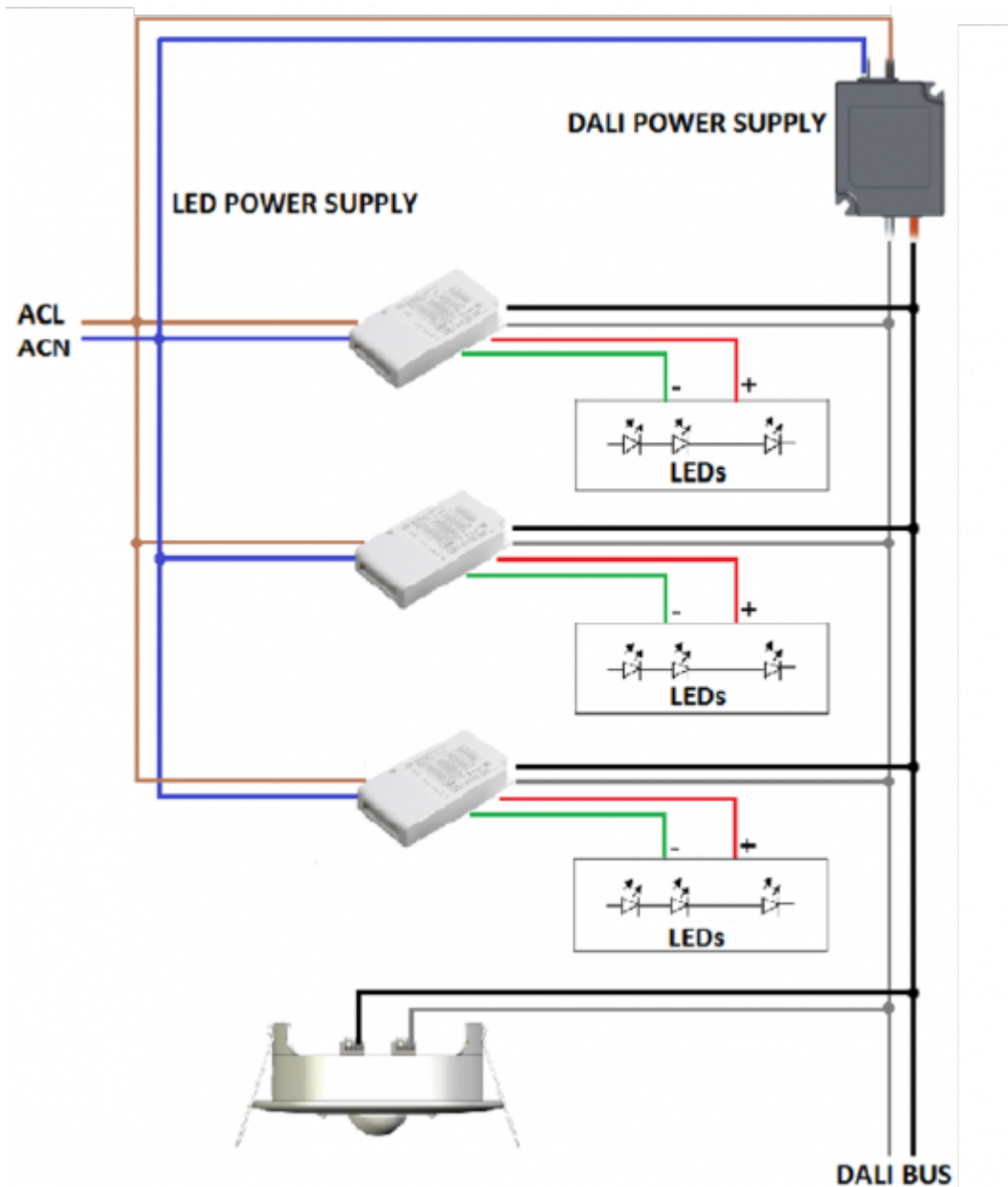
## Range



# Technical specifications

Current draw	10 mA from DALI bus
Temperature	0°C ~ 50°C
Operating humidity	10%-80% RH Non-Condensing
Connecting Wires	0.5~1.5 mm <sup>2</sup> , solid or stranded wire
Weight	58g

# Installation



# Terminals

DALI	+
DALI	-

From:

<http://wiki.hiq-home.com/> -

Permanent link:

[http://wiki.hiq-home.com/doku.php?id=en:ms\\_main:ir-c12d-lc&rev=1606054439](http://wiki.hiq-home.com/doku.php?id=en:ms_main:ir-c12d-lc&rev=1606054439)

Last update: **2020/11/22 14:13**

