

2 relay outputs 16 A

Model number:	O2-IQ
Mounting:	in-wall, in junction box behind scene buttons
Dimensions:	50×50×15mm



Applications

- remote lighting circuits
- remote sockets or blinds

Features

- 2 relay outputs 16 A
- 2 mains sense inputs * configurable button action:

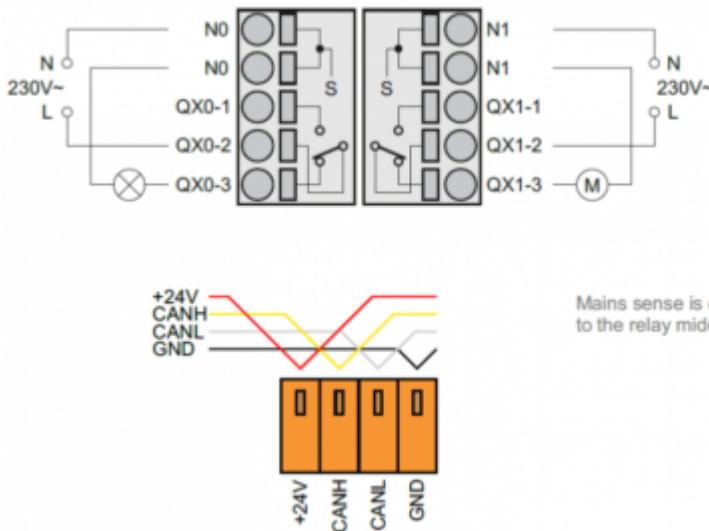
General description

O2 is in wall compact remote input module. Any kind of push-button design can be used.

Technical specification

Outputs:	relay 16 A/250 VAC resistive
Power supply:	24V/60mA
Ingress protection:	IP20
Operating temperature:	0..45°C
Storage temperature:	-20..75°C
Relative humidity:	0..95% n/c
Standards:	EN 60730-1

Terminals



From:
<https://wiki.hiq-universe.com/> -

Permanent link:
https://wiki.hiq-universe.com/doku.php?id=en:ms_main:o2-iq

Last update: **2020/04/21 04:28**

