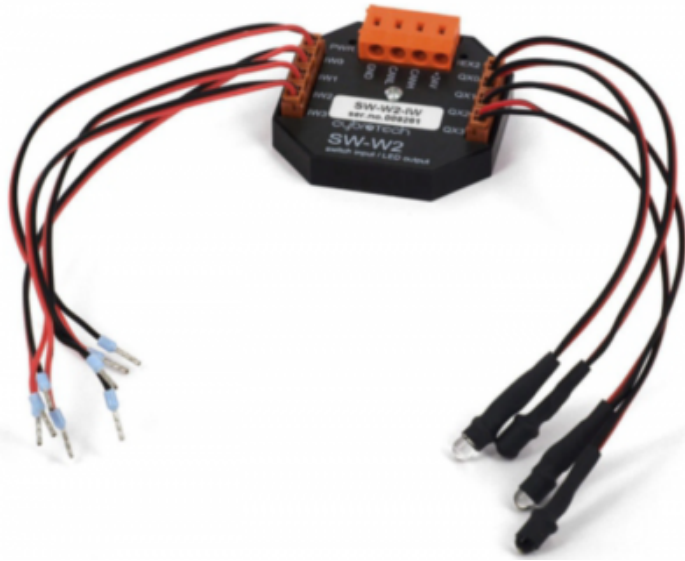


4 switch or potentiometer input



| | |
|---------------|---|
| Model number: | SW-W3-IQ |
| Mounting: | in-wall, in junction box behind scene buttons |
| Dimensions: | 50×50×15mm |

Applications

- 4 Push buttons or Motion sensor inputs
- Individual light / dimmer button
- Blinds up/down button

Features

- configurable button action:
 - on/off
 - dimmer push button (on/off and 0..100%)
 - blinds up/down

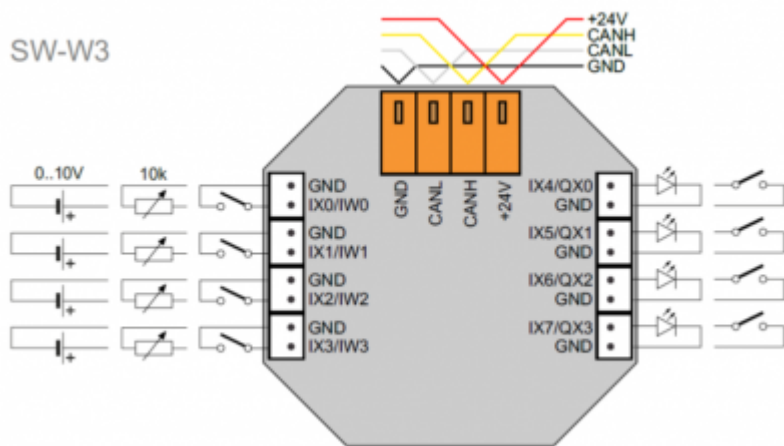
General description

SW-W3-IQ is in wall compact remote input module. Any kind of push-button design can be used.

Technical specification

| | |
|------------------------|----------------------------|
| LED outputs: | 10 mA, PWM dimmable |
| Inputs: | internal pull-up 12V, 2 mA |
| Power supply: | 24V/35mA |
| Ingress protection: | IP20 |
| Operating temperature: | 0..45°C |
| Storage temperature: | -20..75°C |
| Relative humidity: | 0..95% n/c |

Terminals



From: <https://wiki.hiq-home.com/> -

Permanent link: https://wiki.hiq-home.com/doku.php?id=en:ms_main:sw-w3&rev=1587442079

Last update: 2020/04/21 04:07

