

# Smart WiFi thermostat

## Smart WiFi thermostat



Model number:	<b>TH-W-01B</b>
Mounting:	In-wall flush box
Dimensions:	86×86×40 mm

## Applications

- room / zone WiFi thermostat

## Features

- cooling
- fan options:
  - 3 speed
  - hand/auto
  - weekly
- on/off valve control

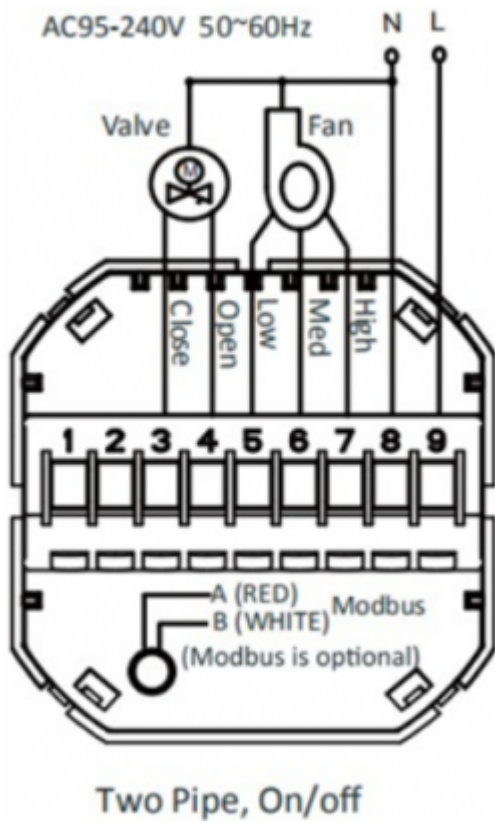
## General description

Can be used for any heating and/or cooling system including with fan-coils. TH series provide maximum comfort and energy saving functionality. Set-points are selectable on the unit or through other devices. Advanced functionality including smart-phone operation, internet operation, scheduling, HIQ automations, automatic weather response and more are provided when connected to HIQ Home Controller and HIQ universe.

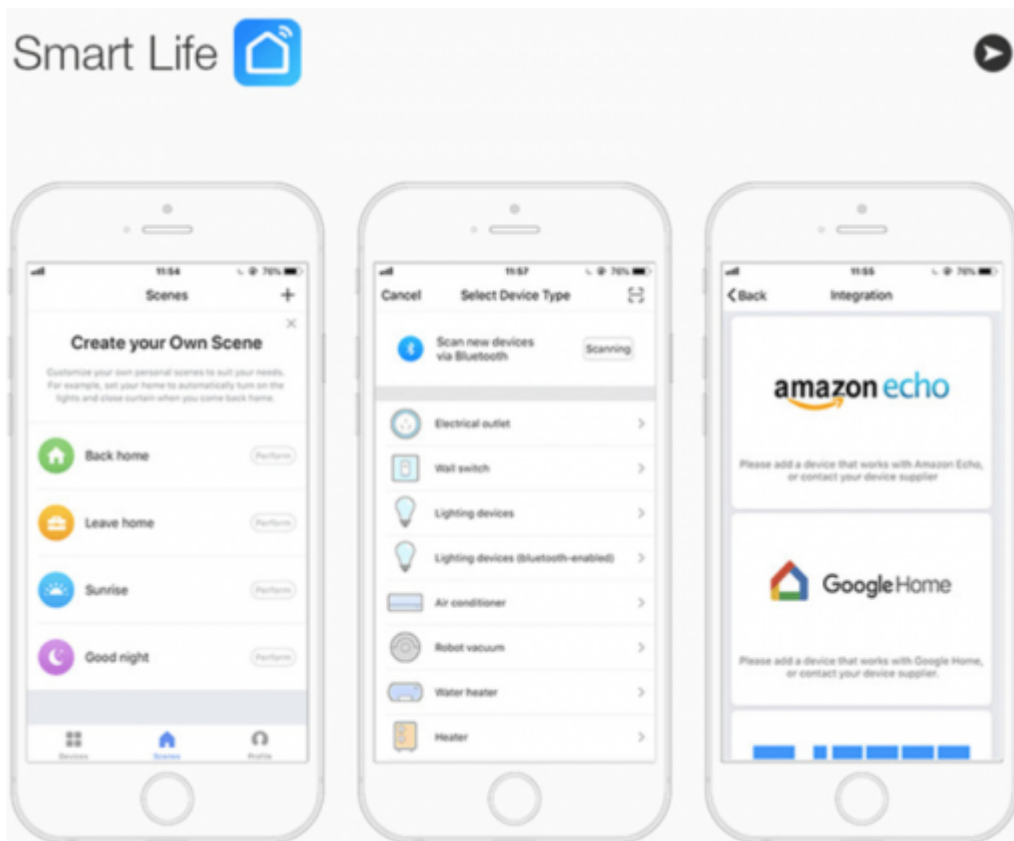
## Technical specification

Power supply:	95-240V,50/60Hz
Ingress protection:	IP20
Operating temperature:	0..55°C
Storage temperature:	-20..75°C
Relative humidity:	0..95% n/c
Installation box:	EU 60 Round box or 86 Box

# Terminals



# Wi-Fi enabled



From:

<http://wiki.hiq-home.com/> -

Permanent link:

[http://wiki.hiq-home.com/doku.php?id=en:ms\\_main:th-w-01b&rev=1620719015](http://wiki.hiq-home.com/doku.php?id=en:ms_main:th-w-01b&rev=1620719015)

Last update: **2021/05/11 07:43**

