

Motion sensor

Body temperature scanning device and mask wearing check



Model number:	TMS-8-3S
---------------	-----------------

Applications

- Body temperature screening
- Mask wearing check
- Face recognition

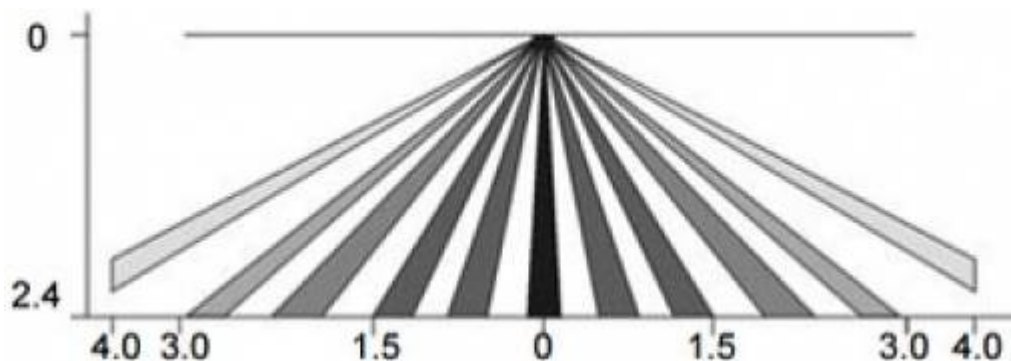
Features

• Support real time live detection • Support body temperature measurement and high temperature alarm • Support temperature data interface protocol docking • Support tracking of personnel movements under strong backlight conditions • Unique live face recognition algorithm to accurately recognize faces, face recognition time is less than 0.5s • Using Linux operating system, better system stability • The camera uses H.265 Main Profile encoding, compatible with NVR and other storage devices through the ONVIF protocol • Support TF card storage, pictures are stored continuously for 1 year or longer (depends on TF card capacity) • Mean time between failures MTBF>50,000 H • IP65 waterproof and dust proof • Support 24,000 face matching library and 160,000 face recognition records • Rich interface protocol, support TCP/IP, UDP, RTP, RTSP, RTCP, HTTP, DNS, DDNS, DHCP, SMTP, UPNP, MQTT protocol, Windows/Linux • Built-in light sensor, automatically adjust the opening and closing of the fill light • Rich hardware interface □I/O, WG26, WG34, RJ45, USB, RS485□ • 8-inch IPS full-view HD display, no streaking and delay • Support automatic gain control and automatic white balance • 3D noise reduction and fog-passing technology makes the monitoring picture under low illumination more clear • Support code stream and I frame interval setting • Support video area partial blocking • Support ROI coding • Support setting maximum exposure time • Support 2D noise reduction, 3D noise reduction • Support recording schedule time period and upload mode setting • Support video brightness, contrast, hue, saturation, gamma adjustment • Support setting the maximum auto exposure time • Support face intelligent exposure, face smart enhancement settings • Support QR code scanning • Temperature measurement accuracy $\pm 0.3^{\circ}\text{C}$ • Resolution 0.1°C • Temperature measurement distance $\leq 30\text{cm}$ • Response time 300ms

Installation instruction

- Do not install the detector at position which faces direct or reflected sunlight or near windows with direct car headlight.
- Ensure that there are no obstructions (plants, screens, furniture etc.) in the field of view that may cause incorrect cover/operation of the detector.
- Avoid locating the detector in areas that contain equipment that may change the environment temperature rapidly (i.e. above radiator or under the air-conditioner)
- Install the detector at proper height on a rigid surface. Do not install the detector on vibrating surface.
- PIR detector is more sensitive to the motions “across” the detection zones than “toward” or “away”.

Range and detection pattern



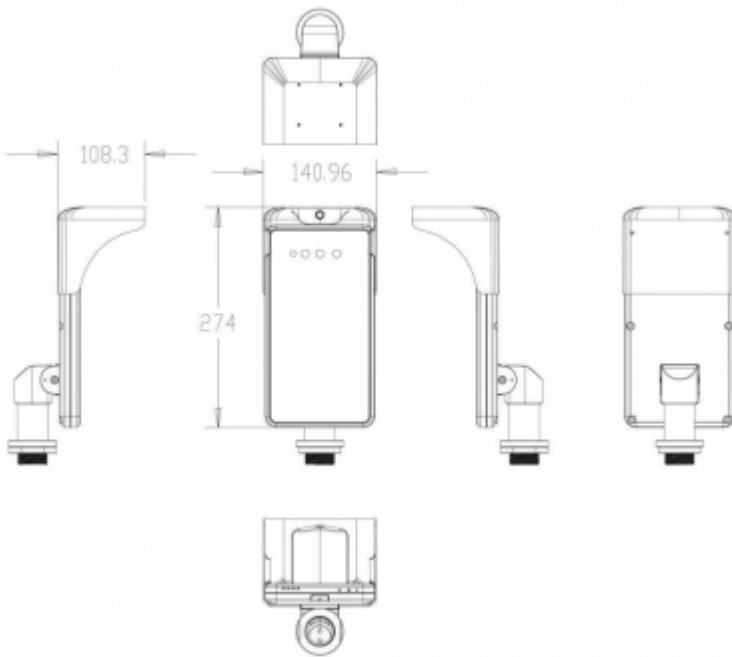
Technical specifications

Power supply	24 VDC
Temperature	-20°C ~ 40°C
Range	7 m

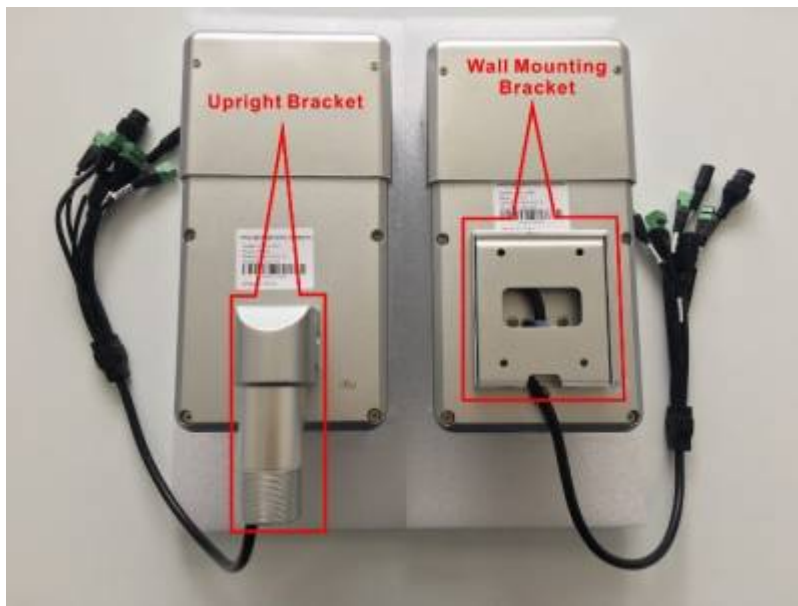
Terminals

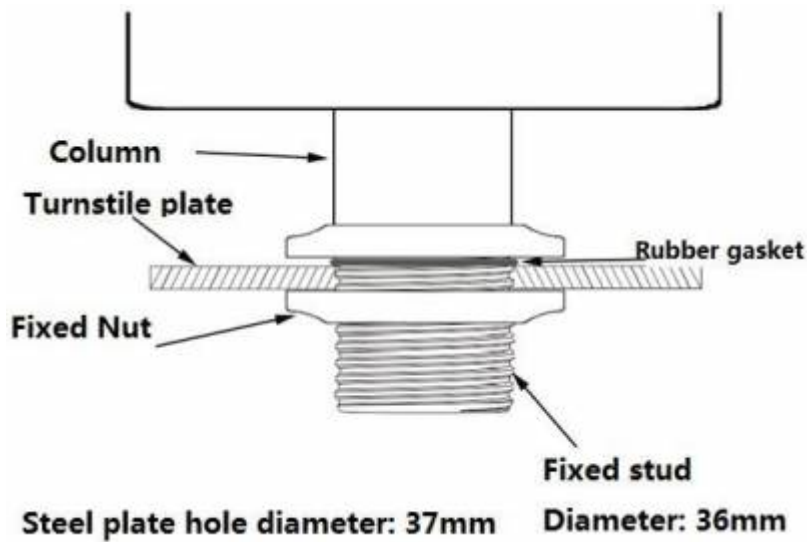
Power supply	+	Brown
	-	Blue
HIQ digital input	Out	Red

Dimensions



Mounting





1. Separate the bottom-stand from the sensor body by turning it clockwise against the sensor body.
2. Pull the wires through the hole in the middle of the bottom-stand.
3. Fix the bottom-stand on the selected location with two screws as shown on the drawing.
4. Connect the wires.
5. Fix the sensor body on the bottom-stand and turn anti-clockwise.

From:
<https://wiki.hiq-home.com/> -

Permanent link:
https://wiki.hiq-home.com/doku.php?id=en:ms_main:tms-8-3s&rev=1589989508

Last update: **2020/05/20 15:45**

