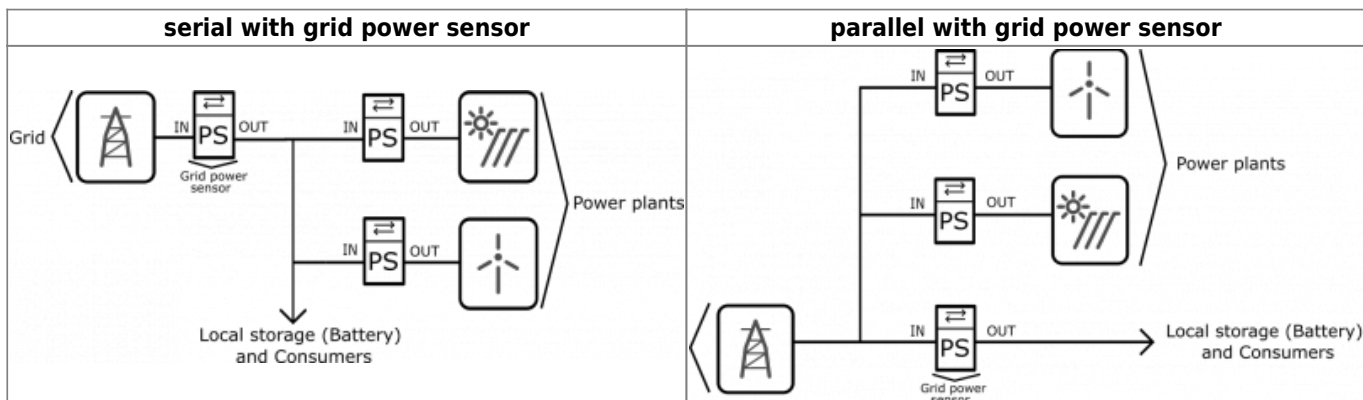


Power plant connection

The power plants can be connected to the grid in two ways:



When configuring the power plant, select

- **in**: serial (**i**nternal) with grid power sensor
- **ex**: parallel (**e**xternal) with grid power sensor

The power plants are configured as internal by default.

PV inverter

Obtaining relevant data from photovoltaic is possible by two ways:

1. adding power-sensor to measure produced electricity by PV (no connection to interver). How to add power sensor please see [Power Sensor](#)
2. connecting PV inverter by Modbus TCP to EVSE (only for SolarEdge inverters)

PV inverter over Modbus TCP

- **Connect** communication bus (to only one power-sensor)
- In HEMS Configurator power-sensor should appear as a “new device”
- Press and hold the push-button on the power-sensor until it appears **-Set-** on display
- In HEMS Configurator click on the “**add**” button next to the source or consumer that the sensor is measuring
- Connect communication bus to the next power-sensor and repeat procedure

From:
<http://wiki.hiq-home.com/> -

Permanent link:
http://wiki.hiq-home.com/doku.php?id=en:robotina_charger:commissioning:pv_inverter&rev=1670583918

Last update: **2022/12/09 11:05**

