

HEMS controller

Advanced HEMS controller



Model number:	HC-IQ
Mounting:	DIN rail, 6M, 106mm
Dimensions:	106x108x58mm

Safety standards

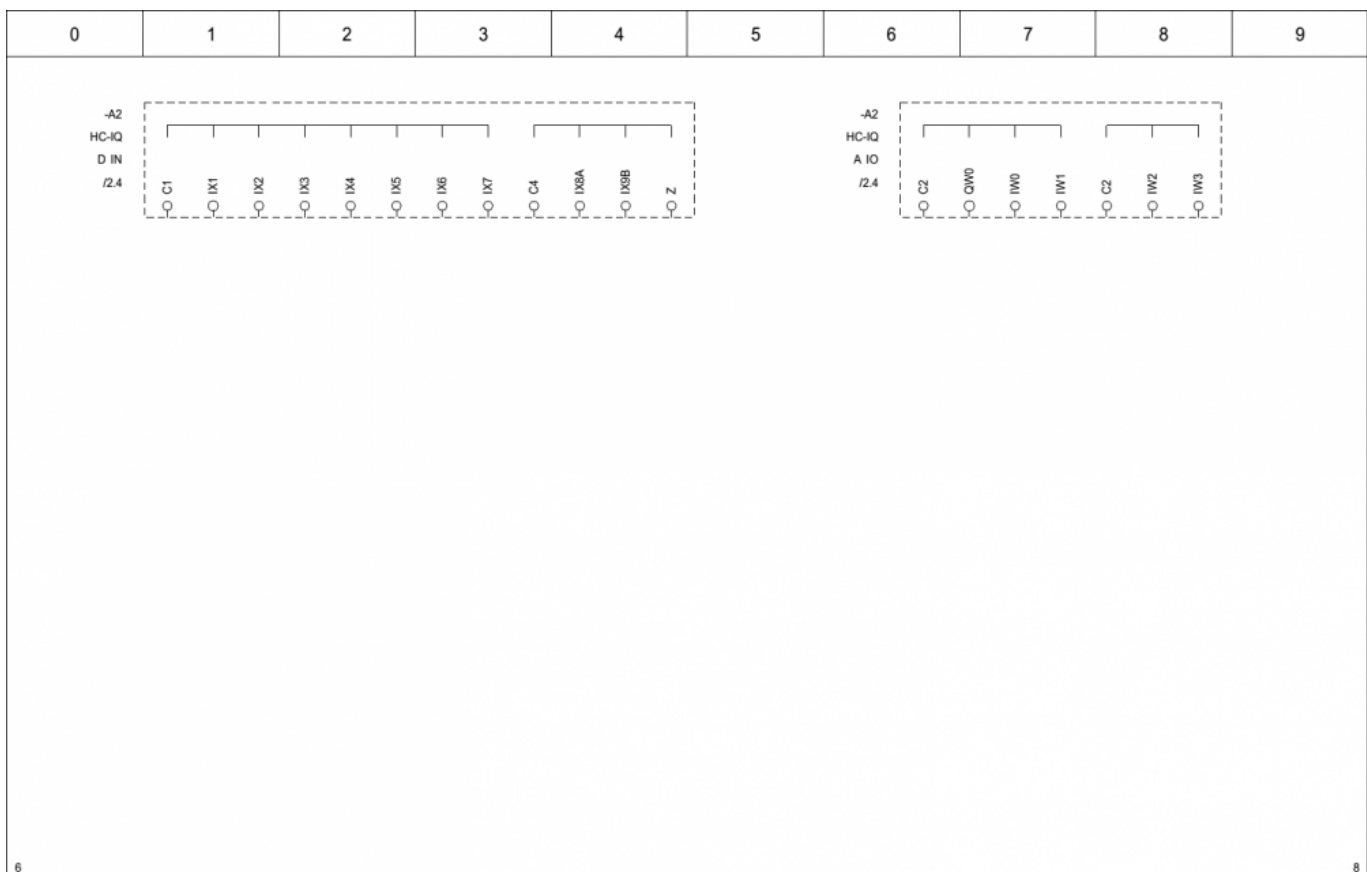
EN 50081-1, EN 61000-6-2, EN 61131-1, EN 61131-2, EN 61000-3-2, EN 61000-3-3

Technical specification

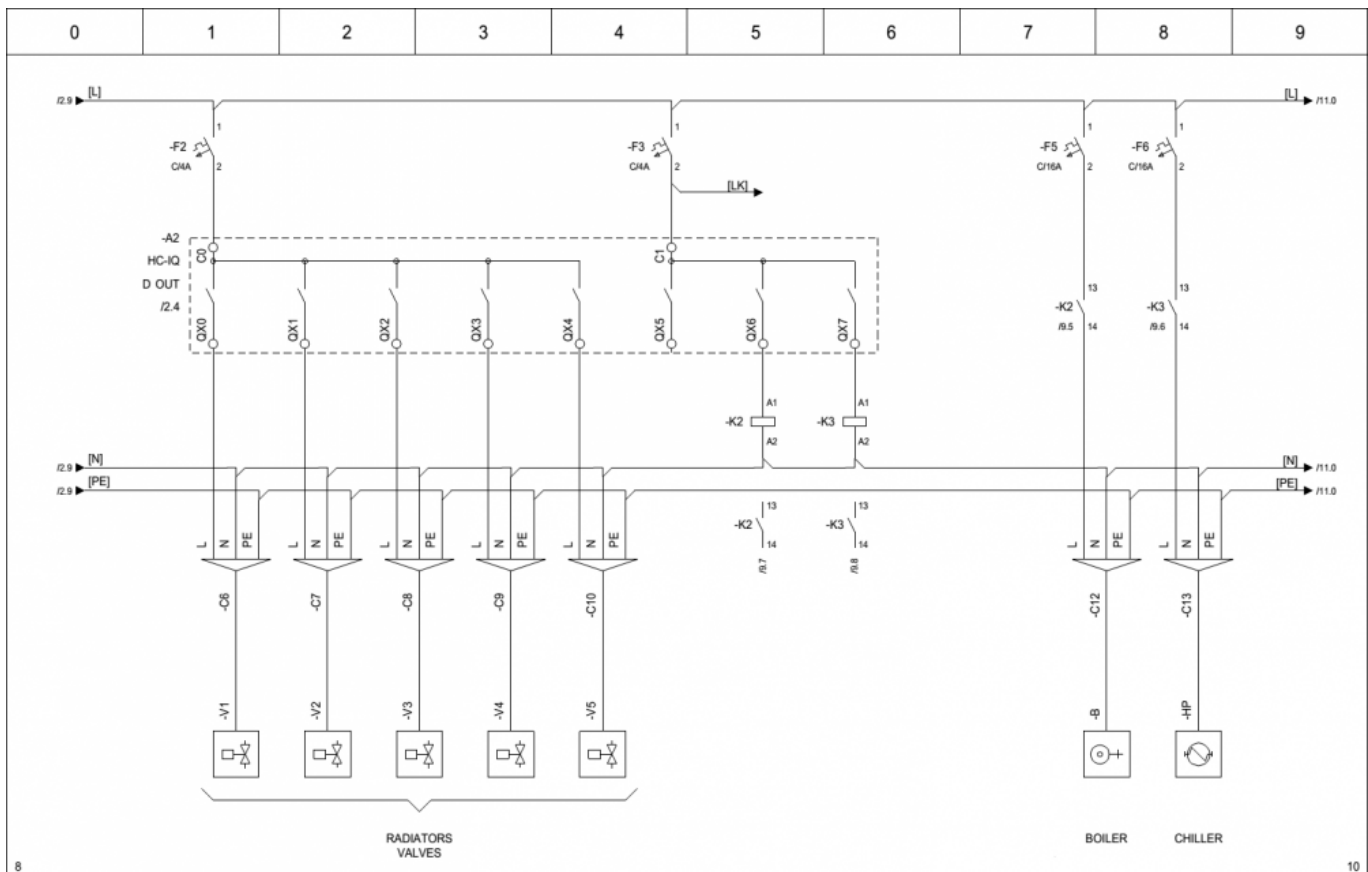
Relay outputs:	3A/250V
Communication:	Ethernet, 2x RS232, IEX bus
Nominal power rating:	24V(19-28VDC)
Power consumption	typ. 4W (CPU, no external load)
	typ. 5W (CPU + 8 relays, no external load)
Power output (24V at IEX-2):	2A
Weight gross:	400g
Ingress protection:	IP20
Operating temperature:	0..45°C
Storage temperature:	-20..75°C
Relative humidity:	0..95% n/c


Terminals

Power supply 24 V DC	24V	1	Power supply input	Power supply output	19	24V
	0V	2			20	0V
		3		Digital inputs 0-7 common	21	C3
Load power supply	C0	4	Relay outputs 0-4 common	Digital input 0	22	IX0
Load 0	QX0	5	Relay output 0	Digital input 1	23	IX1
Load 1	QX1	6	Relay output 1	Digital input 2	24	IX2
Load 2	QX2	7	Relay output 2	Digital input 3	25	IX3
Load 3	QX3	8	Relay output 3	Digital input 4	26	IX4
Load 4	QX4	9	Relay output 4	Digital input 5	27	IX5
Contactor power supply	C1	10	Relay outputs 5-7 common	Digital input 6	28	IX6
AC contactor	QX5	11	Relay output 5	Digital input 7	29	IX7
Boiler contactor	QX6	12	Relay output 6	Digital inputs 8-9 common	30	C4
Chiller contactor	QX7	13	Relay output 7	Digital input 8 / HSC A	31	IX8A
		14		Digital input 8 / HSC B	32	IX9B
	QW0	15	Analog output 0	HSC Z	33	Z
	IW0	16	Analog input 0	Analog inputs & outputs common	34	C2
	IW1	17	Analog input 1	Analog input 2	35	IW2
	C2	18	Analog inputs & outputs common	Analog input 3	36	IW3



Rev	Revision text	Signature	Date	Last changed by GK Last changed 11/8/2015 Prior date 14/9/2015	Robotina d.o.o. OIC Kozina 38 SI-6240 Kozina	HC-IQ Automation HC-IQ Inputs HIQ wiring	Drawing number 001 Pages 17	Installation = Location + Page number 7
-----	---------------	-----------	------	---	--	--	-----------------------------------	---



8			10					
Rev	Revision text	Signature	Date	Last changed by GK Last changed 12/8/2015 File no. 14/9/2015	 Robotina d.o.o. OIC Kozina 38 SI-6240 Kozina	HC-IQ Automation HC-IQ Outputs HIQ wiring	Drawing number 001 Pages 17	Installation = Location + Page number 9

From:
<http://wiki.hiq-home.com/> -

Permanent link:
http://wiki.hiq-home.com/doku.php?id=hiq_energy:hiq_hems:hardware:hems-hc-iq&rev=1508844521

Last update: 2017/10/24 11:28

