

OP-8 Touch operator panel

IEX-2 MODULE



Model number:	OP-8-B	Black tempered glass
	OP-8-W	White tempered glass
	OP-8C-B	Display support characters in Cyrillic, Black tempered glass
	OP-8C-W	Display supports characters in Cyrillic, White tempered glass
Mounting:	M4 installation box, wall (order code OP-8 Wall Kit)	
Dimensions:	144x80x7mm	

Features

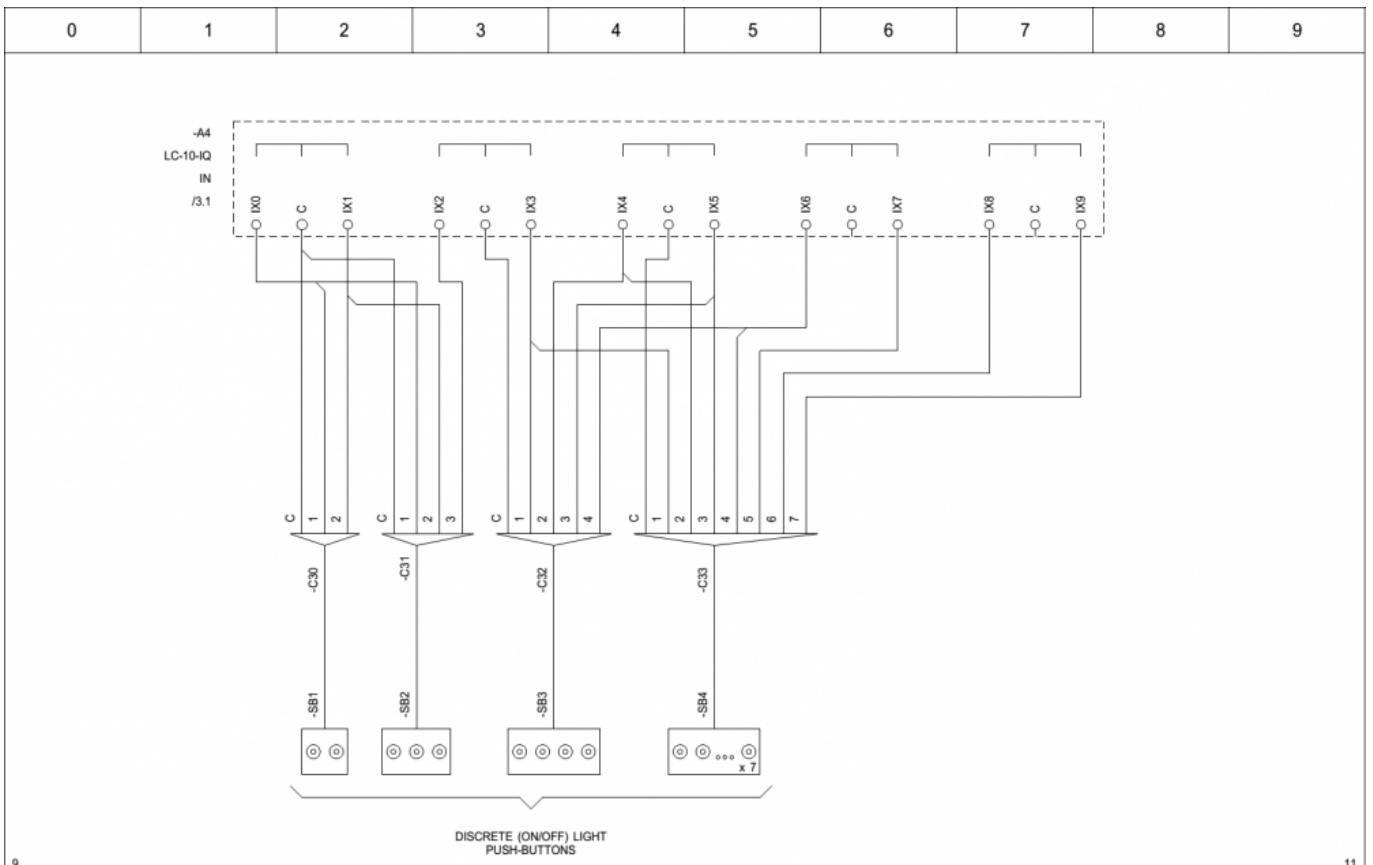
- IEX-2 module
- Touch operator panel
- LCD display 2×20 characters
- LCD display white/blue
- Temperature sensor
- Humidity sensor
- Light sensor
- IR receiver
- Beeper
- 1 switch/potentiometer input
- 1 temperature sensor input

Technical specifications

Display	LCD 2×20 characters
Characters size	3x5mm
Keys	5 touch keys, tactile feedback
Backlight	blue LED, adjustable 0...100%
IR receiver	RC5 36kHz, receiving distance 5m
Input type	dry contact, internal pull-up 12V 2mA, analog input 0...10V (10bit, 0..1023)
Temperature measurement	from 0°C to +50°C
error:	0.5°C typ.(0°C to +50°C, backlight at 20%)
resolution:	0.1°C (12bit)
readout:	0.1°C (254 equals 25.4°C)
Humidity measurement:	from 0 to 100%rh, non-condensing
error:	2% rh @25°C
response time:	15s
stability:	1% rh @ 50% rh in 5 years
resolution:	1% (7 bit)
readout:	1% rh (45 equals 45% rh)
External temperature sensor:	ES-P, ES-B or ES-W
Power supply:	24V (18..28V) 50mA
Degree of protection:	IP20
Operating conditions:	0..50°C, 0..85% rh non-condensing
Storage temperature:	-20..75°C
Mounting:	M4 installation box or wall
Dimensions:	144x80x7mm
Weight:	200g
Level of ambient pollution:	2
Standards:	EN 60730-1

Terminals

Lights power supply	L	1	Relay outputs common	Power supply	19	24V	+24 VDC power supply
	L	2			20	0V	0 VDC power supply
		3			21		
Light 0 live	QX0	4	Relay output 0	Digital input 0	22	IX0	Light 0 push-button
		5			23		
Light 1 live	QX1	6	Relay output 1	Digital input 1	24	IX1	Light 1 push-button
Light 2 live	QX2	7	Relay output 2	Digital input 2	25	IX2	Light 2 push-button
		8			26		
Light 3 live	QX3	9	Relay output 3	Digital input 3	27	IX3	Light 3 push-button
Light 4 live	QX4	10	Relay output 4	Digital input 4	28	IX4	Light 4 push-button
		11			29		
Light 5 live	QX5	12	Relay output 5	Digital input 5	30	IX5	Light 5 push-button
Light 6 live	QX6	13	Relay output 6	Digital input 6	31	IX6	Light 6 push-button
		14			32		
Light 7 live	QX7	15	Relay output 7	Digital input 7	33	IX7	Light 7 push-button
Light 8 live	QX8	16	Relay output 8	Digital input 8	34	IX8	Light 8 push-button
		17			35		
Light 9 live	QX9	18	Relay output 9	Digital input 9	36	IX9	Light 9 push-button



Rev	Revision text	Signature	Date	Last changed by GK Last changed 11/8/2015 File name 12/8/2015	Robotina d.o.o. OIC Kozina 38 SI-6240 Kozina	HC-IQ Automation LC-10-IQ Inputs HIQ wiring	Drawing number 001 Pages 17	Installation = Location + Page number 10
-----	---------------	-----------	------	--	--	---	--------------------------------------	---

From:

<http://wiki.hiq-home.com/> -

Permanent link:

<http://wiki.hiq-home.com/doku.php?id=op-8&rev=1626080803>

Last update: **2021/07/12 09:06**

