

OP-8 Touch operator panel

IEX-2 MODULE



| | | |
|---------------|--|---|
| Model number: | OP-8-B | Black tempered glass |
| | OP-8-W | White tempered glass |
| | OP-8C-B | Display support characters in Cyrillic, Black tempered glass |
| | OP-8C-W | Display supports characters in Cyrillic, White tempered glass |
| Mounting: | M4 installation box, wall (order code OP-8 Wall Kit) | |
| Dimensions: | 144x80x7mm | |

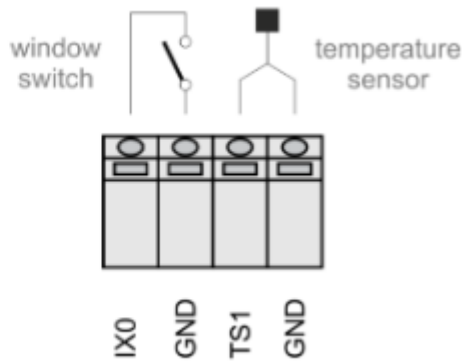
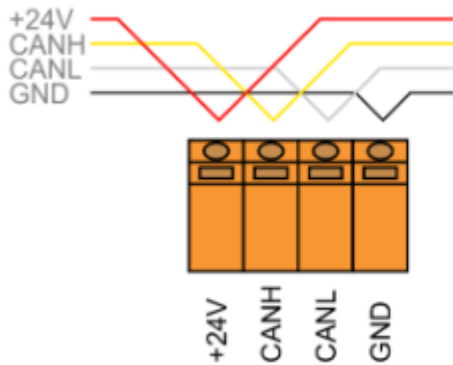
Features

- IEX-2 module
- Touch operator panel
- LCD display 2×20 characters
- LCD display white/blue
- Temperature sensor
- Humidity sensor
- Light sensor
- IR receiver
- Beeper
- 1 switch/potentiometer input
- 1 temperature sensor input

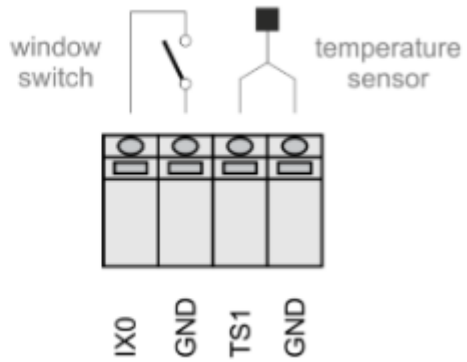
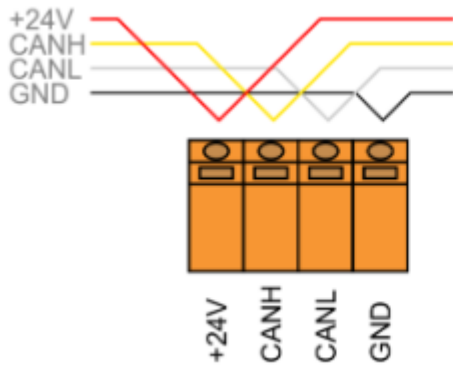
Technical specifications

| | |
|-------------------------------------|---|
| Display | LCD 2×20 characters |
| Characters size | 3x5mm |
| Keys | 5 touch keys, tactile feedback |
| Backlight | blue LED, adjustable 0...100% |
| IR receiver | RC5 36kHz, receiving distance 5m |
| Input type | dry contact, internal pull-up 12V 2mA, analog input 0...10V (10bit, 0..1023) |
| Temperature measurement | from 0°C to +50°C |
| error: | 0.5°C typ.(0°C to +50°C, backlight at 20%) |
| resolution: | 0.1°C (12bit) |
| readout: | 0.1°C (254 equals 25.4°C) |
| Humidity measurement: | from 0 to 100%rh, non-condensing |
| error: | 2% rh @25°C |
| response time: | 15s |
| stability: | 1% rh @ 50% rh in 5 years |
| resolution: | 1% (7 bit) |
| readout: | 1% rh (45 equals 45% rh) |
| External temperature sensor: | ES-P, ES-B or ES-W |
| Power supply: | 24V (18..28V) 50mA |
| Degree of protection: | IP20 |
| Operating conditions: | 0..50°C, 0..85% rh non-condensing |
| Storage temperature: | -20..75°C |
| Mounting: | M4 installation box or wall |
| Dimensions: | 144x80x7mm |
| Weight: | 200g |
| Level of ambient pollution: | 2 |
| Standards: | EN 60730-1 |

Terminals



Terminals



From:
<http://wiki.hiq-home.com/> -

Permanent link:
<http://wiki.hiq-home.com/doku.php?id=op-8&rev=1626083580>

Last update: **2021/07/12 09:53**

