

TVOC, Temperature and Humidity Sensor



| | |
|---------------|-------------------------------------|
| Model number: | RB-100-TVOC-TH |
| Mounting: | In-wall, dose |
| Dimensions: | 85 x 116 x 44 mm |
| Connection: | RS485 to HIQ MC controller or Cybro |
| Frame color: | Black |

Applications

- HVAC and indoor air monitoring
- Widely used in building automation
- Climate, ECO2 and HVAC signal collection

Features

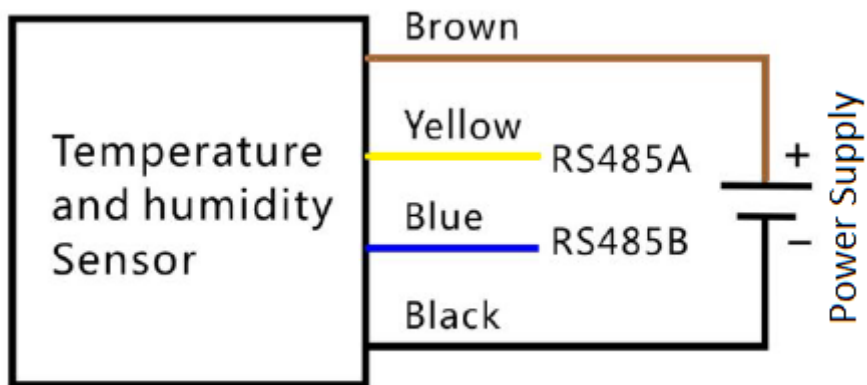
- High measurement accuracy
- Built-in high-performance microprocessor
- Multiple probes available
- Superior performance and long-term stability

Technical specifications

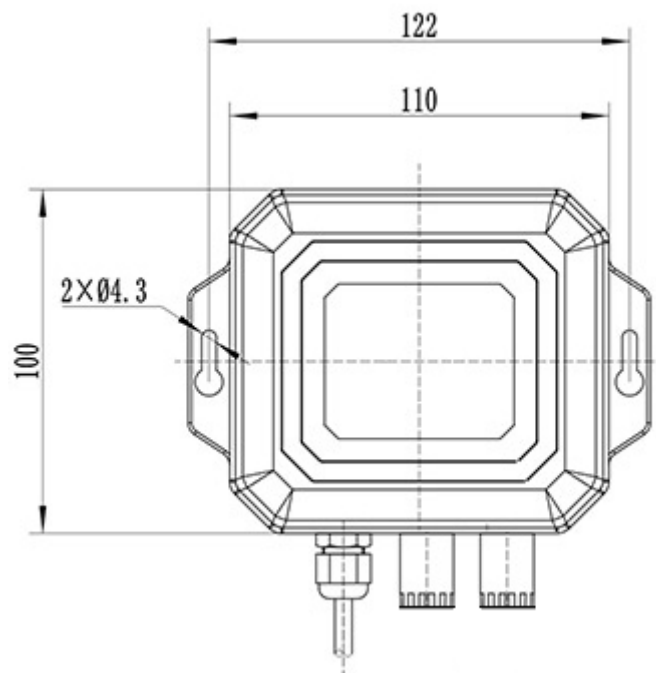
| | |
|-----------------|---|
| Power supply: | 10-30VDC Note: 0-10VDC output (limited to 24VDC Power Supply) |
| Signal output: | 4-20mA/0-5VDC/0-10VDC RS485 output (Modbus protocol) |
| Digital output: | Device address 1-255, default 1 |

| | |
|------------------------|--|
| | Device baud rate 2400, 4800, 9600 optional, default 4800 |
| | Byte format 8-bit data bit, 1 stop bit, no parity |
| CO2 Measuring | 0-100ppb |
| Equivalent CO2 | 400-5000ppm |
| Measuring temperature | -40°C to +80°C |
| Measuring humidity : | Relative humidity 0%-100% RH |
| Temperature accuracy : | 0.5°C (25°C) |
| Humidity accuracy : | 3% RH (5%RH-95%RH, 25°C) |
| Long-term stability : | Temperature < 0.1°C/year, Humidity <0.1%RH/year |
| Response time : | CO2 90% of the change in 2min, Temperature <18sec, Humidity < 6sec |

Wiring



Dimensions



From:
<http://wiki.hiq-home.com/> -

Permanent link:
http://wiki.hiq-home.com/doku.php?id=tvoc_temperature_and_humidity_sensor&rev=1669725727

Last update: **2022/11/29 12:42**

